

DO NOT DISCARD

PRO285E

 **WARNING!** POTENTIAL SHOCK HAZARD

This appliance is rated for
220-240 VAC – 50/60 Hz
2200 W



WARNING! Failure to follow the instructions in this manual could result in fire or burn hazard which could cause property damage, personal injury or death. Read and follow all warnings and instructions in this manual prior to operating grill.



WARNING!

- For Outdoor Household Use Only
- When using powered appliances, basic safety precautions, including the following, should always be followed to reduce the risk of fire, electric shock, personal injury and material damage.
- Retain this manual for future reference.



N415-0478E MAR 14.19

Wolf Steel Europe BV
Poppenbouwing 29-31, 4191 NZ Geldermalsen,
CCI No. 51509970, THE NETHERLANDS
info@napoleongrills.nl

www.napoleon.com

EN

CZ
PG.13

SK
PG.25

PL
PG.37

HR
PG.49

SI
PG.61

Napoleon President's 10 Year Limited Warranty



NAPOLEON products are designed with superior components and materials, and are assembled by trained craftsmen who take great pride in their work. This grill has been thoroughly inspected by a qualified technician before packaging and shipping to ensure that you, the customer, receive the quality product you expect from NAPOLEON.

NAPOLEON warrants that components in your new NAPOLEON product will be free from defects in material and workmanship from the date of purchase, for the following period:

Aluminum castings / stainless steel base	10 years
Porcelain-enameled grease shield	5 years full coverage, plus 50% off until the 10th year
Porcelain-enameled cast iron cooking grids	5 years full coverage, plus 50% off until the 10th year
Heating element and thermostat	2 years
All other parts	2 years

*Conditions and Limitations

This Limited Warranty creates a warranty period as specified in the aforementioned table, for any product purchased through an authorized NAPOLEON dealer, and entitles the original purchaser to the specified coverage in respect of any component replaced within the warranty period, either by NAPOLEON or an authorized NAPOLEON dealer, to replace a component of such product that has failed in normal private use as a result of a manufacturing defect. The "50% off" indicated in the table means the component is made available to the purchaser at a 50% discount off the regular retail price of the component for the period indicated. This Limited Warranty does not cover accessories or bonus items.

For greater certainty, "normal private use" of a product means that the product: has been installed by a licensed, authorized service technician or contractor, in accordance with the installation instructions included with the product and all local and national building and fire codes; has been properly maintained; and has not been used as a communal amenity or in a commercial application.

Similarly, "failure" does not include: over-firing, blow outs caused by environmental conditions such as strong winds or inadequate ventilation, scratches, dents, corrosion, deterioration of painted and plated finishes, discoloration caused by heat, abrasive or chemical cleaners or UV exposure, chipping of porcelain enameled parts, or damages caused by misuse, accident, hail, grease fires, lack of maintenance, hostile environments such as salt or chlorine, alterations, abuse, neglect or parts installed from other manufacturers.

Should deterioration of parts occur to the degree of non-performance (rusted through or burnt through) within the duration of the warranted coverage, a replacement part will be provided. The replacement component is the sole responsibility of NAPOLEON defined by this Limited Warranty; in no event will NAPOLEON be responsible for installation, labor or any other costs or expenses related to the re-installation of a warranted part, for any incidental, consequential, or indirect damages or for any transportation charges, labor costs or export duties.

This Limited Warranty is provided in addition to any rights afforded to you by local laws. Accordingly, this Limited Warranty imposes no obligation upon NAPOLEON to keep parts in stock. Based on the availability of parts, NAPOLEON may at its discretion discharge all obligations by providing a customer a prorated credit towards a new product. After the first year, with respect to this Limited Warranty NAPOLEON may, at its discretion, fully discharge all obligations with respect to this warranty by refunding to the original warranted purchaser the wholesale price of any warranted but defective part(s).

The bill of sale or copy will be required together with a serial number and a model number when making any warranty claims from NAPOLEON. NAPOLEON reserves the right to have its representative inspect any product or part prior to honoring any warranty claim. You must contact NAPOLEON Customer Service or an authorized NAPOLEON dealer to obtain the benefit of the warranty coverage.



www.napoleon.com



WARNING! Read all instructions prior to operating.

Safe Operating Practices

- Use this grill only as described in this manual. Any other use not recommended in this manual may cause fire, electric shock, or injury to persons.
- This grill is intended for outdoor household use only. Do not use indoors or for commercial cooking.
- Do not in any way alter this product or its use.
- Do not use charcoal or other combustible fuels in this grill. This grill is not designed for charcoal use and a fire could result. The fire could create an unsafe condition and damage to the grill.
- Do not build this model of grill in any built-in or slide-in construction. Ignoring this warning could cause a fire or an explosion that may damage property or cause serious bodily injury or death.

Electrical Safeguards:

- This appliance conforms to technical standards and the safety requirements for electrical devices.
- Always ensure that the electrical outlet being used has the correct voltage according to the input power of the appliance. Outlets must also be suitable for equipment with a power consumption of 2200 Watts.
- Make sure no other high wattage appliances are plugged into the same circuit when using grill.
- The appliance should be connected to an outlet having an earthing contact.
- The electricity supply should be provided through a residual current device (RCD) having a rated residual operating current not exceeding 30 mA.
- Do not operate unit if plug receptacle is damaged.
- The power cord should be regularly examined for signs of damage, and the appliance is not to be used if the cord is damaged.
- Do not operate the grill with a temperature controller that has a damaged cord or plug. If the supply cord is damaged, it must be replaced by a special assembly available from Napoleon or a Napoleon authorized dealer.
- If using an extension cord, it must be designed for outdoor use and rated for the input power required by the appliance.
- Do not connect two or more extension cords together.

Safe Operation:

- Always plug the temperature controller into the grill before plugging the power cord into the outlet. When removing the temperature controller from the grill, unplug it from the outlet first.
- Pulling controller by the knob could cause it to come off. Remove temperature controller by gripping on its side.
- If a flare up occurs, do not use water to put out fire. Turn the grill to OFF. Unplug the power cord and wait for the grill to cool.
- Keep the plug and cord dry when in use. Do not use the electric grill in the rain.
- Operate grill only on a level, stable surface.
- Do not allow cord to touch grill when it is hot.
- The grease tray must be in place at all times during grill operation.
- Do not move the grill while it is in use.
- Do not leave grill unattended whenever in use.
- Keep young children, elderly and pets away while the grill is in use. Children must not play with the appliance.
- This appliance can be used by children aged from 8 years and above and persons with reduced physical, sensory or mental capabilities or lack of experience and knowledge if they have been given supervision or instruction concerning use of the appliance in a safe way and understand the hazards involved.
- Children should be supervised if cleaning and maintaining the grill.
- Do not use grill near combustible materials such as wood, dry grass, shrubs, etc.
- Do not allow grill to come into contact with flammable materials such as paper, walls, draperies, towels, chemicals, etc.
- Do not use the grill in high traffic areas. Locate power cord away from traffic areas.
- To protect the barbecue, do not use the grill within 3 m / 10 feet of pool, pond or other body of water.
- Do not use as a heater.
- Allow the appliance to cool before moving or storing it.

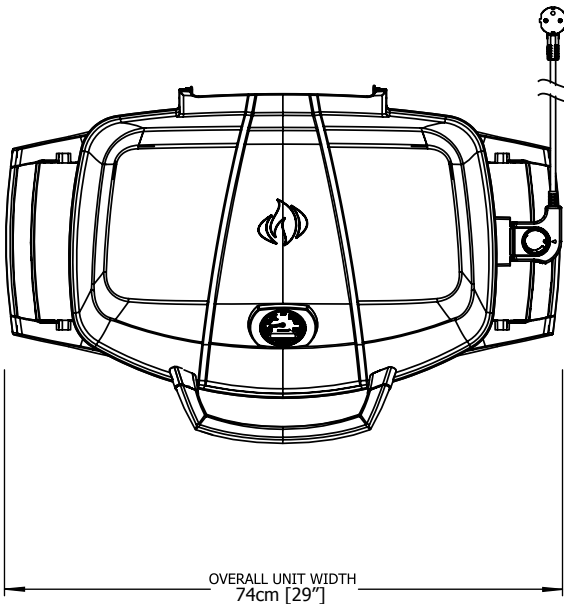
Cleaning:

- Clean the drip pan regularly.
- Do not immerse electrical components in water when cleaning.
- To protect against electrical shock, do not immerse plug, cord or temperature controller in water or any liquid.

Storage:

- Unplug the grill when not in use and keep the plug and cord dry.
- Do not leave temperature controller in the ON position during periods of non-use.
- Always store the temperature controller indoors when not in use.
- During long periods of non-use, remove the temperature controller from grill.

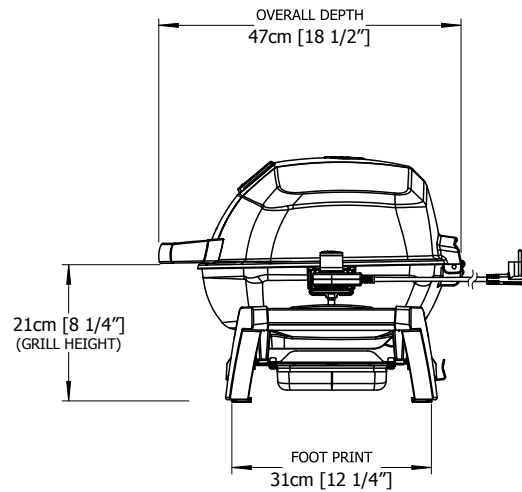
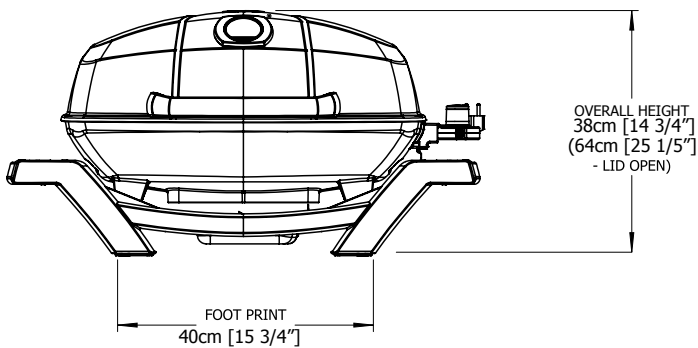
DIMENSIONS



PRO285E GRILL

GRILL SIZE: 37cm X 54cm (IRREGULAR) = 1840 cm² (14 1/2" X 21 1/4" (IRREGULAR) = 285 in²)

ALL DIMENSIONS ARE APPROXIMATE



CAUTION! During unpacking and assembly we recommended you wear work gloves and safety glasses for your protection. Although we make every effort to make the assembly process as problem free and safe as possible, it is characteristic of fabricated steel parts that the edges and corners might be sharp and could cause cuts if handled incorrectly.

Correct Disposal Of This Product



This marking indicates that this product should not be disposed with other household wastes throughout the EU. To prevent possible harm to the environment or human health from uncontrolled waste disposal, recycle it responsibly to promote the sustainable reuse of material resources. To return your used device, please use the return and collection systems or contact the retailer where the product was purchased. They can take this product for environmental safe recycling.

Cooking Instructions



WARNING! Do not use this grill under extended awnings. Failure to follow these instructions could result in a fire or personal injury.



DANGER! Allow the grill to cool to the touch before moving or storing. Failure to do so could result in a fire resulting in property damage, personal injury or death.

When lit for the first time, the grill will emit a slight odour. This is a normal temporary condition caused by the burning of internal paints and lubricants used in the manufacturing process and will not occur again. Simply run the thermostat on high with the lid open for approximately ½ hour. When cooking very lean meats, such as chicken breasts, or lean pork, the grids can be oiled before pre-heating to reduce sticking. Cooking meat with a high degree of fat content may create flare-ups. Either trim some fat or reduce temperatures to prevent this.

Grilling Chart

Preheat on HIGH for 15-20 minutes with a closed lid, then set to desired temperature. This is a guideline for cooking in outdoor temperature of 22°C.

To add a trademark taste to your cooking, try the Napoleon wood chip smoker as an optional accessory with mesquite- or hickory-flavoured wood chips.

Food	Control Setting	Cooking Time	Helpful Suggestions
Steak 2.54 cm (1 in.) thick	High setting, 2 min. each side	4 min. – Rare	When selecting meat for grilling, ask for marbled fat distribution. The fat acts as a natural tenderizer while cooking and keeps it moist and juicy.
	High setting, 2 min. each side then Medium setting	6 min. – Medium	
	High setting, 2 min. each side then Medium setting	8 min. – Well done	
Hamburger 1.27 cm (1/2 in.) thick	High setting, 2 min. each side	4 min. – Rare	Preparing hamburgers to order is made easier by varying the thickness of your patties.
	High setting, 2 1/2 min. each side	5 min. – Medium	
	High setting, 3 min. each side	6 min. – Well done	
Chicken pieces	High setting, 2 min. each side then Medium-Low to Low setting	20-25 min.	The joint connecting the thigh and the leg from the skinless side should be sliced 3/4 of the way through for the meat to lay flatter on the grill. This helps it to cook faster and more evenly.
Pork chops	Medium	6 min. per side	Trim off the excess fat before grilling. Choose thicker chops for more tender results.
Spare ribs	High setting for 5 minutes Low to finish	20 min. per side turn often	Choose ribs that are lean and meaty. Grill until meat easily pulls away from the bone.
Lamb chops	High setting for 5 minutes Medium to finish	15 min. per side	Trim off the excess fat before grilling. Choose extra thick chops for more tender results.
Hot dogs	Medium - Low	4-6 min.	Select the larger size wieners. Slit the skin lengthwise before grilling.

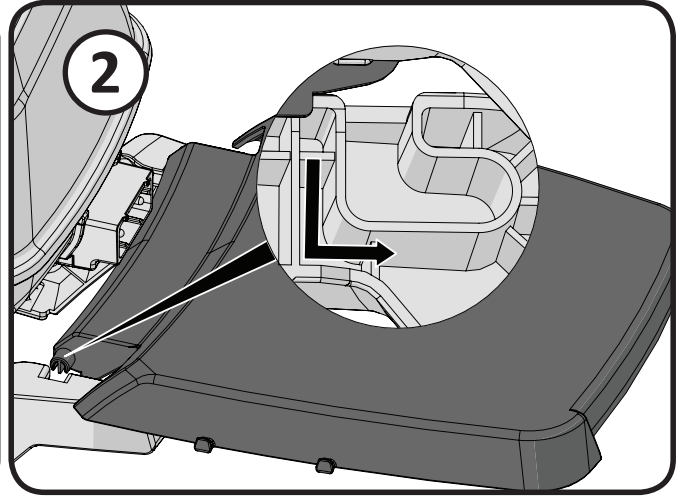
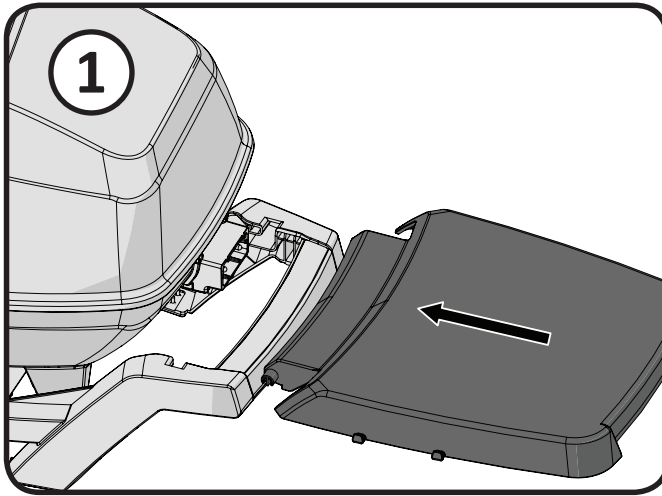
Troubleshooting

Problem	Possible Causes	Solution
No heat	Thermostat turned off. No power.	Turn thermostat to maximum setting. Ensure thermostat is fully seated in grill plate and properly plugged into outlet. Try another outlet. Check for tripped circuit breaker. Reset. Turn thermostat to maximum setting. Pre-heat grill with lid closed for 15-20 minutes.
	Faulty thermostat or grill plate.	Replace thermostat or grill plate.
Low heat.	Improper preheating	Preheat 15-20 minutes. Increase thermostat setting.
	Excessive buildup in base of grill.	Clean out excessive debris in base.
Excessive flare-ups/ uneven heat.	Excessive fat in meat.	Trim fat from meat before grilling.
	Excessive cooking temperature.	Adjust temperature as needed.
	Grease buildup.	Clean grill.
Circuit breaker trips or fuse blows.	Power surge	Turn controller to OFF position before plugging into electrical outlet.
	Another appliance plugged into same circuit as grill.	Do not use other electrical appliances on same circuit.
	Moisture or water in thermostat or electrical connections.	Keep thermostat and electrical components dry.

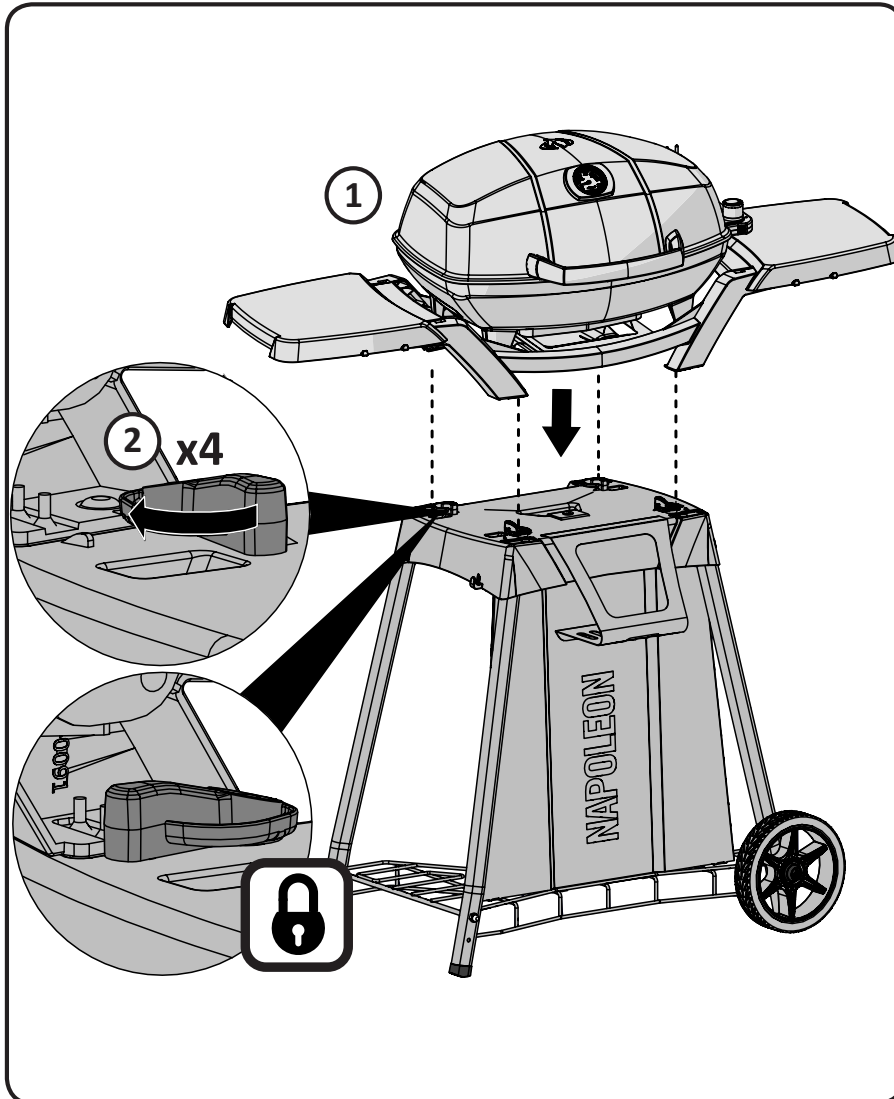


OPTIONAL SHELF

EN



OPTIONAL STAND





Cleaning Instructions

WARNING! Always wear protective gloves and safety glasses when servicing your grill.

WARNING! To avoid the possibility of burns, maintenance should be done only when the grill is cool. Avoid unprotected contact with hot surfaces. Ensure grill is turned off. Clean grill in an area where cleaning solutions will not harm decks, lawns, or patios. Do not use oven cleaner to clean any part of this grill. Do not use a self-cleaning oven to clean cooking grids or any other parts of the grill. Barbecue sauce and salt can be corrosive and will cause rapid deterioration of the grill components unless cleaned regularly.

Cast Iron Cooking Grids: The cast iron cooking grids supplied with your new grill offer superior heat retention and distribution. By regularly seasoning your grids you are adding a protective coating, which will aid in resisting corrosion and increase your grids non-stick capabilities.

First Time Use: Wash the cast iron grids by hand with mild dish soap and water to remove any residue from the manufacturing process (never wash in a dish washer). Rinse thoroughly with hot water and dry completely with a soft cloth. This is important to avoid moisture from entering the cast iron. When lit for the first time, the grill will emit a slight odour.

Seasoning: Using a soft cloth, spread VEGETABLE SHORTENING over the entire grid surface ensuring all grooves and corners are covered. Do not use salted fats such as butter or margarine. Pre-heat your grill for 15 minutes, then place the seasoned cooking grids in the grill. Turn the burner control knobs to medium with the lid closed. Allow the cooking grids to heat for approximately one-half hour. Turn the controller to OFF and let the cooking grids stand until cool. This procedure should be repeated several times throughout the season, although it is not required for daily use (follow daily usage procedure below).

Daily Usage: Before pre-heating and cleaning with a brass wire grill brush, coat the entire top surface of the cooking grids with vegetable shortening. Pre-heat the grill and then brush away any unwanted residue with a brass wire brush.

Cleaning Inside The Grill: Remove the cooking grids. Use a soft brass wire brush to clean loose debris from the insides of the lid. Brush all debris from inside the grill into the removable drip pan. Remove the base liner (drip pan grease catcher). Do not use abrasive cleaners to clean the porcelain base liner. To remove stubborn stains, soak in soapy water to loosen dirt. Clean with a non-abrasive cleaner and buff dry with a clean cloth. Ensure that the grill plate is placed properly when reinstalled.

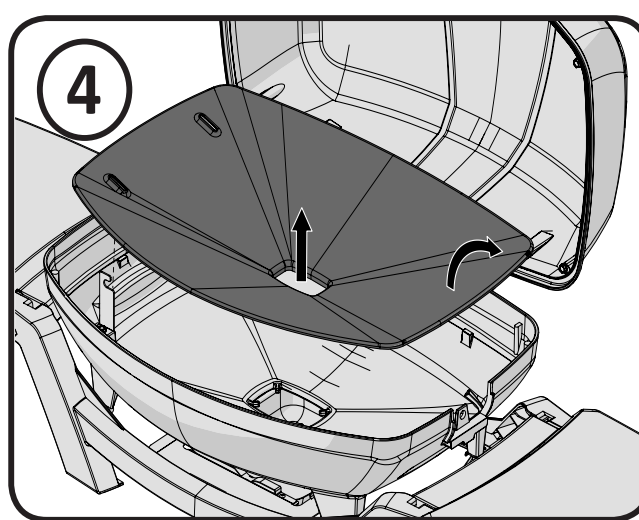
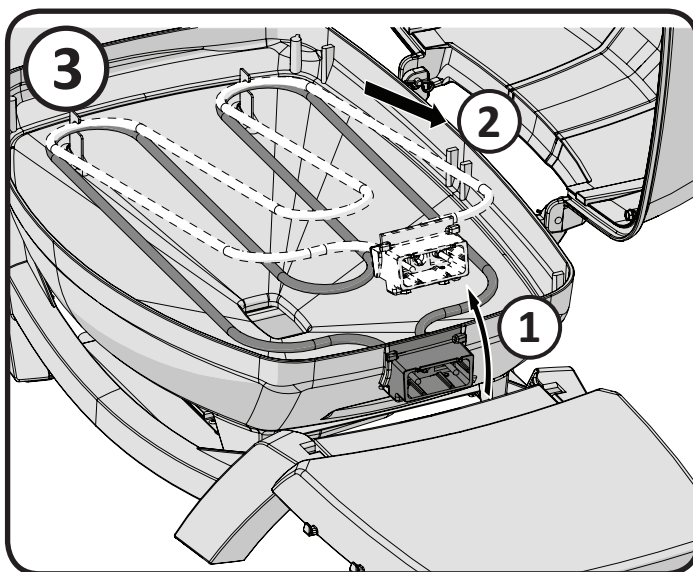
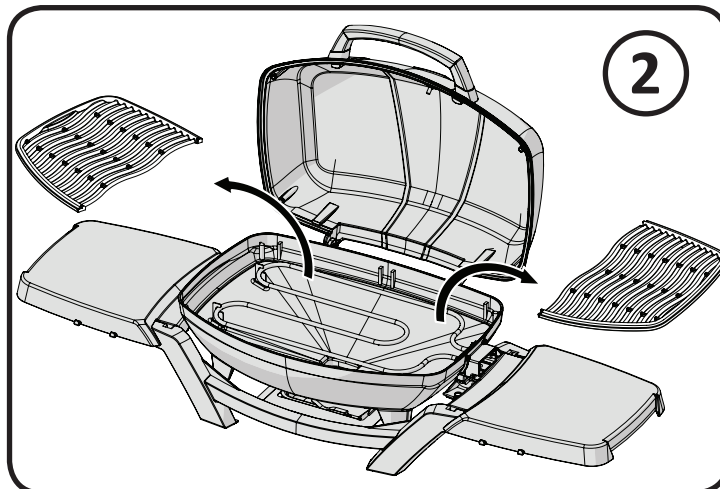
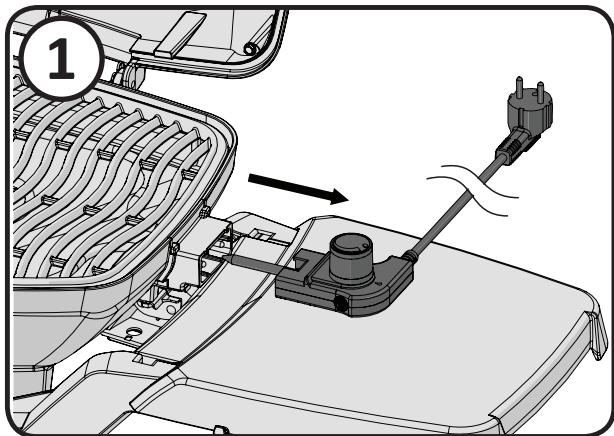
Drip Pan: Slide the drip pan out for easy cleaning. It should be cleaned frequently (every 4-5 uses) to avoid grease buildup. Grease and excess drippings accumulate in the drip pan located under the grill. Accumulated grease can cause a fire hazard. Do not line the drip pan with aluminum foil, as it can prevent the proper amount of air needed for burner to operate. The pan should be scraped out with a putty knife or scraper.

Cleaning the Outside of the Grill: Do not use any abrasive cleaners to clean painted parts. To protect the enamel finish, use a mild detergent with soft cloth or brush to wipe away and remove any acidic residue. Buff dry with a clean cloth.

Cleaning Steps

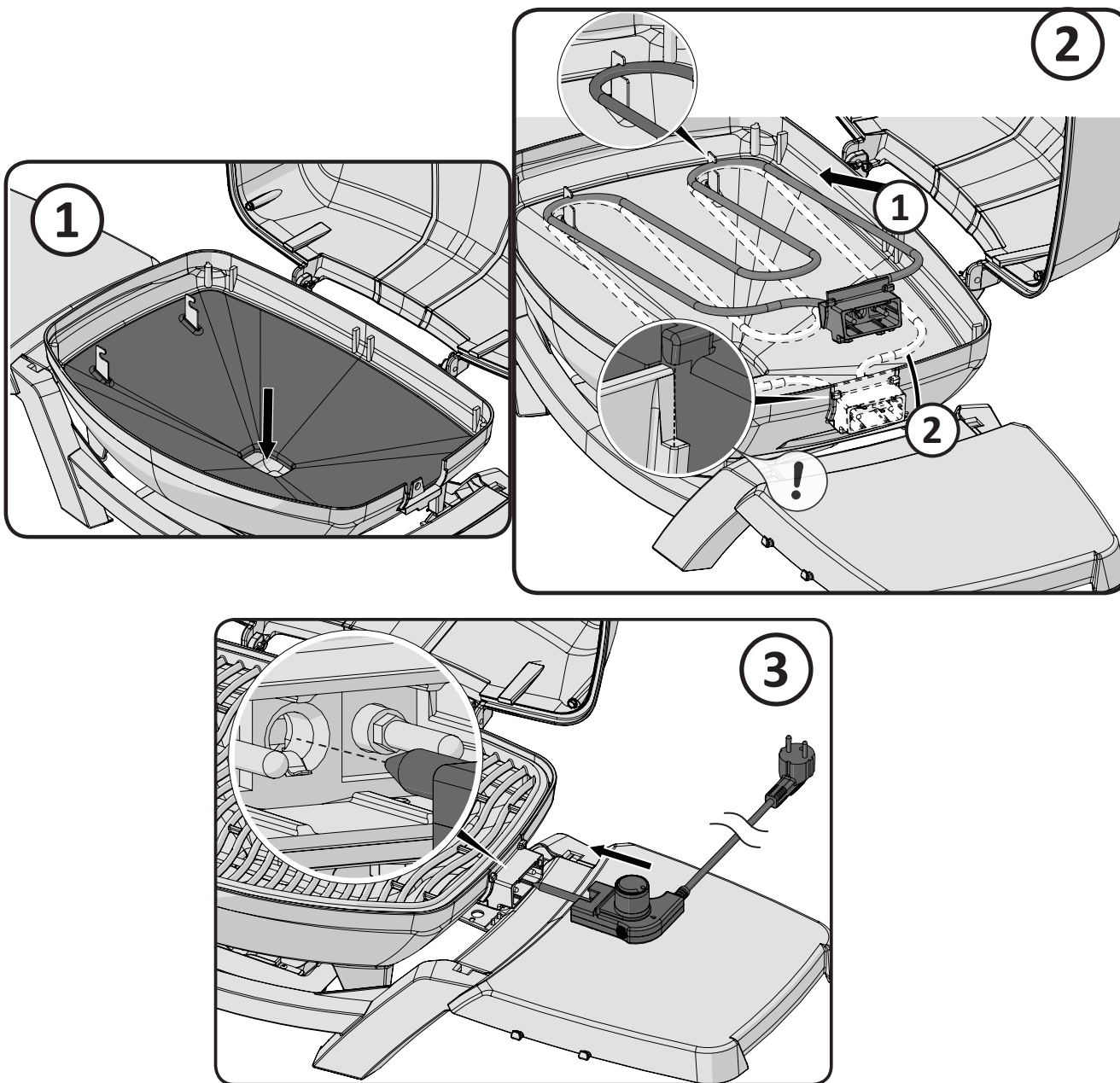
Disassembly:

1. Unplug the cord from wall and remove the thermostat.
2. Remove cooking grids.
3. Lift heating element out of grill.
4. Remove the base liner.



Reassembly:

1. Reinsert the base liner.
2. Place the curved ends of the heating element back into its support clips. Lower the heating element into place.
3. Reinsert the thermostat and cooking grids.



KEEP YOUR RECEIPT AS PROOF OF PURCHASE TO VALIDATE YOUR WARRANTY.

Ordering Replacement Parts

EN

Warranty Information

MODEL: _____

DATE OF PURCHASE: _____

SERIAL NUMBER: _____

(Record information here for easy reference)

For replacement parts and warranty claims, contact the Napoleon dealer where the product was purchased. Before contacting the dealer, check the Napoleon Grills Website for more extensive cleaning, maintenance, troubleshooting and parts replacement instructions at www.napoleon.com.

To process a claim, the following information is required:

1. Model and serial number of the unit.
2. Part number and description.
3. A concise description of the problem ('broken' is not sufficient).
4. Proof of purchase (photocopy of the invoice).

In some cases, Napoleon could request to have the parts returned to the factory for inspection before providing replacement parts.

Before contacting Napoleon dealer, please note that the following items are not covered by the warranty:

- Costs for transportation, brokerage or export duties.
- Labour costs for removal and reinstallation.
- Costs for service calls to diagnose problems.
- Discolouration of stainless steel parts.
- Part failure due to lack of cleaning and maintenance, or use of improper cleaners (oven cleaner or other harsh chemicals).

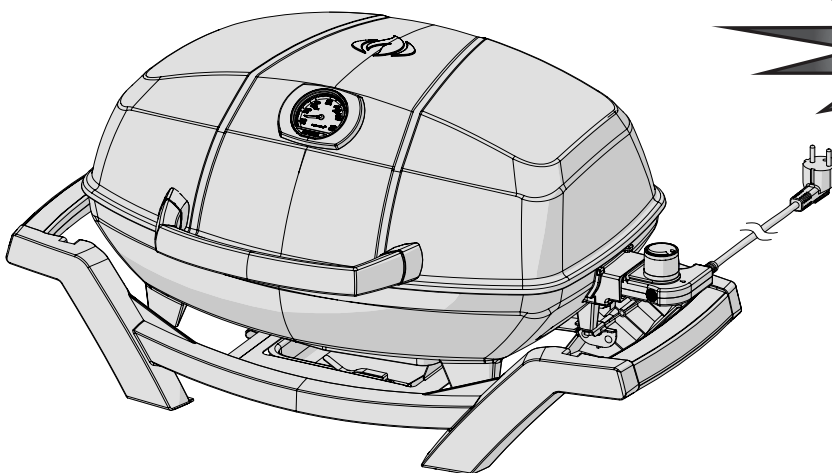




Použijte štítek se sériovým číslem z kartonu



Výrobní číslo.
XXXXXX000000
Model č.



NEVYHAZUJTE

PRO285E

CZ



VAROVÁNÍ! MOŽNÉ NEBEZPEČÍ ÚRAZU

Toto zařízení je určeno pro používání
v elektrické síti:
220-240 V – 50/60 Hz
Výkon: 2200 W



VAROITUS! Käyttöohjeiden noudattamatta jättäminen voi aiheuttaa tulipalon, räjähdysten tai palovaatan, joista voi koitua vahinkoa omaisuudelle, henkilöille tai jopa johtaa kuolemaan. Lue käyttöohjeet ja varoitukset huolellisesti ennen käyttöönottoa.



VAROVÁNÍ!

- Pouze pro venkovní použití
- Při používání elektrických spotřebičů byste měli vždy dodržovat základní bezpečnostní opatření, včetně následujících pokynů, abyste snížili riziko požáru, úrazu elektrickým proudem, zranění osob a poškození materiálu.
- Ponechte tuto příručku pro budoucí použití.



N415-0478E MAR 14.19

Wolf Steel Europe BV
Poppenbouwing 29-31, 4191 NZ Geldermalsen,
CCI No. 51509970, THE NETHERLANDS
info@napoleongrills.nl

www.napoleon.com

Napoleon Presidentská 10-letá Omezená Záruka



Výrobky NAPOLEON jsou navrženy s vynikajícími součástmi a materiály a jsou sestaveny školenými řemeslníky, kteří se pyšní svou prací. Tento produkt byl před balením a přepravou důkladně prohlédnut kvalifikovaným technikem, aby se zajistilo, že zákazník obdrží kvalitní výrobek, který od společnosti NAPOLEON očekáváte.

NAPOLEON ručí za komponenty Vašeho nového produktu Napoleon z hlediska vady materiálu a zpracování od data prodeje po následující období:

Hliníkové kryty / nerezová konstrukce	10 let
Smaltované štít	5 let plné krytí, plus do 10.roku sleva 50% na díl
Smaltované litinové grilovací rošty	5 let plné krytí, plus do 10.roku sleva 50% na díl
Topné těleso a termostat	2 roky
Všechny ostatní díly	2 roky

CZ

*Podmínky a omezení

Tato omezená záruka vytváří záruční lhůtu, jak je uvedena ve výše uvedené tabulce, pro produkt zakoupený prostřednictvím autorizovaného prodejce NAPOLEON a opravňuje původního kupujícího ke stanovenému krytí v záruční době, a to buď společností NAPOLEON nebo autorizovaným prodejcem společnosti NAPOLEON, aby nahradil součást takového výrobku, který selhal při běžném soukromém použití v důsledku výrobní vady. "50% sleva" uvedená v tabulce znamená, že součástka je k dispozici kupujícímu za 50% slevu z běžné maloobchodní ceny komponentu v uvedeném období. Tato omezená záruka se nevztahuje na příslušenství nebo bonusové položky.

Na vysvětlenou "běžná soukromá potřeba" výrobku znamená, že výrobek: byl nainstalován autorizovaným servisním technikem nebo dodavatelem v souladu s pokyny k instalaci, které jsou součástí výrobku a všemi místními a národními předpisy pro budovy a protipožární ochranu; byly řádně dodrženy; a výrobek nebyl používán jako komunální zařízení nebo v komerční sféře.

Záruka také nezahrnuje: přetopení, nestandardní hoření způsobené okolními podmínkami, jako je silný vítr nebo nedostatečná ventilace, škrábance, promáčkliny, korozi, poleptání nátěrů, zbarvení způsobené teplem, abrazivními nebo chemickými čisticími prostředky nebo působením UV záření, rozbití porcelánových či smaltovaných částí nebo škody způsobené nesprávným použitím, nehodou, krupobitím, hašením požáru, nedostatečnou údržbou, nevhodným působením či prostředím jako je sůl nebo chlor, změny, úpravy, zanedbání nebo části instalované od jiných výrobců. Pokud dojde k poškození částí, které by již nebylo možno používat (proreznutí nebo prohoření) během doby trvání oprávněné záruky, bude poskytnut náhradní díl.

Náhradní díl je výhradní odpovědností společnosti NAPOLEON definované touto omezenou zárukou. V žádném případě NAPOLEON nenesou odpovědnost za instalaci, práci nebo jiné náklady nebo výdaje související s opětovným instalováním dílu v záruce, za jakékoli vedlejší, následné nebo nepřímé škody nebo za přepravní poplatky, náklady na pracovní sílu nebo vývozní cla.

Tato omezená záruka je poskytována vedle všech práv, která vám jsou poskytována místními zákony. Proto tato omezená záruka nestanoví společnost NAPOLEON žádnou povinnost udržovat díly na skladě. Na základě dostupnosti náhradních dílů může společnost NAPOLEON podle svého uvážení splnit všechny povinnosti tím, že poskytne zákazníkovi poměrný kredit k novému produktu. Po prvním roce s ohledem na tuto omezenou záruku může společnost NAPOLEON podle svého uvážení plně splnit všechny závazky vyplývající z této záruky tím, že vrátí původnímu oprávněnému kupujícímu velkoobchodní cenu jakékoliv vadné části v záruce.

Prodejní doklad nebo kopie budou vyžadovány společně se sériovým číslem a číslem modelu při podávání záručních nároků společnosti NAPOLEON.

Společnost NAPOLEON si vyhrazuje právo nechat svého zástupce prověřit jakýkoli výrobek nebo součást před tím, než uhradí nárok na záruku. Obratě se na svého autorizovaného prodejce Napoleon popřípadě přímo na servis dovozce NAPOLEON, abyste získali nárok na záruční plnění.

Pozn.: doživotní zárukou se myslí neomezená doba, po kterou bude produkt používán prvním a původním majitelem resp. kupujícím



www.napoleon.com



VAROVÁNÍ! Nejprve si přečtěte veškeré pokyny.

Postupy bezpečné obsluhy

- Používejte tento gril pouze tak, jak je popsáno v této příručce. Jakýkoli jiný způsob použití, který není doporučen v této příručce může způsobit požár, úraz elektrickým proudem nebo poranění osob.
- Tento gril je určen pouze pro venkovní použití. Nepoužívejte jej uvnitř v budovách ani pro komerční účely.
- Neupravujte žádným způsobem tento výrobek ani neměňte jeho účel.
- Nepoužívejte v tomto grilu dřevěné uhlí ani jiná hořlavá paliva. Tento gril není určen pro použití s dřevěným uhlím a mohlo by dojít k požáru. Požár pak může zapříčinit nebezpečné podmínky provozu či poškození grilu.
- Neumísťujte tento model grilu do žádných vestavných nebo zásuvných konstrukcí. Ignorováním tohoto upozornění můžete způsobit požár nebo explozi, která může vést k poškození majetku nebo způsobit vážná zranění či smrt.

Elektrická bezpečnostní opatření:

- Toto zařízení vyhovuje technickým normám a bezpečnostním požadavkům na elektrická zařízení.
- Vždy se ujistěte, že použitá elektrická zásuvka má správné napětí v závislosti na příkon spotřebiče. Zásuvky musí být také vhodné pro zařízení, jehož příkon dosahuje 2200W.
- Ujistěte se, že při používání grilu nejsou zapojena žádná další zařízení s vysokým příkonem do stejného elektrického obvodu.
- Přístroj by měl být připojen k zásuvce, která má uzemňovací kolík.
- Zařízení musí být vybaveno proudovým chráničem (RCD), jehož citlivost nepřekračuje hodnotu 30 mA.
- Nepoužívejte zařízení, pokud je zásuvka poškozena.
- Napájecí kabel by měl být pravidelně kontrolován, kvůli známkám poškození a spotřebič by neměl být používán, pokud je kabel jakkoli poškozen.
- Nepoužívejte gril s regulátorem teploty, který má poškozený kabel nebo zástrčku.
- Pokud je napájecí kabel poškozen, obraťte se na společnost Napoleon nebo autorizovaného prodejce Napoleon.
- Pokud používáte prodlužovací kabel, musí být navržen pro venkovní použití a jeho specifikace musí odpovídat výkonovým údajům tohoto zařízení.
- Nepropujte dva nebo více prodlužovacích kabelů dohromady.

Bezpečný provoz:

- Před zapojením zástrčky napájecího kabelu do sítě zapojte vždy nejdříve regulátor teploty do grilu. Pokud chcete vyjmout regulátor teploty z grilu, nejdříve gril odpojte ze zásuvky.
- Netahejte za knoflík regulátoru, mohlo by dojít k jeho odtržení či rozbití. Regulátor teploty vyjměte uchopením z boku.
- V případě vzplanutí nepoužívejte k hašení vodu. Vypněte gril otočením regulátor do pozice OFF. Odpojte napájecí kabel a vyčkejte, dokud gril nevychladne.
- Zástrčku a napájecí kabel uchovávejte v suchu. Nepoužívejte gril za deště.
- Provozujte gril pouze na rovném a stabilním povrchu.
- Nedovolte, aby se napájecí kabel dotýkal grilu, dokud je horký.
- Odkapová vanička na omastek musí být během grilování vždy na svém místě.
- Nehýbejte s grilem během jeho používání.
- Při používání grilu nenechávejte gril bez dozoru.
- Během používání grilu nenechávejte malé děti, starší osoby a domácí zvířata bez dozoru a udržujte je mimo dosah grilu. Děti si nesmí hrát s tímto zařízením.
- Toto zařízení smí používat děti starší 8 let, osoby se sníženými psychickými, smyslovými nebo duševními schopnostmi či osoby s nedostatkem zkušeností a znalostí pouze tehdy, pokud jsou pod dohledem nebo pokud jim byly uděleny pokyny týkající se bezpečného používání tohoto zařízení a pokud tyto osoby rozumí rizikům, která představují.
- Při čištění a údržbě grilu mějte děti pod dozorem.
- Nepoužívejte gril v blízkosti hořlavých materiálů jako je dřevo, suchá tráva, keře atd.
- Nedovolte, aby se gril dostal do styku s hořlavými materiály jako jsou papír, stěny, závěsy, ručníky, chemikálie atd.
- Nepoužívejte gril na vysoce frekventovaných místech. Umístěte síťový kabel mimo tato vysoce frekventovaná místa.
- K zamezení postříkání grilu či jeho pádu do vody, umístěte gril ve vzdálenosti nejméně 3 m (10 stop) od bazénu, rybníka či jiných vodních ploch.
- Nepoužívejte jako topení.
- Před přemístěním nebo uskladněním nechte spotřebič vychladnout.

Čištění:

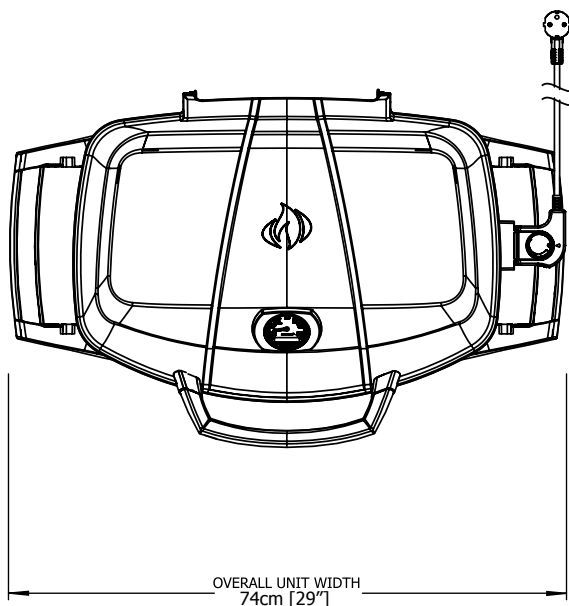
- Čistěte pravidelně odkapávací misku.
- Během čištění neponořujte elektrické komponenty do vody.
- K ochraně před úrazem elektrickým proudem neponořujte zástrčku, kabel nebo regulátor teploty do vody či jiné kapaliny.

Uskladnění:

- Odpojte gril při nepoužívání ze zásuvky a udržujte zástrčku a přívodní kabel v suchu.
- Během nepoužívání grilu nenechávejte regulátor teploty v zapnuté poloze ON.
- Regulátor teploty, pokud není používán, uchovávejte vždy uvnitř v místnosti.
- Pokud nepoužíváte gril po delší dobu, vyjměte regulátor teploty z grilu.

ROZMĚRY

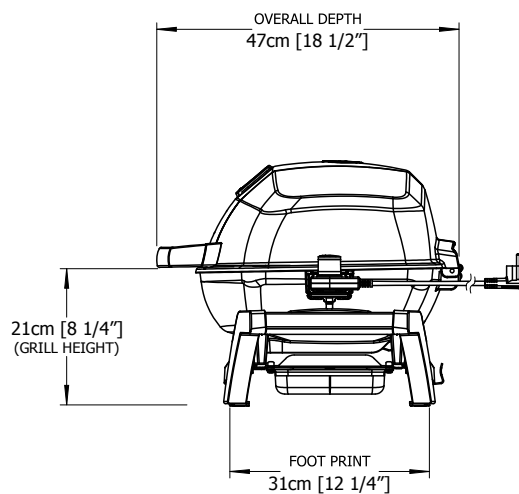
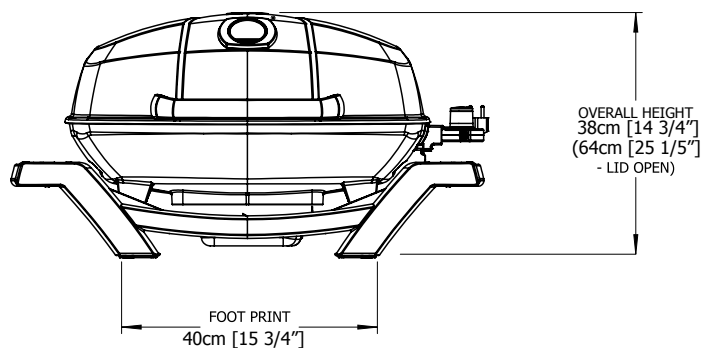
CZ



PRO285E GRILL

GRILL SIZE: 37cm X 54cm (IRREGULAR) = 1840 cm² (14 1/2" X 21 1/4" (IRREGULAR) = 285 in²)

ALL DIMENSIONS ARE APPROXIMATE



POZOR! Při vybalování a montáži vám doporučujeme nosit pracovní rukavice a ochranné brýle pro vaši ochranu. Ačkoli jsme věnovali veškeré úsilí tomu, aby proces montáže byl bezpečný, tak je možné, že ocelové části, jako jsou rohy a hrany mohou být ostré a způsobit řezné rány při nesprávné manipulaci.



Správná likvidace tohoto produktu

Toto označení znamená, že tento výrobek nesmí být likvidován s jinými domácími zařízeními v rámci celé EU. Aby se zabránilo možnému znečištění životního prostředí nebo lidského zdraví způsobeným nekontrolovanou likvidací, recyklujte je zodpovědně a k podpoře opětovného využití hmotných zdrojů. Chcete-li vrátit použité zařízení, použijte systém sběru a recyklace nebo se obraťte na prodejce, kde byl výrobek zakoupen.

Instrukce k vaření



VAROVÁNÍ! Nepoužívejte tento gril pod plátěnými střechami nebo altánky. Nerespektování těchto pokynů může vést k požáru nebo poranění osob.



VÝSTRAHA! Neuskladňujte ani nepřevázejte tento gril bezprostředně po jeho použití. Před manipulací nechte gril vychladnout. Nedodržení těchto pokynů může způsobit požár, který může vést k poškození majetku, zranění osob nebo smrti.

Při prvním použití uvolňuje gril nepatrný zápach. Jedná se o normální dočasný stav, způsobený vypalováním vnitřních nátěrů a maziv používaných při výrobním procesu, který se nebude opakovat. Jednoduše nastavte termostat grilu na plný výkon po dobu přibližně ½ hodiny a nechte otevřené víko grilu. Před pečením libového masa, jako jsou kuřecí prsíčka nebo libové vepřové, mohou být rošty potřeny olejem pro zamezení jeho přilnutí. Pečení masa s vysokým obsahem tuku může způsobit vzplanutí. K zamezení vzplanutí, tuk očistěte nebo snižte teplotu.

GRILOVÁNÍ NA ELEKTRICKÉM GRILU

Předehejte gril na HIGH po dobu 15-20 minut se zavřeným víkem, potom nastavte požadovanou teplotu. Toto je vodítko pro vaření při venkovní teplotě 22 ° C.

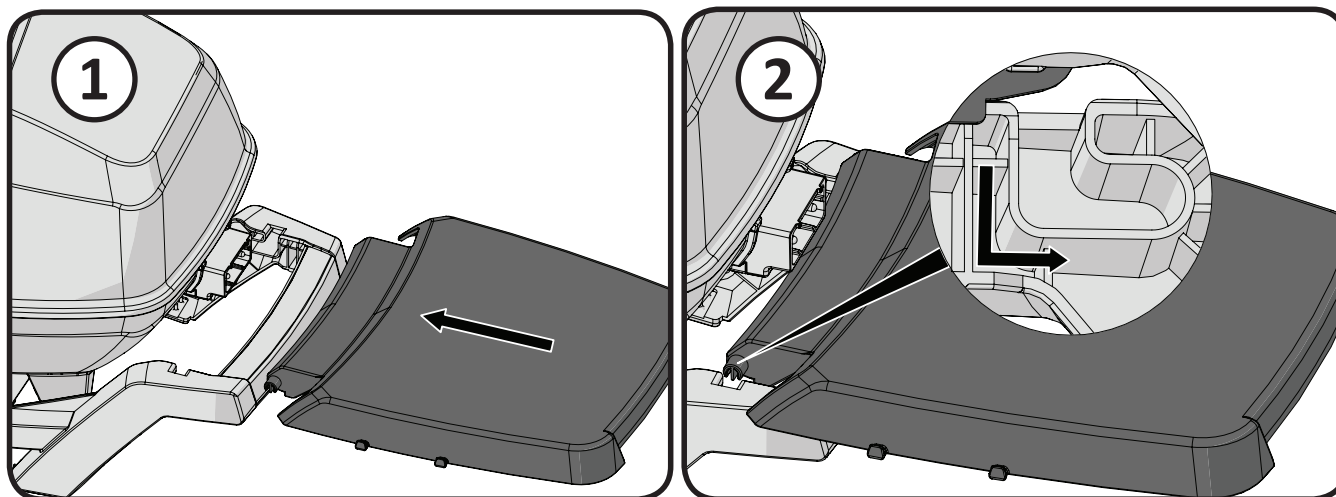
Chcete-li do Vaší kuchyně přidat osobitou chuť, vyzkoušejte Napoleon Woodchip - voné dřevěné šupiny jako volitelný doplněk.

Jídlo	Nastavení teploty	Přibližná doba grilování	Užitečné rady
Steak 2.54cm tlustý	Vysoké nastavení, 2 min. každá strana Vysoké nastavení, 2 min. každá strana potom Nastavení média Vysoké nastavení, 2 min. každá strana potom Nastavení média	4 min. – Rare 6 min. – Medium 8 min. – Well done	Při výběru masa na grilování požádejte o lehce prorostlé. Maso s vyšším obsahem tuku je při grilování šťavnatější.
Hamburger 1.27cm tlustý	Vysoké nastavení, 2 min. každá strana Vysoké nastavení, 2 1/2 min. každá strana Vysoké nastavení, 3 min. každá strana	4 min. – Rare 5 min. – Medium 6 min. – Well done	Příprava hamburgerů na přání je snadnější tím, že měníte tloušťku vašich karbanátků.
Kuřecí kousky	Vysoké nastavení, 2 min. každá strana potom nastavení Středně-Nízké až Nízké	20-25 min.	Klobouk, který spojuje stehno s nohou v oblasti bez kůže, by měl být nakrájen do ¼. To pomáhá rychlejšímu a rovnoměrnějšímu propečení.
Vepřové kotlety	Medium	6 min. každá strana	Odstraňte přebytečný tuk před grilováním. Zvolte si silnější kotlety, abyste získali více křehkosti.
Žebra volná	Vysoké nastavení po dobu 5 minut Nízké pro dokončení	20 min. každá strana často otáčet	Vyberte žebra, která jsou nízká a masitá. Grilujte dokud nejde maso od kosti.
Jehněčí kotletky	Vysoké nastavení po dobu 5 minut Střední pro dokončení	15 min. každá strana	Odstraňte přebytečný tuk před grilováním. Zvolte si silnější kotlety, abyste získali více křehkosti.
Hot dogs	Střední až Nízké nastavení	4-6 min.	Vyberte raději větší velikost párků.

Řešení problémů

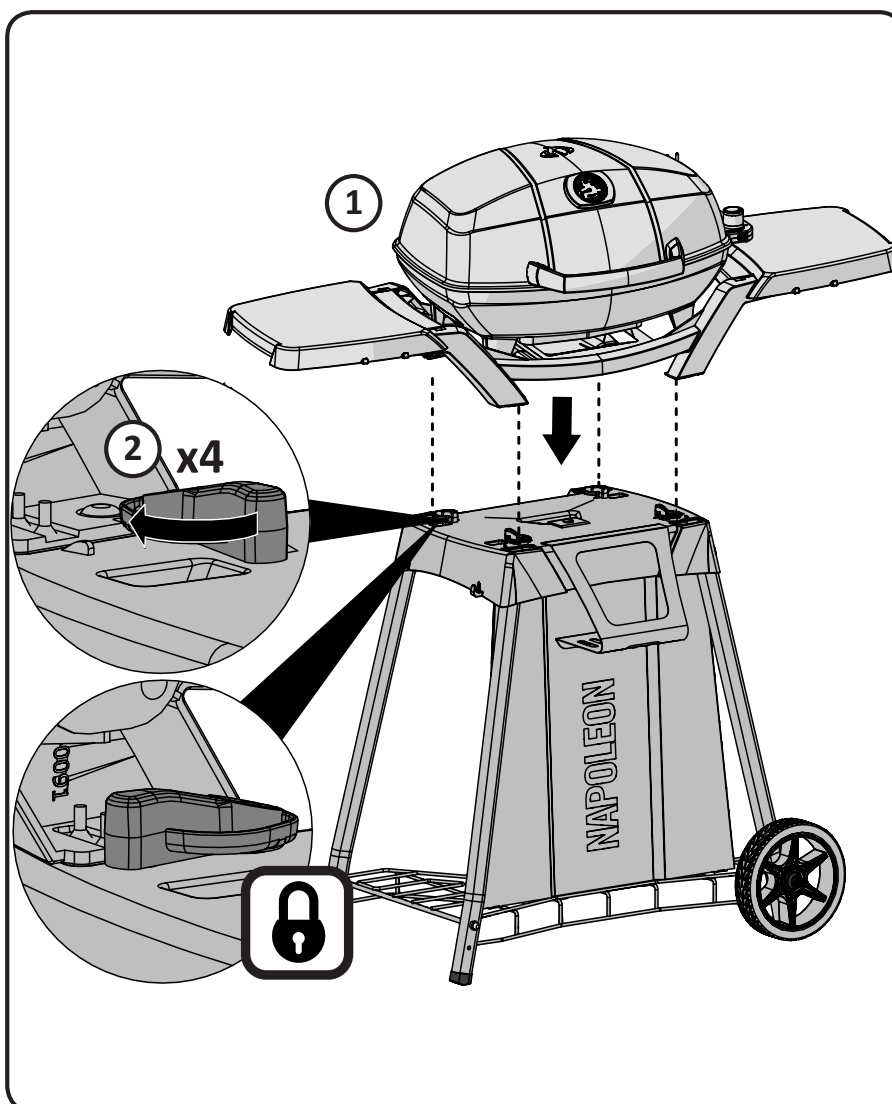
Problém	Možné příčiny	Řešení
Nelze zapnout	Termostat vypnutý. Bez proudu.	Nastavte termostat na maximum. Zajistěte, aby byl termostat plně usazen v desce grilu a správně zapojen do zásuvky Zkuste jinou zásuvku. Zkontrolujte, zda není vypnutý jistič. Vraťte do správné polohy. Nastavte termostat na maximum.. Předehejte gril s uzavřeným víkem po dobu 15 – 20 minut.
	Vadný termostat nebo mřížka.	Vyměňte termostat nebo mřížku.
Nízká teplota	Nesprávné předeheťatí	Předehejte 15-20 minut. Zvyšte nastavení termostatu.
	Nadměrné nahromadění tuku v nádobě na jeho odkapávání	Odstraňte přebytečně nečistoty .
Nadměrné plameny/ nerovnoměrné teplo	Nadměrný obsah tuku v mase.	Odstraňte tuk z masa před grilováním.
	Nadměrná teplota pečení.	Podle potřeby upravte teplotu.
	Nárůst mastnoty	Vyčistěte gril
Zpadávání jističe nebo nebo vyhazování pojistek	Prudké kolísání proudu.	Před zapojením do elektrické zásuvky otočte regulátor do polohy OFF
	Další spotřebič zapojený do stejného obvodu jako gril.	Na stejném okruhu nepoužívejte jiné elektrické spotřebiče.
	Vlhkost nebo voda v termostatu nebo v elektrickém připojení .	Udržujte termostat a elektrické součásti suché.

VOLITELNÁ POLIČKA



CZ

VOLITELNÝ STOJAN



Pokyny pro čištění



CZ

VAROVÁNÍ! Při údržbě grilu používejte vždy ochranné rukavice a ochranné brýle.

VAROVÁNÍ! Aby nedošlo k popáleninám, je nutno provádět údržbu pouze tehdy, je-li gril zcela chladný. Vyhněte se nechráněnému kontaktu s horkými povrchy. Zkontrolujte, zda je gril vypnutý. Čištěte gril čistícími roztoky pouze v prostorech, kde nehrozí poškození ploch podlah, trávníků nebo teras. Nepoužívejte čistič trouby k čištění žádné části tohoto grilu. Nepoužívejte samočisticí troubu k čištění varných mřížek nebo jiných částí grilu. Grilovací omáčka a sůl může být korozivní a může způsobit rychlé poškození součástí grilu, pokud nejsou pravidelně čištěny.

Litinové rošty na úpravu pokrmů: Litinové rošty jsou dodávány k Vašemu novému grilu a nabízejí vynikající schopnost uchování a distribuci tepla. Pravidelným ošetřením (balzamováním) roštu přidáváte ochranný povlak, který pomůže odolávat korozi a zvýšit schopnost nepřilnutí pokrmu k roštu.

První použití: Rošty ručně umyjte jemným mýdlem a vodou, abyste odstranili veškeré zbytky z výrobního procesu (nikdy neumývejte v myčce nádobí). Důkladně opláchněte horkou vodou a zcela vysušte měkkým hadříkem. To je důležité, aby se zabránilo vniknutí vlhkosti do litiny. Při prvním zahřátí roštu se uvolní nepatrný zápach.

Ošetřování (balzamování): Vezměte jemný hadřík (látku) a rozetřete jím ROSTLINNÝ TUK po celé ploše roštu tak, aby byly všechny části pokryté vrstvou tuku. Nepoužívejte tuky obsahující sůl jako jsou másla nebo margaríny. Předehřejte gril – asi 15 minut a pak do něj vložte tukem potřené rošty. Otočte ovládací knoflík hořáku na střední nastavení se zavřeným poklopem. Nechte rošty přibližně půl hodiny, aby se nahřály. Vypněte hořák a odpojte přívod el. energie. Nechte rošt na grilu dokud nevychladne. Tento proces by se měl několikrát za sezonu opakovat, i když nebude používán každý den (pro denní používání informace viz. níže)

Denní používání: Před předehřátím a čištěním mosazným kartáčem na grily, potřete celou plochu roštu rostlinným tukem. Předehřejte gril a pak setřete nechtěné zbytky z roštu kartáčem.

Čištění vnitřních prostor grilu: Vyjměte grilovací rošty. K odstranění volných nečistot z vnitřku víka použijte měkký mosazný drátěný kartáč. Veškeré nečistoty z grilu smeťte do odnímatelné odkapávací misky. Poté vyjměte tuto misku. Nepoužívejte abrazivní čističe. K vyčištění těžko odstranitelných skvrn použijte mýdlovou vodu. Vyčistěte neabrazivním čistícím prostředkem a vysušte čistým hadříkem. Po opětovném vložení roštu se ujistěte o správnosti jeho umístění.

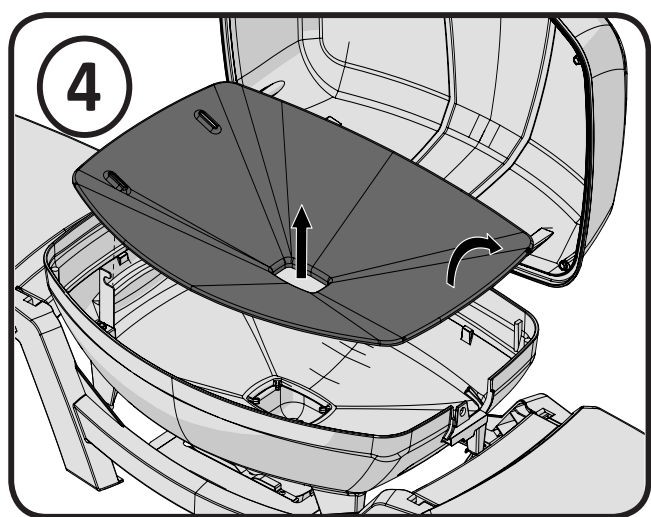
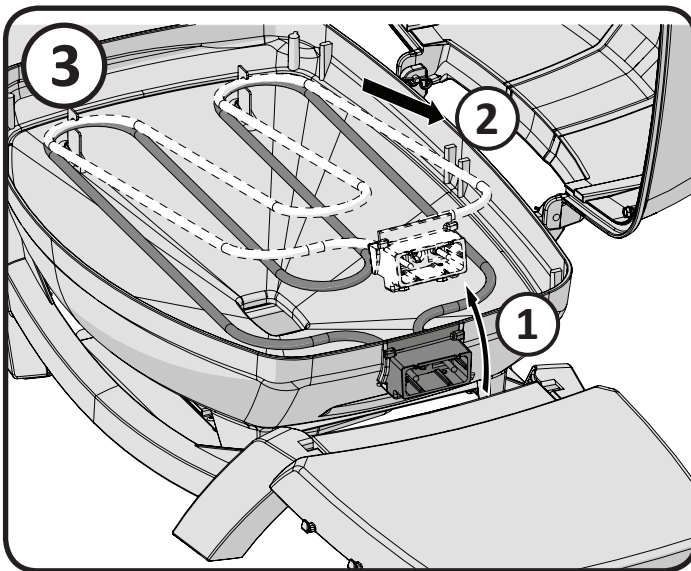
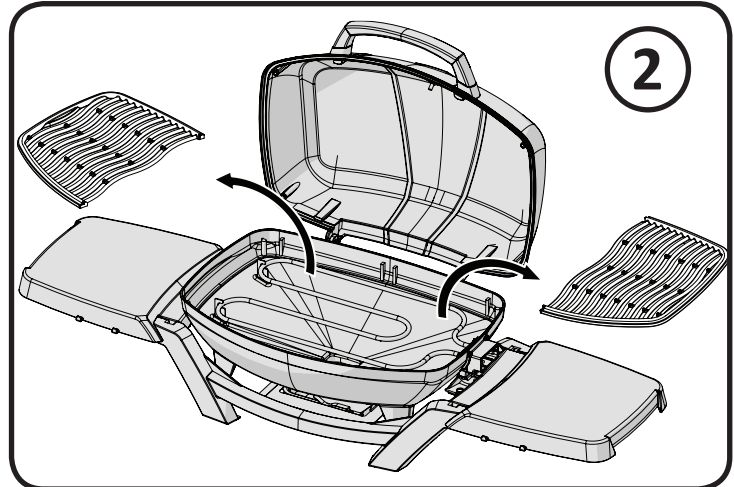
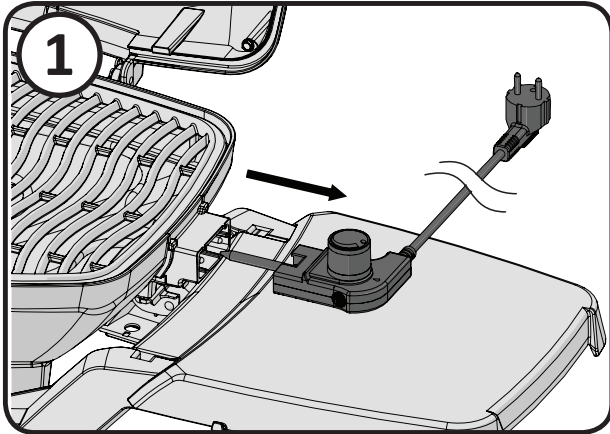
Odkapávací miska: Pro snadné čištění odkapávací misku vysušte. Aby se zabránilo nahromadění mastnoty. Misku je třeba čistit pravidelně (každých 4-5 použití). Dbejte na to, aby se na grilovacím roštu a uvnitř grilovací vany nehromadil tuk. Toho dosáhnete pravidelným čištěním roštu a vany mezi jednotlivými grilováními. Nesprávná údržba může vést ke vzplanutí omastku, což může způsobit vážné poranění či dokonce smrt a také škody na majetku.

Čištění vnější strany grilu: Nepoužívejte žádné brusné čističe k čištění lakovaných částí. Nepoužívejte čisticí prostředky obsahující kyseliny a rozpouštědla na ropné bázi. Pro ochranu vnějšího povrchu grilu použijte měkký hadřík nebo kartáč s jemným čistícím prostředkem. K vysušení použijte suchý hadřík.

Postup čištění

Demontáž:

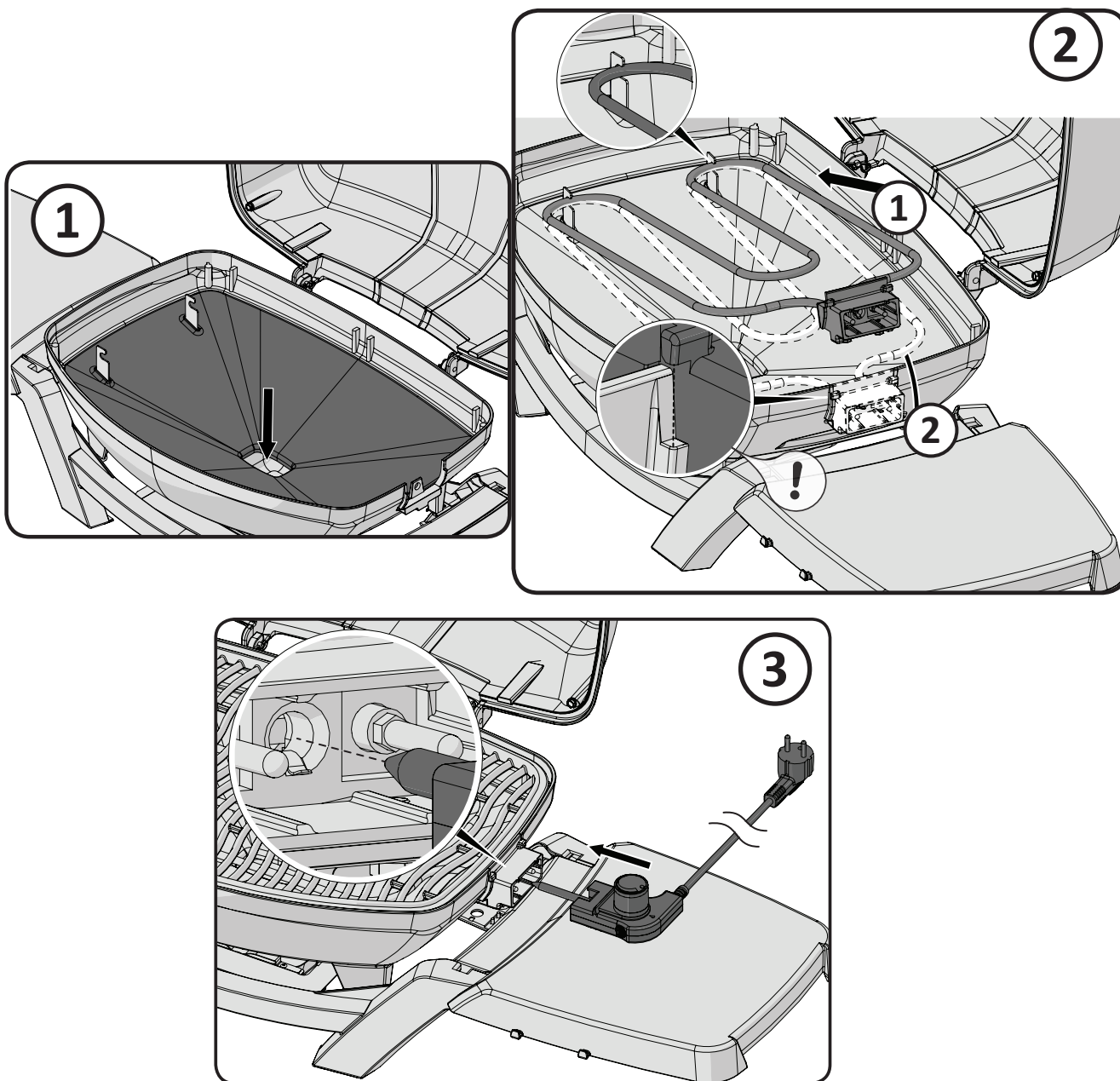
1. Odpojte kabel ze zásuvky a vyjměte termostat.
2. Vyměte rošty.
3. Zatlačte pružinovou sponu a vyjměte topný prvek z grilu.
4. Vyměte vložku.



CZ

Opětovné sestavení:

1. Vložte zpět vložku.
2. Umístěte zakřivené konce topného tělesa zpět do podpěrných svorek.
3. Zapojte topný článek na místo.
4. Vložte termostat a rošty.



CZ

Uchovejte svůj pokladní doklad o nákupu, abyste mohli potvrdit svou záruku.

Objednávání náhradních dílů

Informace o záruce

Model: _____

Datum nákupu: _____

Výrobní číslo: _____

(Záznam informací naleznete zde pro přehlednost)

V případě náhradních dílů a záručních nároků kontaktujte prodejce Napoleona, kde byl výrobek zakoupen.

Než se obrátíte na prodejce Napoleona, prohlédněte si webovou stránku Napoleon Grills pro rozsáhlejší čištění, údržbu, odstraňování problémů a pokyny pro náhradní díly na adrese www.napoleon.com.

Pro zpracování reklamace jsou požadovány následující informace:

1. Model a sériové číslo přístroje.
2. Objednací číslo a popis
3. Stručný popis problému
4. Doklad o koupi (fotokopie faktury).

V některých případech mohl Napoleon požádat o přezkoušení dílů vrácených do továrny před poskytnutím náhradních dílů.

Než se obrátíte na prodejce Napoleona, nezapomeňte, že následující položky nepokrývá záruka:

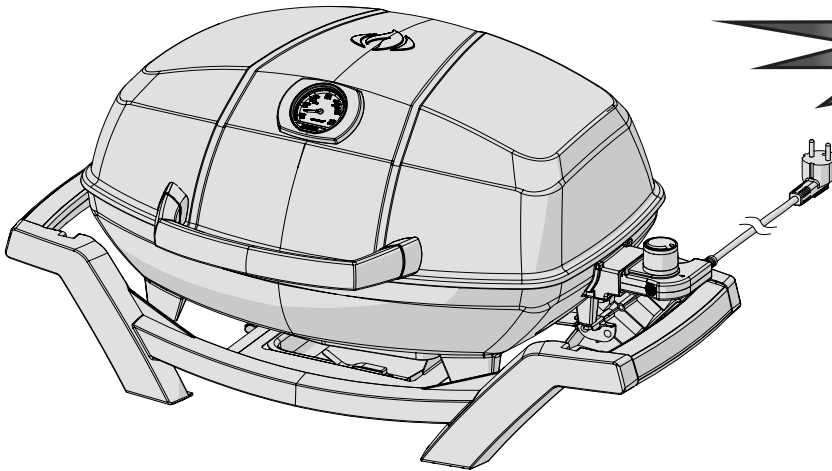
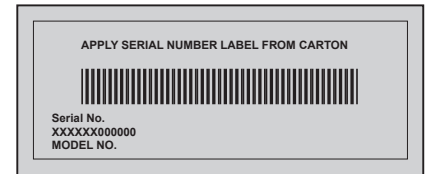
- Náklady na dopravu, zprostředkování nebo vývozní clo.
- Mzdové náklady na odstranění a reinstalaci.
- Náklady na služby a volání k diagnostice problem.
- Změna barvy korozivzdorné oceli.
- Selhání v důsledku nedostatečného čištění a údržby nebo používání nevhodných čisticích prostředků (čističe trouby).

CZ

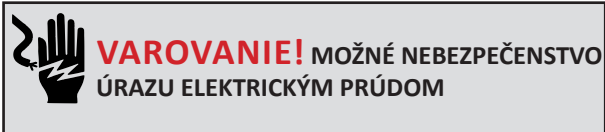


SK





SK



Toto zariadenie je určené na používanie
v elektrickej sieti:
220-240 V – 50/60 Hz
Výkon: 2200 W



VAROVANIE! Nedodržanie pokynov v tejto príručke môže viesť k požiaru, výbuchu alebo nebezpečeniu popálenia, ktoré by mohlo spôsobiť poškodenie majetku, zranenie alebo smrť. Pred použitím grilu si dôkladne prečítajte všetky upozornenia a dodržiavajte pokyny uvedené v tejto príručke



VAROVANIE!

- Iba na vonkajšie použitie
- Pri používaní elektrických spotrebičov by ste mali vždy dodržiavať základné bezpečnostné opatrenia, vrátane nasledujúcich pokynov, aby ste znížili riziko požiaru, úrazu elektrickým prúdom, zraneniu osôb a poškodeniu materiálu.
- Ponechajte si túto príručku pre budúce použitie.



N415-0478E MAR 14.19

Wolf Steel Europe BV
Poppenbouwing 29-31, 4191 NZ Geldermalsen,
CCI No. 51509970, THE NETHERLANDS
info@napoleongrills.nl

www.napoleon.com

Napoleon Prezidentská 10-ročná Obmedzená Záruka



Výrobky NAPOLEON sú navrhnuté s vynikajúcimi komponentmi a materiálmi a sú tvorené vyškolenými remeselníkmi, ktorí sa chvália svojím dielom. Tento produkt pred balením a prepravou dôkladne skontrolovali kvalifikovaní technici, aby sa zabezpečilo, že zákazník dostane kvalitný produkt, ktorý očakávate od spoločnosti NAPOLEON.

NAPOLEON ručí za komponenty Vášho nového produktu Napoleon z hľadiska chyby materiálu a spracovania od dátumu predaja po nasledujúce obdobie:

Hliníkové kryty / nerezová konštrukcia	10 rokov
Smaltované štít	5 rokov plné krytie, plus do 10.roku zľavu 50% na diel
Smaltované liatinové rošty.....	5 rokov plné krytie, plus do 10.roku zľavu 50% na diel
Vykurovacieteleso a termostat.....	2 roky
Všetky ostatné diely	2 roky

*Podmienky a obmedzenia

Táto obmedzená záruka vytvára záručnú lehotu, ako je uvedená vo vyššie uvedenej tabuľke, pre produkt zakúpený prostredníctvom autorizovaného predajcu NAPOLEON a oprávňuje pôvodného kupujúceho k stanovenému krytiu v záručnej dobe, a to buď spoločnosťou NAPOLEON alebo autorizovaným predajcom spoločnosti NAPOLEON, aby nahradil súčasť takéhoto výrobku, ktorý zlyhal pri bežnom súkromnom použití v dôsledku výrobných chýb. "50% zľava" uvedená v tabuľke znamená, že súčiastka je k dispozícii kupujúcemu za 50% zľavu z bežnej maloobchodnej ceny komponent v uvedenom období. Táto obmedzená záruka sa nevzťahuje na príslušenstvo alebo bonusové položky.

Na vysvetlenie "bežná súkromná potreba" výrobku znamená, že výrobok: bol nainštalovaný autorizovaným servisným technikom alebo dodávateľom v súlade s pokynmi na inštaláciu, ktoré sú súčasťou výrobku a všetkými miestnymi a národnými predpismi pre budovy a protipožiarnu ochranu; boli riadne dodržané; a výrobok nebol používaný ako komunálne zariadenia alebo v komerčnej sfére.

Záruka tiež nezahŕňa: prekúrenie, neštandardné horenie spôsobené okolitými podmienkami, ako je silný vietor alebo nedostatočná ventilácia, škrabance, preliačiny, koróziu, poleptanie náterov, sfarbenie spôsobené teplom, abrazívnymi alebo chemickými čistiacimi prostriedkami alebo pôsobením UV žiarenia, rozbitie porcelánových či smaltovaných častí alebo škody spôsobené nesprávnym použitím, nehodou, krupobitím, hasením požiaru, nedostatočnou údržbou, nevhodným pôsobením či prostredím ako je soľ alebo chlór, zmeny, úpravy, zanedbanie alebo časti inštalovanej od iných výrobcov. Pokiaľ dôjde k poškodeniu častí, ktoré by už nebolo možné používať (prereznutie alebo prehorenie) počas doby trvania oprávnenej záruky, bude poskytnutý náhradný diel.

Náhradný diel je výhradnou zodpovednosťou spoločnosti NAPOLEON definovanej touto obmedzenou zárukou. V žiadnom prípade NAPOLEON nenesie zodpovednosť za inštaláciu, prácu alebo iné náklady alebo výdavky spojené s opätovným inštalovaním dielu v záruke, za akékoľvek vedľajšie, následné alebo nepriame škody alebo za prepravné poplatky, náklady na pracovnú silu alebo vývozné clá.

Táto obmedzená záruka je poskytovaná popri všetkých právach, ktoré vám sú poskytované miestnymi zákonmi. Preto táto obmedzená záruka nestanovuje spoločnosti NAPOLEON žiadnu povinnosť udržiavať diely na sklade. Na základe dostupnosti náhradných dielov môže spoločnosť NAPOLEON podľa svojho uváženia splniť všetky povinnosti tým, že poskytne zákazníkovi pomerný kredit k novému produktu. Po prvom roku s ohľadom na túto obmedzenú záruku môže spoločnosť NAPOLEON podľa svojho uváženia plne plniť všetky záväzky vyplývajúce z tejto záruky tým, že vráti pôvodnému oprávnenému kupujúcemu veľkoobchodnú cenu akékoľvek chybné časti v záruke.

Predajný doklad alebo kópie budú vyžadované spoločne so sériovým číslom a číslom modelu pri podávaní záručných nárokov spoločnosti NAPOLEON. Spoločnosť NAPOLEON si vyhradzuje právo nechať svojho zástupcu preveriť akýkoľvek výrobok alebo súčasť pred tým, než uhradí nárok na záruku. Obráťte sa na svojho autorizovaného predajcu Napoleon prípadne priamo na servis dovozca NAPOLEON, aby ste získali nárok na záručné plnenie.

Pozn.: doživotnou zárukou sa myslí neobmedzená doba, po ktorú bude produkt používaný prvým a pôvodným majiteľom resp. kupujúcim



www.napoleon.com

www.napoleon.com

N415-0478E MAR 14.19



VAROVANIE! Najprv si prečítajte všetky pokyny.

Postupy bezpečnej obsluhy

- Používajte tento gril iba tak, ako je napísané v tejto príručke. Akýkoľvek iný spôsob použitia, ktorý nie je doporučený v tejto príručke môže spôsobiť požiar, úraz elektrickým prúdom alebo poranenie osôb.
- Tento gril je určený iba pre vonkajšie použitie. Nepoužívajte ho vo vnútri v budovách ani pre komerčné účely.
- Neupravujte žiadnym spôsobom tento výrobok ani nemeňte jeho účel.
- Nepoužívajte v tomto grile drevené uhlie ani iné horľavé palivo. Tento gril nie je určený na použitie s dreveným uhlím a mohlo by prísť k požiaru. Požiar potom môže zapríčiniť nebezpečné podmienky pre prevádzku či poškodenie grilu.
- Neumiestňujte tento model grilu do žiadnych vstavaných alebo zásuvných konštrukcií. Ignorovaním tohto upozornenia môžete spôsobiť požiar alebo explóziu, ktoré môžu viesť k poškodeniu majetku alebo spôsobiť vážne zranenia alebo smrť.

Elektrické bezpečnostné opatrenia:

- Toto zariadenie vyhovuje technickým normám a bezpečnostným požiadavkám pre elektrické zariadenia.
- Vždy sa uistite, že použitá elektrická zásuvka má správne napätie v závislosti na príkon spotrebiča. Zásuvky musia byť taktiež vhodné pre zariadenie, ktorého príkon dosahuje 2200W.
- Uistite sa, že pri používaní grilu nie sú zapojené žiadne ďalšie zariadenia s vysokým príkonom do rovnakého elektrického obvodu.
- Prístroj by mal byť pripojený k zásuvke, ktorá má uzemňovací kolík.
- Zariadenie musí byť vybavené prúdovým chráničom (RCD), ktorého citlivosť neprekračuje hodnotu 30 mA.
- Nepoužívajte zariadenie, ak je zásuvka poškodená.
- Napájací kábel by mal byť pravidelne kontrolovaný, kvôli známkam poškodenia a spotrebič by nemal byť používaný, ak je kábel akokoľvek poškodený.
- Nepoužívajte gril s regulátorom teploty, ktorý má poškodený kábel alebo zástrčku.
- Ak je napájací kábel poškodený, obráťte sa na spoločnosť Napoleon alebo autorizovaného predajcu Napoleon.
- Ak používate predlžovací kábel, musí byť navrhnutý na vonkajšie použitie a jeho špecifikácie musia zodpovedať výkonovým údajom tohto zariadenia.
- Nespájajte dva alebo viac predlžovacích káblov dohromady.

Bezpečná prevádzka:

- Pred zapojením zástrčky napájacieho kábla do siete zapojte vždy najprv regulátor teploty do grilu. Ak chcete vybrať regulátor teploty z grilu, najprv gril odpojte zo zásuvky.
- Neťahajte za gombík regulátora, mohlo by prísť k jeho odtrhnutiu alebo rozbitiu. Regulátor teploty vyberte uchopením z boku.
- V prípade vzplanutia nepoužívajte k haseniu vodu. Vypnite gril otočením regulátora do pozície OFF. Odpojte napájací kábel a počkajte, kým gril nevychladne.
- Zástrčku a napájací kábel uchovávajte v suchu. Nepoužívajte gril počas dažďa.
- Prevádzkujte gril iba na rovnom a stabilnom povrchu.
- Nedovoľte, aby sa napájací kábel dotýkal grilu, pokiaľ je horúci.
- Odkvapávacia vanička na masť musí byť počas grilovania vždy na svojom mieste.
- Nehýbte s grilom počas jeho používania.
- Pri používaní grilu nenechávajte gril bez dozoru.
- Počas používania grilu nenechávajte malé deti, staršie osoby a domáce zvieratá bez dozoru a udržujte ich mimo dosahu grilu. Deti sa nesmú hrať s týmto zariadením.
- Toto zariadenie môžu používať deti staršie ako 8 rokov, osoby so zníženými psychickými, zmyslovými alebo duševnými schopnosťami či osoby s nedostatkom skúseností a znalostí iba vtedy, ak sú pod dohľadom alebo ak im boli udelené pokyny týkajúce sa bezpečného používania tohto zariadenia a ak tieto osoby rozumia rizikám, ktoré predstavujú.
- Pri čistení a údržbe grilu majte deti pod dozorom.
- Nepoužívajte gril v blízkosti horľavých materiálov ako je drevo, suchá tráva, kríky atd.
- Nedovoľte, aby sa gril dostal do styku s horľavými materiálmi ako sú papier, steny, závesy, uteráky, chemikálie atd.
- Nepoužívajte gril na vysoko frekventovaných miestach. Umiestnite sieťový kábel mimo týchto vysoko frekventovaných miest.
- K zamedzeniu postriekania grilu či jeho pádu do vody, umiestnite gril vo vzdialenosti najmenej 3 m (10 stop) od bazéna, rybníka či iných vodných plôch.
- Nepoužívajte ako vykurovanie.
- Pred premiestnením alebo uskladnením nechajte spotrebič vychladnúť.

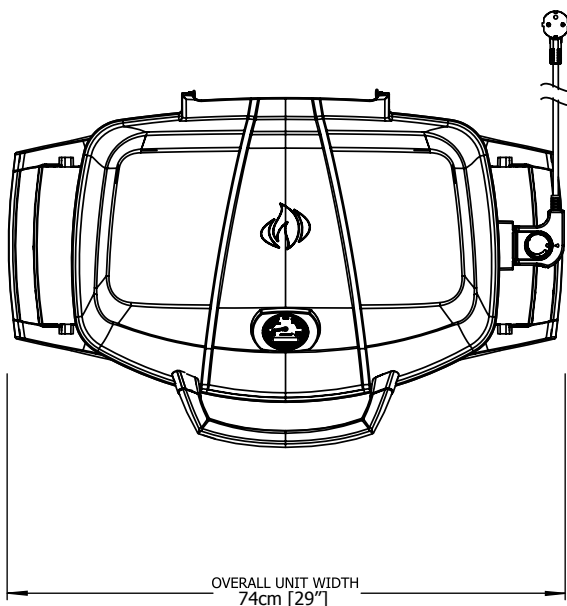
Čistenie:

- Čistite pravidelne odkvapávaciu misku.
- Počas čistenia neponárajte elektrické komponenty do vody.
- K ochrane pred úrazom elektrickým prúdom neponárajte zástrčku, kábel alebo regulátor teploty do vody či inej kvapaliny.

Uskladnenie:

- Odpojte gril pri nepoužívaní zo zásuvky a udržujte zástrčku a prívodný kábel v suchu.
- Mimo prevádzky grilu nenechávajte regulátor teploty v zapnutej polohe ON.
- Regulátor teploty, ak nie je používaný, uchovávajte vždy vo vnútri v miestnosti.
- Ak nepoužívate gril dlhšiu dobu, vyberte regulátor teploty z grilu.

ROZMERY

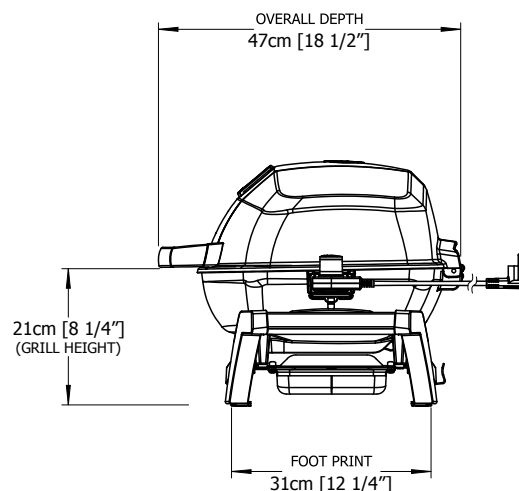
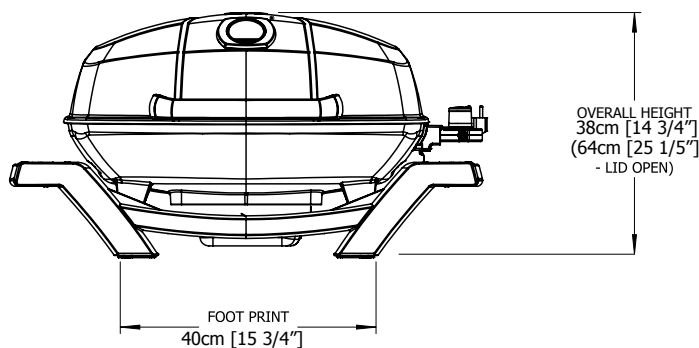


PRO285E GRILL

GRILL SIZE: 37cm X 54cm (IRREGULAR) = 1840 cm² (14 1/2" X 21 1/4" (IRREGULAR) = 285 in²)

ALL DIMENSIONS ARE APPROXIMATE

SK



POZOR! Pri rozbaľovaní a montáži doporučujeme používať ochranné rukavice a ochranné okuliare. Napriek tomu vynakladáme všetko úsilie na to, aby bol proces montáže čo možno najmenej problematický a čo najviac bezpečný. Pre vyrobené oceľové súčasti je charakteristické, že hrany a rohy môžu byť ostré a nesprávnym zaobchádzaním s nimi môže prísť k poraneniu.

Správna likvidácia tohto produktu

Toto označenie znamená, že tento výrobok by nemal byť zlikvidovaný spolu s inými domácimi odpadmi v rámci celej EU. Aby sa zabránilo možným škodám na životnom prostredí alebo ľudskom zdraví pri nekontrolovanej likvidácii odpadu, zodpovedne ich recyklujte k podpore udržateľného opätovného využitia materiálnych zdrojov. Ak chcete vrátiť použité zariadenie, použite systém vrátenia a zberu alebo sa obráťte na predajcu, u ktorého bol výrobok zakúpený. Ten potom odovzdá výrobok k ekologickej recyklácii.



Návod na pečenie

VAROVANIE! Nepoužívajte tento gril pod predĺženými markízami. Nedodržanie týchto pokynov môže spôsobiť požiar alebo zranenie.

NEBEZPEČENSTVO! Pred premiestnením alebo uskladnením nechajte gril najskôr vychladnúť. Ak tak nespravíte, mohlo by prísť k požiaru, ktorý by mohol spôsobiť škodu na majetku, zranenie alebo úmrtie.

Pri prvom použití uvoľňuje gril nepatrný zápach. Jedná sa o normálny dočasný stav, spôsobený vypaľovaním vnútorných náterov a mazív používaných pri výrobnom procese, ktorý sa nebude opakovať. Jednoducho nastavte termostat grilu na plný výkon počas doby približne ½ hodiny a nechajte otvorené veko grilu. Pred pečením akéhokoľvek mäsa, ako sú kuracie prsia alebo akéhokoľvek bravčové, môžu byť rošty potreté olejom pre zamedzenie pripálenia. Pečenie mäsa s vysokým obsahom tuku môže spôsobiť vzplanutie. K zamedzeniu vzplnutia tuk očistite alebo znížte teplotu.

GRILOVANIE NA ELEKTRICKOM GRILE

Predhrejte gril na HIGH počas doby 15-20 minút so zavretým vekom, potom nastavte požadovanú teplotu. Toto je pomocník na varenie pri vonkajšej teplote 22 ° C.

Ak chcete do Vašej kuchyne pridať osobitnú chuť, vyskúšajte Napoleon Woodchip - vonné drevené šupiny ako voľiteľný doplnok.

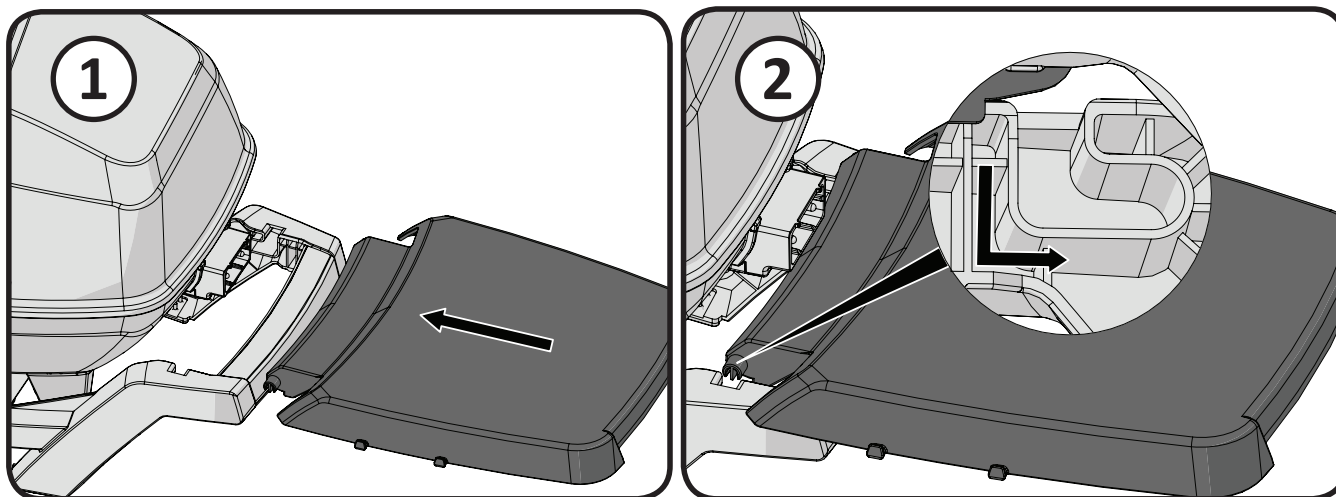
Jedlo	Nastavenie teploty	Približná doba grilovania	Užitočné rady
Steak 2.54cm hrubý	Vysoké nastavenie, 2 min. každá strana	4 min. – Rare	Pri výberaní mäsa na grilovanie požiadajte o ľahko prerastené. Mäso s vyšším obsahom tuku je pri grilovaní šťavnatejšie.
	Vysoké nastavenie, 2 min. každá strana potom Nastavenie médium	6 min. – Medium	
	Vysoké nastavenie, 2 min. každá strana potom Nastavenie médium	8 min. – Well done	
Hamburger 1.27cm hrubý	Vysoké nastavenie, 2 min. každá strana	4 min. – Rare	Príprava hamburgerov na prianie je ľahšia tým, že meníte hrúbku vášho mäsa.
	Vysoké nastavenie, 2 1/2 min. každá strana	5 min. – Medium	
	Vysoké nastavenie, 3 min. každá strana	6 min. – Well done	
Kuracie kúsky	Vysoké nastavenie, 2 min. každá strana potom nastavenie Stredne-Nízke až Nízke	20-25 min.	Kĺb, ktorý spája stehno s nohou v oblasti bez kože, by mal byť nakrájaný do ¼. To pomôže rýchlejšiemu a rovnomernejšiemu prepečeniu.
Bravčové kotlety	Médium	6 min. každá strana	Odstráňte prebytočný tuk pred grilovaním. Zvoľte si silnejšie kotlety, aby ste získali viac krehkosti.
Rebierka voľné	Vysoké nastavenie počas doby 5 minút Nízke na dokončenie	20 min. každá strana často otáčať	Vyberte rebierka, ktoré sú nízke a mäsité. Grilujte dovtedy kým nejde mäso od kosti.
Jahňacie kotletky	Vysoké nastavenie počas doby 5 minút Stredné na dokončenie	15 min. každá strana	Odstráňte prebytočný tuk pred grilovaním. Zvoľte si silnejšie kotlety, aby ste získali viac krehkosti.
Hot dogs	Stredné až Nízke nastavenie	4-6 min.	Vyberte radšej väčšiu veľkosť párkov.

Řiešenie problémov

Problém	Možné príčiny	Riešenie
Nedá sa zapnúť	Termostat je vypnutý. Bez prúdu. Poškodený termostat alebo mriežka.	Nastavte termostat na maximum. Zaistite, aby bol termostat plne osadený v doske grilu a správne zapojený do zásuvky Skúste inú zásuvku. Skontrolujte, či nie je vypnutý istič. Vráťte do správnej polohy. Nastavte termostat na maximum.. Predhrejte gril s uzavretým vekom počas doby 15 – 20 minút. Vymeňte termostat alebo mriežku.
Nízka teplota	Nesprávne predhriatie Nadmerné nahromadenie tuku v nádobe na jeho odkvapávanie	Predhrejte 15-20 minút. Zvýšte nastavenie termostatu. Odstráňte prebytočné nečistoty .
Nadmerné plamene/ nerovnomerné teplo	Nadmerný obsah tuku v mäse. Nadmerná teplota pečenia. Nárast mastnoty	Odstráňte tuk z mäsa pred grilovaním Podľa potreby upravte teplotu. Vyčistite gril
Vypadávanie ističa alebo vyhadzovanie poistiek	Prudké kolísanie prúdu. Ďalší spotrebič zapojený do rovnakého obvodu ako gril. Vlhkosť alebo voda v termostate alebo v elektrickom pripojení .	Pred zapojením do elektrickej zásuvky otočte regulátor do polohy OFF Na rovnakom okruhu nepoužívajte iné elektrické spotrebiče. Udržujte termostat a elektrické súčasti suché.

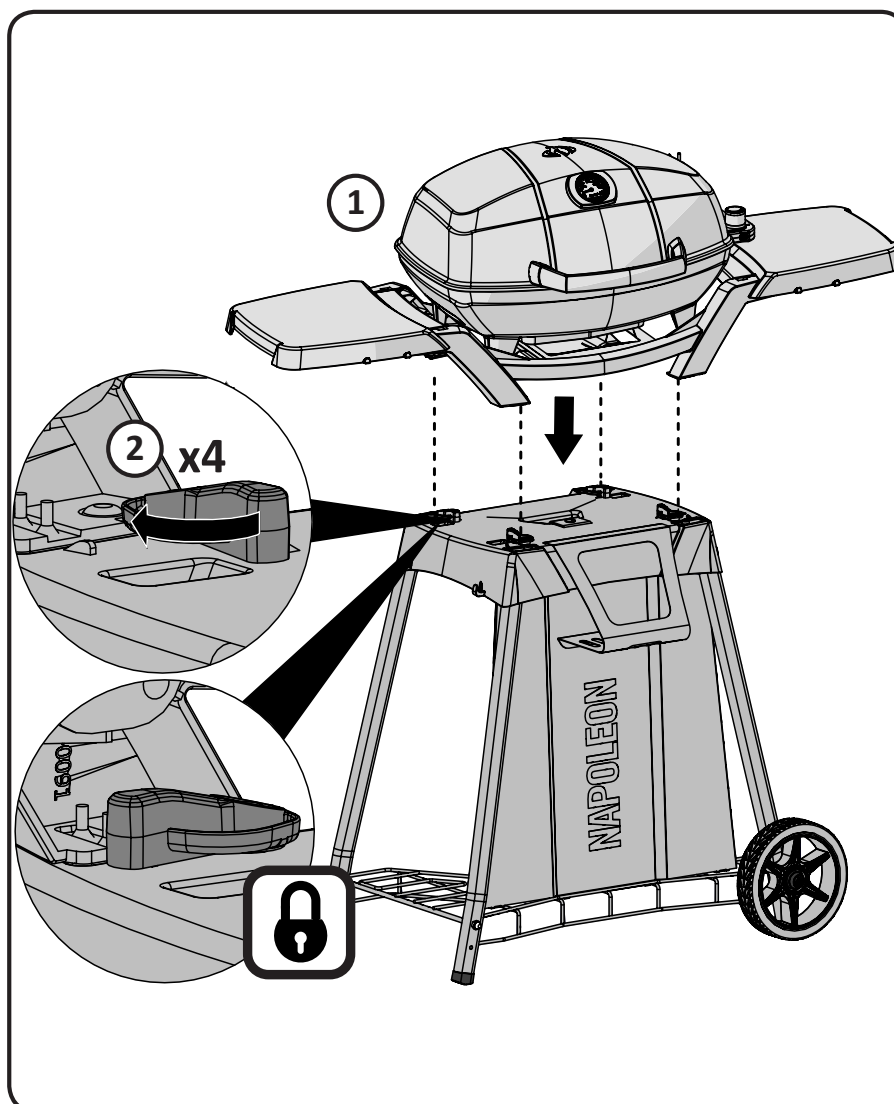
SK

VOLITEĽNÉ POLÍČKA



SK

VOLITEĽNÝ STOJAN



Návod na čistenie



VAROVANIE! Pri údržbe grilu používajte vždy ochranné rukavice a ochranné okuliare.

VAROVANIE! Aby nedošlo k popáleninám, je nutné prevádzať údržbu iba vtedy, ak je gril celkom vychladnutý. Vyhňte sa nechránenému kontaktu s horúcimi povrchmi. Skontrolujte, či je gril vypnutý. Čistite gril čistiacimi roztokmi iba v priestoroch, kde nehrozí poškodenie plôch podláh, trávnikov alebo terás. Nepoužívajte čistič trúby k čisteniu žiadnej časti tohto grilu. Nepoužívajte samočistiacu trúbu k čisteniu varných mriežok alebo iných častí grilu. Grilovacia omáčka a soľ môžu byť korozívne a môžu spôsobiť rýchle poškodenie súčastí grilu, ak nie sú pravidelne čistené.

Liatinové rošty na úpravu pokrmov: Liatinové rošty sú dodávané k Vášmu novému grilu a ponúkajú vynikajúcu schopnosť uchovania a distribúciu tepla. Pravidelným ošetrovaním (balzamovaním) roštu pridávate ochranný povlak, ktorý pomôže odolávať korózii a zvýšiť schopnosť nepríľnavosti pokrmov k roštu.

Prvé použitie: Rošty ručne umyte jemným mydlom a vodou, aby ste odstránili všetky zbytky z výrobného procesu (nikdy neumývajte v umývačke riadu). Dôkladne opláchnite horúcou vodou a dokonale vysušte mäkkou handričkou. To je dôležité, aby sa zabránilo vniknutiu vlhkosti do liatiny. Pri prvom zahriatí roštu sa uvoľní nepatrný zápach.

Ošetrovanie (balzamovanie): Vezmite jemnú handričku (látku) a rozotrite ňou RASTLINNÝ TUK po celej ploche roštu tak, aby boli všetky časti pokryté vrstvou tuku. Nepoužívajte tuky obsahujúce soľ ako sú masla alebo margaríny. Predhrejte gril – asi 15 minút a potom do neho vložte tukom potreté rošty. Otočte ovládací gombík horáka na stredné nastavenie so zavretým poklopom. Nechajte rošty približne pol hodiny, aby sa nahriali. Vypnite horák a odpojte prívod el. energie. Nechajte rošt na grile pokiaľ nevychladne. Tento proces by sa mal niekoľkokrát za sezónu opakovať, aj keď nebude používaný každý deň (na denné používanie informácie viď. nižšie)

Denné používanie: Pred predhriatím a čistením mosadznou kefou na grily, potrite celú plochu roštu rastlinným tukom. Predhrejte gril a potom zotrite nechcené zbytky z roštu kefkou.

Čistenie vnútorných priestorov grilu: Vyberte grilovacie rošty. K odstráneniu voľných nečistôt z vnútra veka použite mäkkú mosadznú drátenú kefu. Všetky nečistoty z grilu zmeťte do odnímateľnej odkvapávej misky. Potom vyberte túto misku. Nepoužívajte abrazívne čističe. K vyčisteniu ťažko odstrániteľných škvŕn použite mydlóvu vodu. Vyčistite neabrazívnym čistiacim prostriedkom vysušte čistou handričkou. Po opätovnom vložení roštu sa uistite o správnosti jeho umiestnenia.

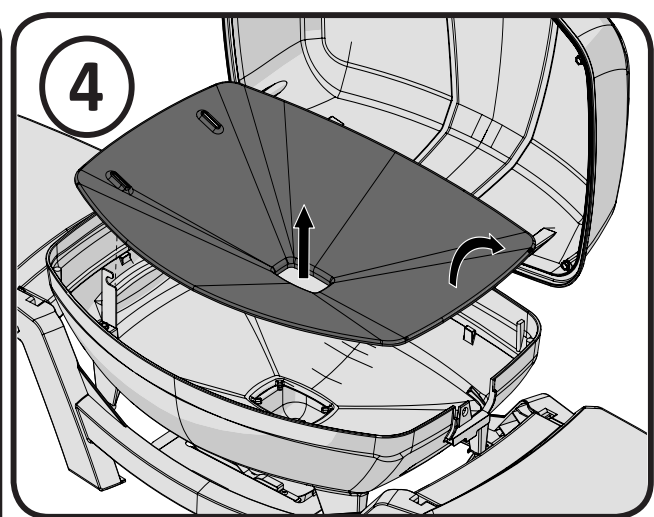
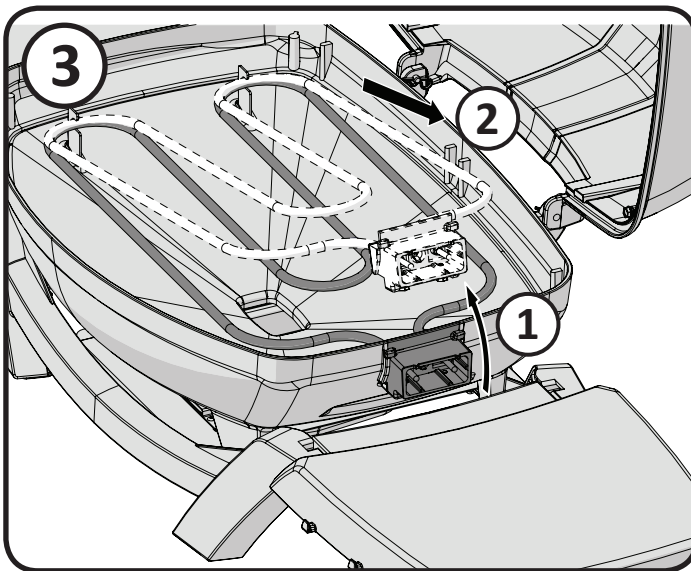
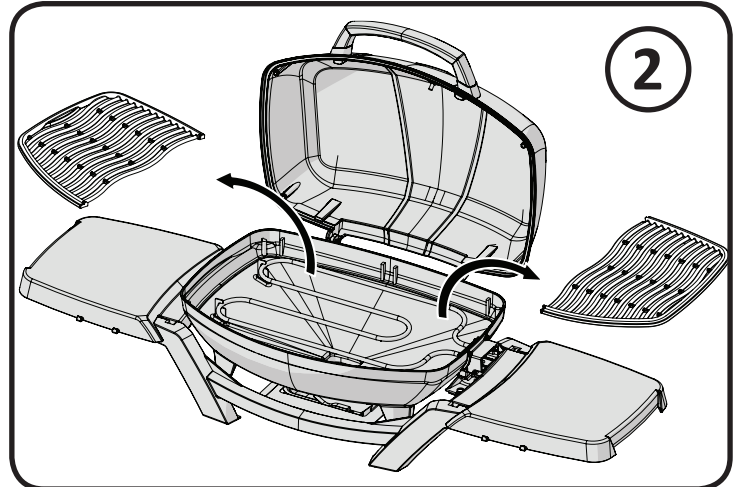
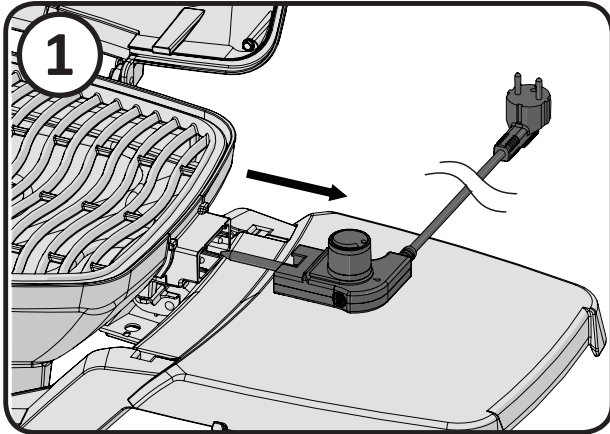
Odkvapávacia miska: Pre ľahké čistenie odkvapávaciu misku vysuňte. Aby sa zabránilo nahromadeniu mastnoty, misku je treba čistiť pravidelne (každých 4-5 použití). Dbajte na to, aby sa na grilovacom rošte a vo vnútri grilovacej vaničky nehromadil tuk. To dosiahnete pravidelným čistením rošta a vaničky medzi jednotlivými grilovaniami. Nesprávna údržba môže viesť ku vzplanutiu mastnoty čo môže spôsobiť vážne poranenia či dokonca smrť a taktiež škody na majetku.

Čistenie vonkajšej strany grilu: Nepoužívajte žiadne brusné čističe k čisteniu lakovaných častí. Nepoužívajte čističe obsahujúce kyseliny a rozpúšťadlá na ropnej báze. Pre ochranu vonkajšieho povrchu grilu použite jemnú handričku alebo kefku s jemným čistiacim prostriedkom. K vysušeniu použite suchú handričku.

Postup čistenia

Demontáž:

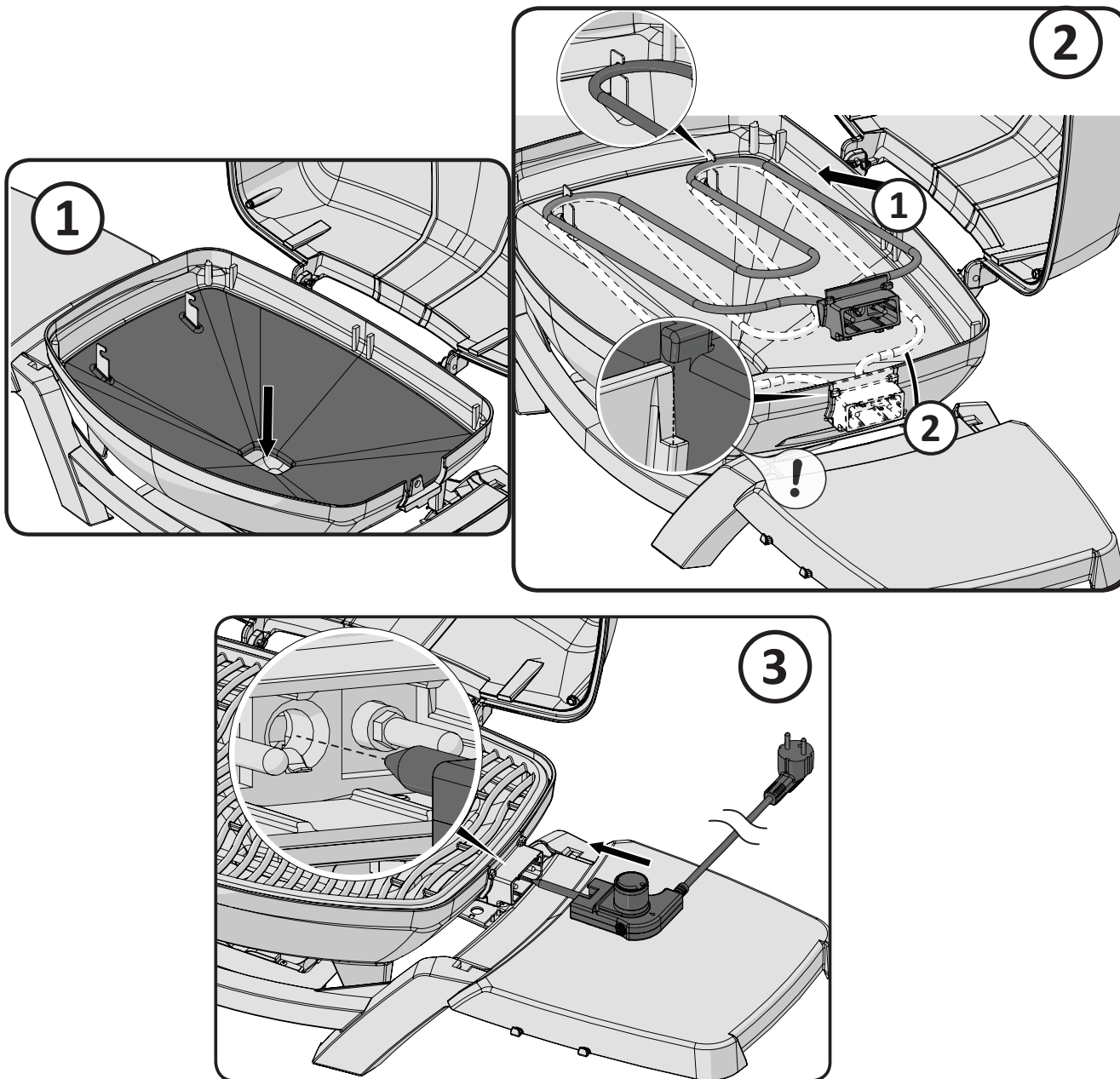
1. Odpojte kábel zo zásuvky a vyberte termostat.
2. Vyberte rošty.
3. Zatlačte pružinovú sponu a vyberte vykurovací prvok z grilu.
4. Vyberte vložku.



SK

Opätovné poskladanie:

1. Vložte naspäť vložku.
2. Umiestnite zakrivené konce vykurovacieho telesa naspäť do podporných svoriek.
3. Zapojte vykurovací článok na miesto.
4. Vložte termostat a rošty.



SK

Uschovajte účtenku ako doklad o nákupe na overenie vašej ZÁRUKY.

Objednávanie náhradných dielov

Informácie o záruke

MODEL: _____

DÁTUM NÁKUPU: _____

SÉRIOVÉ ČÍSLO: _____

(Záznam informácií pre ľahkú orientáciu)

Pri náhradných dieloch a záručných reklamáciách kontaktujte predajca Napoleonu, kde bol výrobok zakúpený.

Pred kontaktovaním predajca Napoleonov si pozrite webovú lokalitu Napoleon Grills pre rozsiahlejšie čistenie, údržbu, odstraňovanie porúch a pokyny k dielom na adrese www.napoleon.com.

Pre spracovanie reklamácie sú potrebné nasledujúce informácie:

1. Model a výrobné číslo prístroja.
2. Katalógové číslo a popis.
3. Stručný opis problému („zlomený“ nie je dostatočná).
4. Fotodokumentaci
5. Doklad o nákupe (fotokópie faktúry).

V niektorých prípadoch by Napoleon mohol požiadať, aby boli náhradné diely vrátené do závodu na kontrolu pred tým, než budú poskytnuté náhradné diely.

Pred kontaktovaním predajca Napoleon si prosím všimnite, že záručné podmienky sa nevzťahujú na nasledujúce položky:

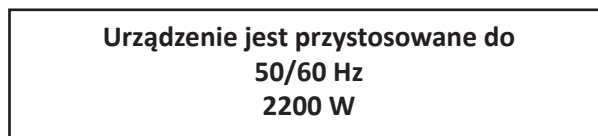
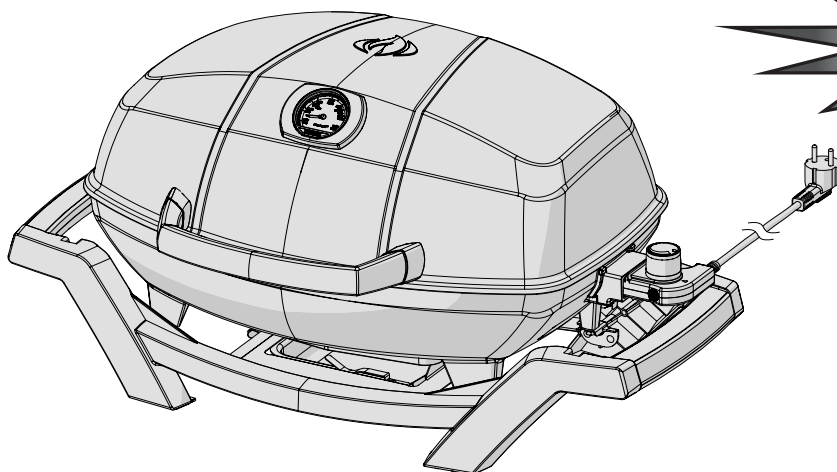
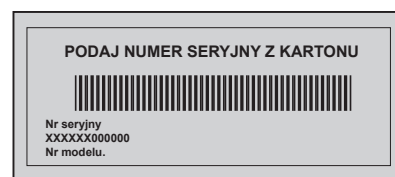
- Náklady na dopravu, sprostredkovanie alebo vývozného cla.
- Náklady na pracovnú silu na odstránenie a reinštaláciu.
- Náklady na službu volania a diagnostika problému.
- Zafarbenie dielov z nerezovej ocele.
- Zlyhanie časti kvôli nedostatku údržby, alebo použitie nevhodných čistiacich prostriedkov (istiaci rúru).

SK



SK





PL



OSTRZEŻENIE! Nieprzestrzeganie instrukcji zawartych w tym podręczniku grozi pożarem, wybuchem lub poparzeniem, które może spowodować uszkodzenie własności, obrażenia ciała lub śmierć. Przeczytaj i przestrzegaj wszystkich ostrzeżeń i instrukcji zawartych w tym podręczniku przed uruchomieniem grilla.



OSTRZEŻENIE!

- Tylko do użytku na zewnątrz
- Podczas korzystania z zasilanych urządzeń należy zawsze przestrzegać podstawowych zasad bezpieczeństwa, w tym poniższych, w celu zmniejszenia ryzyka pożaru, porażenia elektrycznego, obrażeń ciała i szkód materialnych.
- Zachowaj ten podręcznik na przyszłość.



N415-0478E MAR 14.19

Wolf Steel Europe BV
 Poppenbouwing 29-31, 4191 NZ Geldermalsen,
 CCI No. 51509970, THE NETHERLANDS
info@napoleongrills.nl

www.napoleon.com

10-letnia ograniczona gwarancja Napoleon



Produkty NAPOLEON są zaprojektowane z najwyższej klasy komponentów i materiałów oraz są montowane przez wyszkolonych rzemieślników, którzy są dumni ze swojej pracy. Przed przystąpieniem do pakowania i wysyłki produkt został dokładnie sprawdzony przez wykwalifikowanego technika w celu zapewnienia, że klient otrzyma produkt, którego oczekuje od firmy NAPOLEON.

NAPOLEON gwarantuje, że komponenty nowego produktu NAPOLEON będą wolne od wad materiałowych i produkcyjnych od daty zakupu przez następujący okres:

Odełwy aluminiowe oraz podstawa ze stali nierdzewnej	10 lat
Emaliowane osłona przeciwłuszczowa.....	5 lat pełnej ochrony, plus 50% rabatu na części do 10 lat
Emaliowane ruszty żeliwne.....	5 lat pełnej ochrony, plus 50% rabatu na części do 10 lat
Element grzejny i termostat	2 lata
Pozostałe elementy	2 lata

*Warunki i ograniczenia

Niniejsza ograniczona gwarancja tworzy okres gwarancji określony w powyższej tabeli dla każdego produktu zakupionego przez autoryzowanego dealera firmy NAPOLEON oraz uprawnia pierwotnego nabywcę do określonej ochrony w odniesieniu do jakiegokolwiek elementu wymienionego w okresie gwarancji przez firmę NAPOLEON lub autoryzowanego dealera firmy NAPOLEON, do wymiany komponentu takiego produktu, którego użytkowanie, w wyniku wad produkcyjnych, nie było możliwe przy normalnej eksploatacji do celów prywatnych. Rabat 50% wskazany w tabeli oznacza, że dany komponent będzie mógł być zakupiony przez nabywcę z 50% rabatem od ceny detalicznej we wskazanym okresie. Niniejsza ograniczona gwarancja nie obejmuje akcesoriów ani elementów premiowych.

Dla pewności, „użytkowania prywatne” produktu oznacza, że produkt: został zainstalowany przez licencjonowanego autoryzowanego technika lub wykonawcę, zgodnie z instrukcjami montażu dołączonymi do produktu oraz zgodnie ze wszystkimi lokalnymi i krajowymi przepisami budowlanymi i przeciwpożarowymi; był właściwie konserwowany; i nie był wykorzystywany jako obiekt użyteczności publicznej lub do zastosowań komercyjnych.

Podobnie, „awaria” nie obejmuje: przegrzewania, wybuchów płomieni spowodowanych przez warunki atmosferyczne takie jak silny wiatr lub z powodu niedostatecznej wentylacji, zadrapań, wgłęć, korozji, odchodzenia farby, odbarwienia spowodowanego przez ciepło, chemiczne lub ścierny środki czyszczące lub działanie promieni UV, odpryskiwanie porcelanowych elementów lub uszkodzeń spowodowanych niewłaściwym użyciem, wypadkiem, gradem, zapaleniem się tłuszczu, brakiem konserwacji, obecnością szkodliwych substancji jak sól lub chlor, przeróbkami, nadużyciem, zaniedbaniem lub montowaniem nieoryginalnych części zamiennych. W przypadku pogorszenia się jakości części z powodu niewłaściwego działania urządzenia (rdzy lub przepalenia) w czasie trwania gwarancji, część zamienna zostanie dostarczona.

Wymieniany komponent jest wyłączną odpowiedzialnością NAPOLEON określoną niniejszą ograniczoną gwarancją; w żadnym wypadku firma NAPOLEON nie będzie ponosić odpowiedzialności za montaż pracę lub inne koszty lub wydatki związane z ponownym montażem części gwarancyjnej, za jakiegokolwiek przypadkowe, wtórne lub pośrednie ani za jakiegokolwiek koszty transportu, pracy i wywozowe należności celne.

Ograniczona gwarancja jest udzielana w uzupełnieniu wszelkich praw przyznanych Państwu przez lokalne przepisy prawa. W związku z tym niniejsza ograniczona gwarancja nie nakłada na firmę NAPOLEON obowiązku posiadania części zapasowych na magazynie. W zależności od dostępności części, firma NAPOLEON może według własnego uznania wywiązać się ze wszystkich zobowiązań, dostarczając klientowi proporcjonalny kredyt na nowy produkt. Po pierwszym roku w odniesieniu do tej ograniczonej gwarancji, firma NAPOLEON może, według własnego uznania, w pełni wywiązać się ze wszystkich zobowiązań związanych z niniejszą gwarancją, zwracając pierwotnemu nabywcy chronionemu gwarancją cenę hurtową jakiegokolwiek objętej gwarancją, ale wadliwej części.

W przypadku składania w firmie NAPOLEON roszczeń gwarancyjnych, wymagane jest przedstawienie dokumentu sprzedaży lub jego kopii wraz z numerem modelu.

Firma NAPOLEON zastrzega sobie prawo do sprawdzenia jakiegokolwiek produktu lub części przez swojego przedstawiciela przed zaakceptowaniem roszczenia gwarancyjnego. Należy skontaktować się z Działem Obsługi klienta firmy NAPOLEON lub autoryzowanym sprzedawcą NAPOLEON w celu uzyskania świadczenia z tytułu gwarancji.



www.napoleon.com



OSTRZEŻENIE! Przeczytaj wszystkie instrukcje przed rozpoczęciem użytkowania.

Bezpieczne praktyki operacyjne

- Używaj tego grilla wyłącznie zgodnie z opisem w instrukcji. Każde inne użycie niezalecane w tej instrukcji może spowodować pożar, porażenie prądem lub obrażenia osób.
- Ten grill jest przeznaczony wyłącznie do użytku domowego. Nie używaj w pomieszczeniach ani w kuchniach komercyjnych.
- W żaden sposób nie zmieniaj tego produktu ani jego użycia.
- Nie używaj węgla drzewnego ani innych paliw palnych w tym grillu. Ten grill nie jest przeznaczony do użycia z węglem aktywnym i może to spowodować pożar. Pożar może stworzyć niebezpieczny stan i uszkodzenie grilla.
- Nie buduj tego modelu grilla w żadnej wbudowanej lub wsuwanej konstrukcji. Zignorowanie tego ostrzeżenia może spowodować pożar lub wybuch, który może uszkodzić własność lub spowodować poważne obrażenia ciała lub śmierć.

Zabezpieczenia elektryczne:

- To urządzenie jest zgodne ze standardami technicznymi i wymogami bezpieczeństwa dla urządzeń elektrycznych.
- Zawsze upewnij się, że używane gniazdko elektryczne ma prawidłowe napięcie, zależnie od mocy wejściowej urządzenia. Wyloty muszą być również odpowiednie dla urządzeń o poborze mocy 2200 watów.
- Upewnij się, że żadne inne urządzenia o wysokiej mocy nie są podłączone do tego samego obwodu podczas korzystania z grilla.
- Urządzenie powinno być podłączone do gniazdka posiadającego styk uziemiający.
- Zasilanie elektryczne powinno być zapewnione przez urządzenie prądu szczytkowego (RCD) o nominalnym resztkowym prądzie roboczym nieprzekraczającym 30 mA.
- Nie używaj urządzenia, jeśli gniazdko wtykowe jest uszkodzone.
- Przewód zasilający powinien być regularnie sprawdzany pod kątem uszkodzeń, a urządzenia nie należy używać, jeśli przewód jest uszkodzony.
- Nie używaj grilla z kontrolerem temperatury z uszkodzonym przewodem lub wtyczką. Jeśli przewód zasilający jest uszkodzony, musi zostać wymieniony na specjalny zestaw dostępny od Napoleona lub autoryzowanego dystrybutora Napoleona.
- W przypadku korzystania z przedłużacza, musi on być zaprojektowany do użytku na zewnątrz i oceniony pod kątem mocy wejściowej wymaganej przez urządzenie.
- Nie łącz razem dwóch lub więcej przedłużaczy.

Operacje bezpieczeństwa:

- Zawsze podłącz kontroler temperatury do grilla przed podłączeniem przewodu zasilającego do gniazdka. Wyjmując regulator temperatury z grilla, należy najpierw odłączyć go od gniazdka.
- Pociągnięcie sterownika za pokrętko może spowodować jego wyłączenie. Wymontuj regulator temperatury chwytając go na boku.
- Jeśli wystąpi nawrót, nie używaj wody do gaszenia ognia. Ustaw grill na WYŁ. Odłącz przewód zasilający i poczekaj, aż grill ostygnie.
- Trzymaj wtyczkę i przewód do wyschnięcia, gdy są w użyciu. Nie używaj elektrycznego grilla podczas deszczu.
- Obsługuj grill tylko na równej, stabilnej powierzchni.
- Nie pozwól, aby przewód dotykał grilla, gdy jest gorący.
- Tacka na tłuszcz musi być zawsze na miejscu podczas pracy z grilla.
- Nie ruszaj grilla, gdy jest on w użyciu.
- Nie pozostawiać grilla bez nadzoru, gdy jest używany.
- Trzymaj małe dzieci, osoby starsze i zwierzęta domowe z dala, gdy grill jest w użyciu. Dzieci nie mogą bawić się urządzeniem.
- Z tego urządzenia mogą korzystać dzieci w wieku od 8 lat i starsze oraz osoby o ograniczonych zdolnościach fizycznych, sensorycznych lub umysłowych lub z brakiem doświadczenia i wiedzy, jeśli zostały one objęte nadzorem lub instrukcją użytkowania urządzenia w bezpieczny sposób i rozumieją zagrożenia.
- Dzieci powinny być nadzorowane podczas czyszczenia i konserwacji grilla.
- Nie używaj grilla w pobliżu materiałów łatwopalnych, takich jak drewno, sucha trawa, krzewy itp.
- Nie dopuszczaj do kontaktu grilla z łatwopalnymi materiałami, takimi jak papier, ściany, draperie, ręczniki, chemikalia itp.
- Nie używaj grilla w miejscach o dużym natężeniu ruchu. Zlokalizuj przewód zasilający z dala od obszarów ruchu.
- Aby chronić grill, nie korzystaj z grilla w odległości 3 m / 10 stóp od basenu, stawu lub innego zbiornika wodnego.
- Nie używać jako grzejnika.
- Przed przeniesieniem lub przechowywaniem urządzenia pozwól mu ostygnąć.

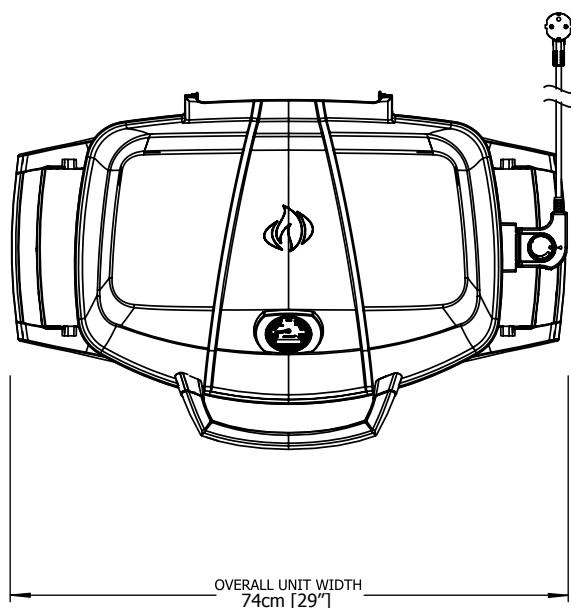
Czyszczenie:

- Regularnie czyść miskę ociekową.
- Podczas czyszczenia nie zanurzaj elementów elektrycznych w wodzie.
- Aby chronić się przed porażeniem prądem elektrycznym, nie należy zanurzać wtyczki, przewodu lub kontrolera temperatury w wodzie ani w żadnym płynie.

Przechowywanie:

- Odłącz grill, gdy nie jest używany, i utrzymuj wtyczkę oraz przewód zasilający suche.
- Nie pozostawiaj kontrolera temperatury w pozycji ON podczas okresów nieużywania.
- Zawsze przechowywać regulator temperatury w pomieszczeniu, gdy nie jest używany.
- Podczas długiego nieużywania zdejmij regulator temperatury z grilla

WYMIARY

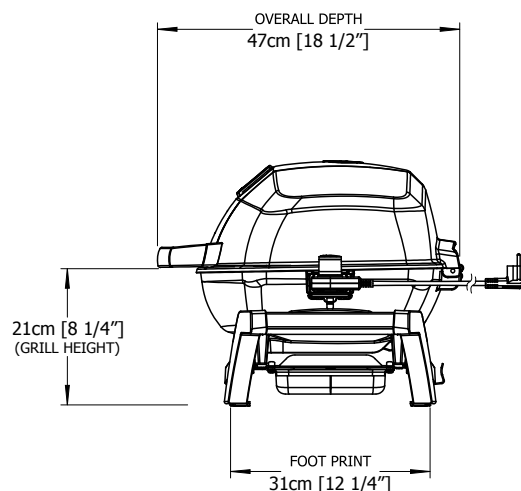
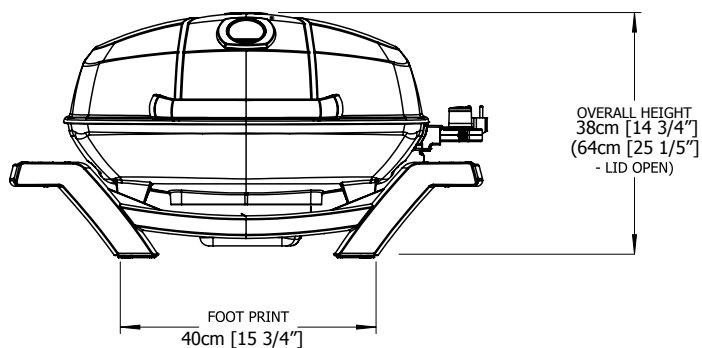


PRO285E GRILL

GRILL SIZE: 37cm X 54cm (IRREGULAR) = 1840 cm² (14 1/2" X 21 1/4" (IRREGULAR) = 285 in²)

ALL DIMENSIONS ARE APPROXIMATE

PL



UWAGA! Podczas rozpakowywania i montażu zalecamy stosowanie rękawic roboczych i okularów ochronnych. Pomimo, iż dokładamy wszelkich starań, aby proces montażu był łatwy i bezpieczny, charakterystyczne dla produkowanych części stalowych jest to, że krawędzie i narożniki mogą być ostre i mogą powodować skaleczenia w przypadku niewłaściwego manipulowania nimi.

Prawidłowe usunięcie produktu

To oznaczenie oznacza, że produkt ten nie powinien być wyrzucany razem z innymi odpadami domowymi w całej UE. Aby zapobiec potencjalnym szkodom dla środowiska lub zdrowia ludzkiego w wyniku niekontrolowanego usuwania odpadów, należy je poddać recyklingowi w celu promowania zrównoważonego ponownego wykorzystania zasobów materialnych. Aby zwrócić zużyte urządzenie, należy skorzystać z systemów zwrotu i odbioru lub skontaktować się ze sprzedawcą, u którego zakupiono produkt. Mogą zabrać ten produkt do bezpiecznego dla środowiska recyklingu.

Instrukcje gotowania



OSTRZEŻENIE! Nie używaj tego grilla pod opuszczonymi markizami. Nieprzestrzeganie tych instrukcji może spowodować pożar lub obrażenia ciała.



NIEBEZPIECZEŃSTWO! Przed przeniesieniem lub przechowywaniem należy pozwolić, aby grill ostygł w dotyku. Nieprzestrzeganie tego może spowodować pożar powodujący uszkodzenie własności, obrażenia ciała lub śmierć.

Po zapaleniu po raz pierwszy grill wydziela delikatny zapach. Jest to normalny stan tymczasowy spowodowany spalaniem wewnętrznych farb i smarów stosowanych w procesie produkcyjnym i nie powtórzy się. Uruchoń termostat na wysokim poziomie przy otwartej pokrywie przez około pół godziny. Podczas gotowania bardzo chudych mięs, takich jak piersi z kurczaka lub chuda wieprzowina, kratki można naoliwić przed podgrzaniem, aby zmniejszyć przywieranie. Gotowanie mięsa o wysokiej zawartości tłuszczu może powodować nawroty. Obetnij trochę tłuszczu lub zmniejsz temperaturę, aby temu zapobiec.

Tabela grillowania

Rozgrzej na HIGH przez 15-20 minut przy zamkniętej pokrywie, a następnie ustaw na żądaną temperaturę. Jest to wskazówka do gotowania w temperaturze zewnętrznej 22 ° C.

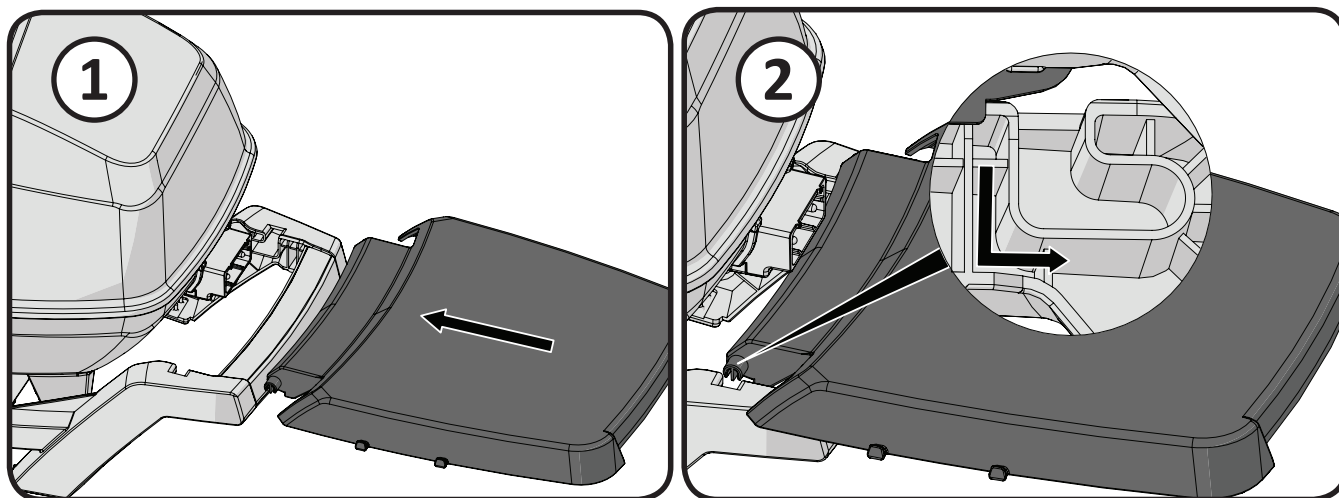
Aby dodać swojej kuchni wyjątkowego smaku, wypróbuj tubę do wędzenia Napoleon z różnego rodzaju zębami jako dodatkowe wyposażenie.

Jedzenie	Ustawienia sterowania	Czas gotowania	Przydatne sugestie
Stek Grubość 2,54 cm (1 cal)	Wysokie ustawienie, 2 min. każda strona Wysokie ustawienie, 2 min. każda strona następnie ustawienie Średnie Wysokie ustawienie, 2 min. każda strona następnie ustawienie Średnie	4 min. - krwisty 6 min. – Średnio wysmażony 8 min. – dobrze wysmażony	Wybierając mięso do grillowania, poproś o marmurkowy rozkład tłuszczu. Tłuszcz działa jako naturalny środek zmiękczający podczas gotowania i utrzymuje go w wilgotnym i soczystym stanie
Hamburger Grubość 1,27 cm (1/2 cala)	Wysokie ustawienie, 2 min. każda strona Wysokie ustawienie, 2 1/2 min. każda strona Wysokie ustawienie, 3 min. każda strona	4 min. – krwisty 5 min. – średnio wysmażony 6 min. – dobrze wysmażony	Przygotowanie hamburgerów do zamówienia jest łatwiejsze dzięki zmianie grubości hamburgera
Kawałki kurczaka	Wysokie ustawienie, 2 min. każda strona następnie ustawienie od średniego do niskiego	20-25 min.	Złącze łączące udo i nogę od strony bez skóry powinno być podzielone na 3/4, aby mięso leżało płasko na grillu. Pomaga to gotować szybciej i bardziej równomiernie.
Kotlety wieprzowe	Średnie	6 min. na każdą stronę	Odetnij nadmiar tłuszczu przed grillowaniem. Wybierz grubsze kotlety, aby uzyskać bardziej delikatne wyniki.
Żeberka	Wysokie ustawienie przez 5 minut Niska do końca	20 min. na każdą stronę Często przekręcać	Wybierz żeberka, które są chude i mięsiste. Grilluj, aż mięso łatwo oderwie się od kości.
Kotlety jagnięce	Wysokie ustawienie przez 5 minut Średni do końca	15 min. na każdą stronę	Odetnij nadmiar tłuszczu przed grillowaniem. Wybierz dodatkowe grube kotlety, aby uzyskać bardziej delikatne wyniki.
Hot dogi	Średnie- niskie	4-6 min.	Wybierz większe parówki. Przed grillowaniem rozetnij skórki wzdłuż.

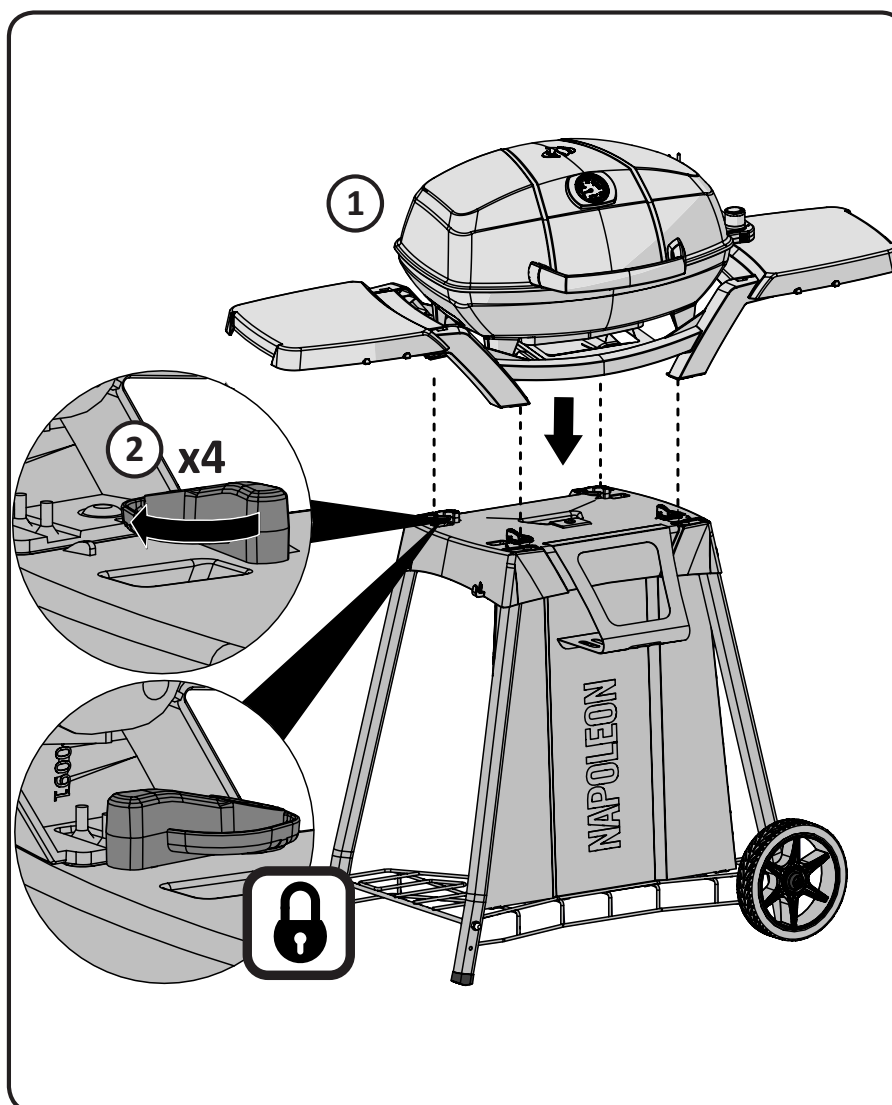
Rozwiązywanie problemów

Problem	Możliwe przyczyny	Rozwiązanie
Brak grzania	Wyłączony termostat. Brak mocy. Uszkodzony termostat lub płyta grillowa.	Ustaw termostat na maksymalne ustawienie. Upewnij się, że termostat jest całkowicie osadzony w płycie grilla i prawidłowo podłączony do gniazdka. Spróbuj innego gniazdka. Sprawdź wyłącznik automatyczny. Nastawić. Ustaw termostat na maksymalne ustawienie. Ogrzewanie wstępne z zamkniętą pokrywą na 15-20 minut. Wymienić termostat lub płytę grilla.
Słabe grzanie	Niewłaściwe podgrzewanie Nadmierne nagromadzenie w podstawie grilla.	Rozgrzej grilla przez 15-20 minut. Zwiększ ustawienie termostatu. Wyczyść nadmiar tłuszczu w podłożu.
Nadmierne zaostżenia / nierównomierne ciepło.	Nadmiar tłuszczu w mięsie. Nadmierna temperatura gotowania. Nagromadzenie tłuszczu.	Ucinaj tłuszcz z mięsa przed grillowaniem. Dostosuj temperaturę do potrzeb. Wyczyść grilla.
Wyłączenie lub przepalenia bezpiecznika.	Wzrost mocy Inne urządzenie podłączone do tego samego obwodu co grill. Wilgoć lub woda w termostacie lub połączeniach elektrycznych.	Obróć sterownik do pozycji OFF przed podłączeniem do gniazdka elektrycznego. Nie używaj innych urządzeń elektrycznych w tym samym obwodzie. Utrzymuj termostat i elementy elektryczne w stanie suchym.

OPCJONALNA PÓŁKA



OPCJONALNA PODSTAWA



PL



Instrukcja czyszczenia

UWAGA! Zawsze noś rękawice ochronne i okulary podczas obsługiwaną grilla.

UWAGA! Aby uniknąć oparzeń, konserwację należy przeprowadzać tylko wtedy, kiedy grill jest chłodny. Unikaj niezabezpieczonego kontaktu z gorącymi powierzchniami. Upewnij się, że wszystkie palniki są wyłączone. Wyczyść grill w miejscu, gdzie substancje czyszczące nie uszkodzą pokładu, trawników ani patio. Nie używaj substancji do czyszczenia piekarnika aby czyścić jakiegokolwiek części tego grilla. Nie używaj substancji samoczyszczącej do piekarnika do czyszczenia krat do gotowania lub innych części grilla. Sos barbecue i sól mogą być żrące i spowodują gwałtowne pogorszenie się elementów grilla, chyba że będą czyszczone regularnie.

Żeliwne ruszty do gotowania: Żeliwne ruszty do gotowania dostarczone wraz z nowym grillem zapewniają doskonałe zatrzymywanie ciepła i jego dystrybucję. Regularnie przyprowadzając kratki, dodajesz powłokę ochronną, która pomoże w zabezpieczeniu przed korozją i zwiększy twoje zdolności zapobiegające przywieraniu.

Pierwsze użycie: Umyj żeliwne kratki ręcznie łagodnym mydłem do naczyń i wodą, aby usunąć wszelkie pozostałości z procesu produkcyjnego (nigdy nie myć w zmywarce do naczyń). Przemyc dokładnie gorącą wodą i osuszyć całkowicie miękką ściereczką. Jest to ważne, aby uniknąć przedostawania się wilgoci do żeliwa. Po zapaleniu po raz pierwszy grill wydziela delikatny zapach.

Przypawa: za pomocą miękkiej szmatki rozprowadź TŁUSZCZ na całej powierzchni kraty, aby wszystkie rowki i rogi były zakryte. Nie należy używać solonych tłuszczów, takich jak masło lub margaryna. Wstępnie podgrzej grill przez 15 minut, a następnie umieść przypawione ruszty do gotowania w grillu. Obróć pokrętkę palnika na pozycję średnią przy zamkniętej pokrywie. Pozwól, aby siatki do gotowania rozgrzały się przez około pół godziny. Obróć kontroler do pozycji WYŁ. I pozostaw ruszty do gotowania do ostygnięcia. Tę procedurę należy powtarzać kilka razy w ciągu sezonu, chociaż nie jest ona wymagana do codziennego użytku (należy przestrzegać następującej codziennej procedury użytkowania).

Codziennie użytkowanie: Przed rozgrzaniem i czyszczeniem szczotką z mosiądzu należy pokryć całą górną powierzchnię rusztu tłuszczem warzywnym. Wstępnie podgrzej grill, a następnie usuń wszelkie niechciane pozostałości za pomocą mosiężnej drucianej szczotki.

Czyszczenie wnętrza grilla: Wyjmij ruszty do gotowania. Użyj miękkiej mosiężnej szczotki drucianej do czyszczenia luźnych zanieczyszczeń z wnętrza pokrywy. Wyczyść wszystkie zanieczyszczenia z wnętrza grilla w wyjmowanej misie ociekowej. Usuń podstawową wkładkę (pojemnik na tłuszcz). Nie używaj ściernych środków czyszczących do czyszczenia porcelanowej wykładziny bazowej. Aby usunąć uporczywe plamy, zanurz je w wodzie z mydłem, aby poluzować brud. Wyczyść za pomocą nieściernego środka czyszczącego i wytrzyj do sucha czystą szmatką. Upewnij się, że płyta grilla jest prawidłowo umieszczona podczas ponownej instalacji.

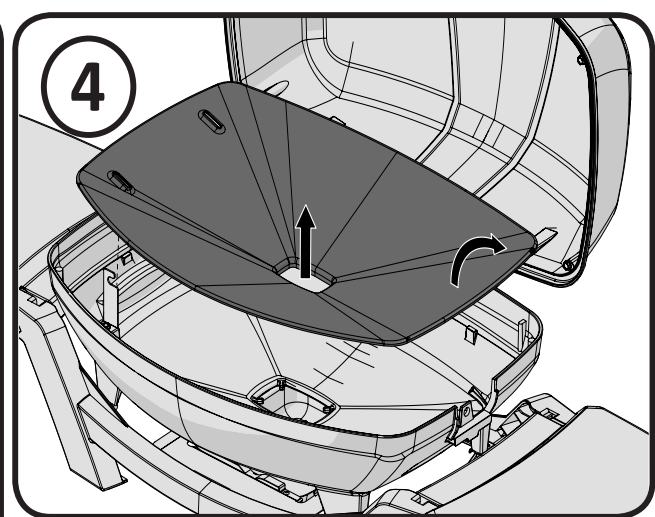
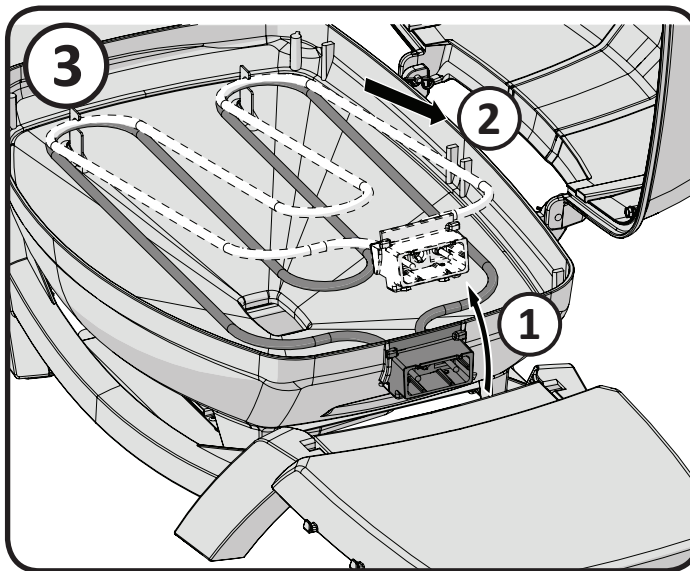
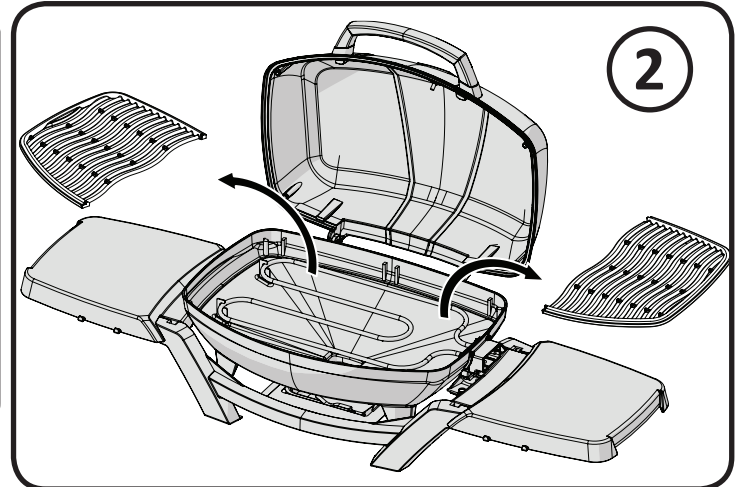
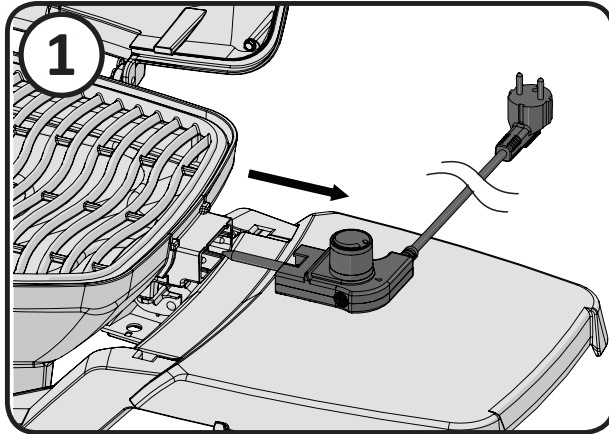
Taca ociekowa: Przesuń miskę ociekową dla ułatwienia czyszczenia. Należy ją czyścić często (co 4-5 użyć), aby uniknąć gromadzenia się tłuszczu. W tacy ociekowej umieszczonej pod grillem gromadzą się smary i nadmiar smaru. Nagromadzony smar może spowodować zagrożenie pożarem. Nie wyścielać tacy ociekowej folią aluminiową, ponieważ może to uniemożliwić odpowiednią ilość powietrza potrzebnego do działania palnika. Rondel należy wyskrobać szpachelką lub skrobakiem.

Czyszczenie zewnętrznej części grilla: Do czyszczenia lakierowanych części nie używaj żadnych szorstkich środków czyszczących. Aby zabezpieczyć wykończenie szkliwa, użyj lekkiego detergentu z miękką ściereczką lub pędzlem, aby wytrzeć i usunąć wszelkie kwaśne pozostałości. Wytrzyj na sucho czystą szmatką.

Kroki czyszczenia

Demontaż:

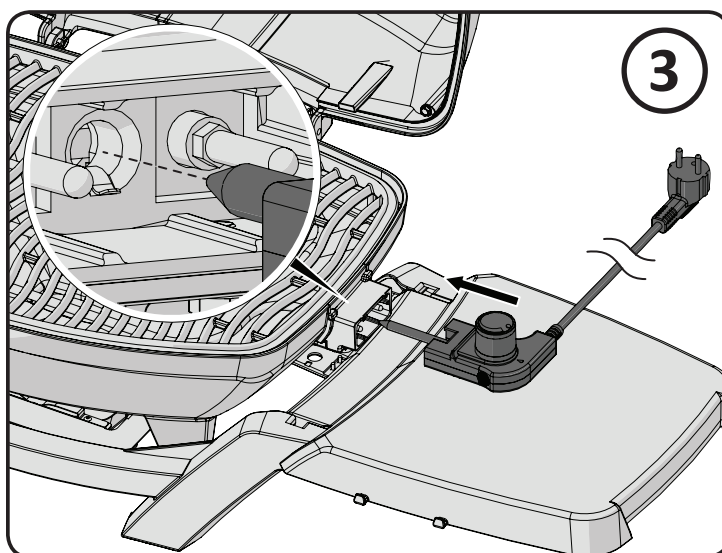
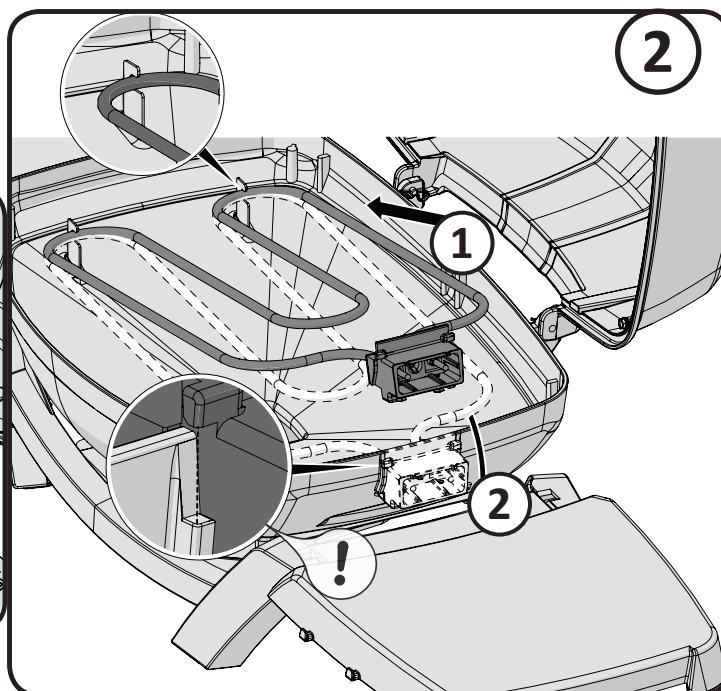
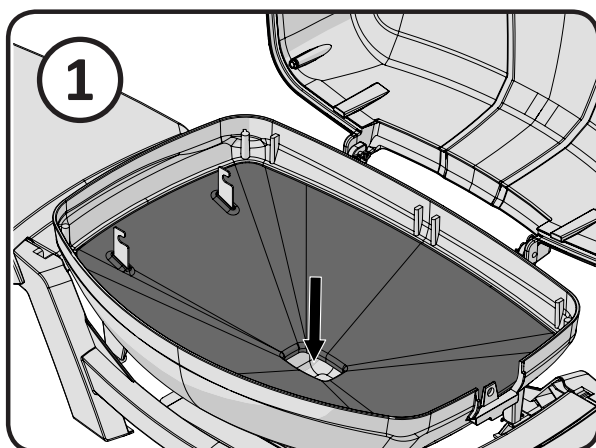
1. Odłączyć przewód z kontaktu i zdejmij termostat.
2. Usunąć ruszty do gotowania.
3. Wcisnąć zacisk sprężyny i podnieść element grzejny z grilla.
4. Usunąć podstawową wkładkę.



PL

Ponowny montaż:

1. Ponownie włóż podstawową wkładkę.
2. Umieść zakrzywione końce elementu grzewczego z powrotem w klipsach podtrzymujących.
3. Zamocuj element grzejny na miejscu.
4. Ponownie włóż termostat i ruszty do gotowania.



**ZACHOWAJ PARAGON JAKO DOWÓD ZAKUPU, ABY POTWIERDZIĆ
GWARANCJĘ.**

Zamawianie Części Zamiennech

Informacje o gwarancji

MODEL: _____

DATA ZAKUPU: _____

NUMER SERYJNY: _____

(Wpisz informacje dla łatwego odniesienia)

Skontaktuj się bezpośrednio z lokalnym dystrybutorem (odwołaj się do listy dystrybutorów dostarczonej razem z grillem) w celu zamówienia części zamiennych lub złożenia reklamacji.

Przed skontaktowaniem się rozwiązań specjalne, sprawdź stronę Napoleon, odnośnie szerszego czyszczenia, konserwacji, rozwiązywania problemów i instrukcji wymiany części na www.napoleon.com.

Aby przetworzyć roszczenie, musimy otrzymać następujące informacje:

1. Model i numer seryjny urządzenia.
2. Numer części i opis.
3. Zwięzły opis problemu ('zepsuty' nie wystarczy)
4. Dowód zakupu (kserokopia faktury).

W niektórych przypadkach przedstawiciel obsługi klienta może poprosić o zwrot części w celu inspekcji przed dostarczeniem części zamiennych.

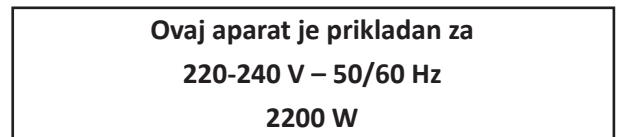
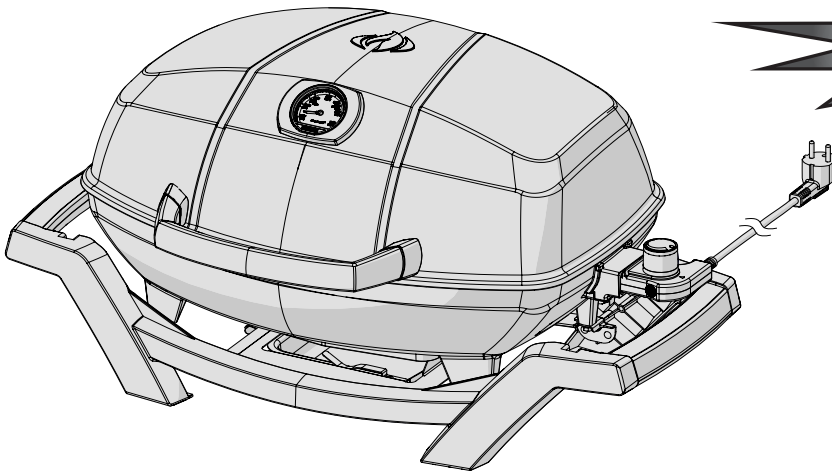
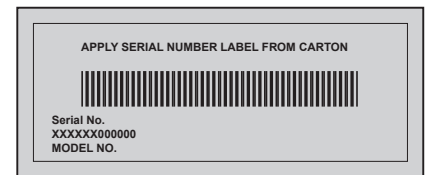
Przed skontaktowaniem się z działem obsługi klienta, proszę zauważyć, że następujące elementy nie są objęte gwarancją:

- Koszty transportu, prowizje i cła wywozowe.
- Koszty pracy dotyczące usunięcia lub ponownej instalacji.
- Koszty połączeń serwisowych w celu zdiagnozowania problemów.
- Przebarwienia części stali nierdzewnej.
- Awaria części wynikająca z braku czyszczenia lub konserwacji, lub używania nieodpowiednich środków czyszczących (środków do czyszczenia piekarnika).



PL





HR



UPOZORENJE! Nepridržavanje uputa iz ovog priručnika može dovesti do požara, eksplozije ili zapaljivosti koja bi mogla prouzročiti oštećenje imovine, tjelesne ozljede ili smrt. Pročitajte i pratite sva upozorenja i upute u ovom priručniku prije rada na roštilju.



UPOZORENJE!

- Samo za vanjsku uporabu
- Kod uporabe naprava s napajanjem, uvijek se moraju poštivati osnovne sigurnosne mjere, uključujući sljedeće, kako bi se smanjio rizik od požara, strujnog udara, ozljeda i materijalnih šteta.
- Zadržite ovaj priručnik za buduće informacije.



N415-0478E MAR 14.19

Wolf Steel Europe BV
Poppenbouwing 29-31, 4191 NZ Geldermalsen,
CCI No. 51509970, THE NETHERLANDS
info@napoleongrills.nl

www.napoleon.com

Napoleon President's 10 godina ograničena garancija



NAPOLEON proizvodi su dizajnirani s vrhunskim komponentama i materijalima, a sastavljaju ih obučeni majstori, koji se ponose svojim radom. Ovaj proizvod je temeljito pregledan od strane kvalificiranog tehničara prije pakiranja i dostave kako bi se osiguralo da, kupac, dobijete kvalitetan proizvod koji očekujete od NAPOLEON-a.

NAPOLEON garantira, da se dijelovi vašeg novog NAPOLEON proizvoda neće oštetiti u periodu od datuma kupnje do:

Djelovi od lijevanog aluminija / kućište od nehrđajućeg čelika.....	10 godina
Emajlirane - štitnik za masnoću.....	5 godina puno jamstvo, uz popust od 50% do 10 godina
Emajlirane rešetke za pečenje od lijevanog željeza	5 godina puno jamstvo, uz popust od 50% do 10 godina
Grijači element i thermostat.....	2 godine
Ostali dijelovi	2 godine

*Uvjeti i ograničenja

Ovo Ograničeno jamstvo važi za jamstveno razdoblje kako je navedeno u prethodnoj tablici, za bilo koji proizvod kupljen preko ovlaštenog NAPOLEON zastupnika, i prema sljedećim uvjetima i ograničenjima: daje prvom kupcu pravo na određenu maržu u odnosu na bilo koju komponentu zamijenjenu unutar jamstvenog roka od Napoleona ili ovlaštenog NAPOLEON trgovca zamijena komponente takvog proizvoda koji je uslijed uobičajenog korištenja neodgovarajuća. „50% popusta“ je navedeno u tablici znači da je komponenta je dostupna kupcu s 50 posto popusta od normalne maloprodajne cijene komponente za određeno razdoblje. Ovo ograničeno jamstvo ne pokriva dodatke ili bonus predmete.

Za povećanu sigurnost „, uobičajeno privatno korištenje,“ proizvoda znači da proizvod: instalirani od strane ovlaštenog servisa ili tehnika u skladu s uputama za postavljanje koje prate proizvod sa svim lokalnim i nacionalnim stambenim posjedima i protupožarnih propisa; da se proizvod pravilno održava i nije bio korišten u komercijalne svrhe.

Slične „pogreške zbog nepravilnog korištenja“ ne uključuje: požare, paljenja uzrokovano uvjetima okoliša, kao što su jaki vjetrovi, ili nedovoljne ventilacije, ogrebotina, upad, korozije, gubitak boje kod dijelova obojenih i presvučenih oblogom, diskoloracije prouzročene toplinom, abrazivna i kemijska sredstva za čišćenje ili izloženost UV zrakama, pucanje porculana emajliranih dijelova ili oštećenja uzrokovanih zlouporabom, nesreće, tuče, požara nastalog zbog nakupljanja ulja, neodržavanja, nepovoljnim okruženjima poput soli ili klora, izmjenama, zlostavljanja, zanemarivanja ili dijelova izgrađenih od drugih

proizvođača. U slučaju pogoršanja dijelova podignutom na razinu neučinkovitosti (korozije kvara ili spaljivanje) za vrijeme trajanja prihvatljivog jamstva će se riješiti zamjenski dio.

Zamjenska komponenta isključiva je odgovornost NAPOLEON- a definiranog ovim Ograničenim jamstvom; Ni u kojem slučaju NAPOLEON neće biti odgovoran za instalaciju ili druge troškove ili troškove vezane uz ponovnu ugradnju jamstvenog dijela, za bilo kakvu slučajnu, posljedičnu ili neizravnu štetu ili bilo kakve troškove prijevoza, troškove rada ili carine.

Ovo ograničeno jamstvo je osigurano uz sva prava koja vam pružaju lokalni zakoni. Sukladno tome, ovo Ograničeno jamstvo ne obvezuje NAPOLEON da drži dijelove na zalih. Na temelju raspoloživosti dijelova, NAPOLEON može po vlastitom nahođenju izvršiti sve obveze pružajući korisnicima procijenjeni odobrenje prema novom proizvodu. Nakon prve godine, s obzirom na ovo ograničeno jamstvo, NAPOLEON može, prema vlastitom nahođenju, u cijelosti ispuniti sve obveze u vezi s ovim jamstvom vraćanjem originalnom jamstvenom kupcu veleprodajnu cijenu bilo kojeg jamstvenog ali neispravnog dijela.

Uvažavanje garancije NAPOLEON moguće je uz predočenje računa ili kopije zajedno sa brojem modela i serijskim brojem uređaja.

NAPOLEON zadržava pravo pregleda proizvoda i dijelova prije uvažavanja garancije. Morate se obratiti službi za korisnike NAPOLEON ili ovlaštenom NAPOLEON zastupniku za dobivanje koristi od pokriva jamstva.



www.napoleon.com



UPOZORENJE! Prije uporabe pročitajte sve upute.

Upute za sigurno rukovanje

- Koristite ovaj roštilj samo kao što je opisano u ovom priručniku. Svaka druga upotreba koja nije preporučljiva u ovom priručniku može prouzročiti požar, strujni udar ili ozljede osoba.
- Ovaj roštilj je namijenjen samo za vanjsku upotrebu. Nemojte ga koristiti u zatvorenom prostoru ili za komercijalno kuhanje.
- Ni na koji način ne mijenjajte ovaj proizvoda ili njegovu upotrebu.
- Na ovom roštilju nemojte koristiti ugljen ili druga goriva. Roštilj nije namijenjen uporabi drvenog ugljena i može prouzročiti požar. Vatra može stvoriti nesigurno stanje i oštetiti roštilj.
- Nemojte stavljati ovaj model roštilja u bilo koju ugrađenu ili kliznu konstrukciju. Zanemarivanje ovog upozorenja može prouzročiti požar ili eksploziju koja može oštetiti imovinu, uzrokovati ozbiljne tjelesne ozljede ili smrt.

Zaštitni koraci u korištenju električne energije:

- Ovaj aparat odgovara tehničkim standardima i sigurnosnim zahtjevima za električne uređaje.
- Uvijek pazite da se koristi električna utičnica s ispravnim naponom na ulaznoj snazi uređaja. Izlazi također moraju biti prikladni za opremu s potrošnjom od 2200 W.
- Provjerite da u isti električni krug nije priključen uređaj velike snage u isto vrijeme korištenja roštilja.
- Uređaj treba spojiti na utičnicu s kontaktom za uzemljenje.
- Opskrba električnom energijom mora biti osigurana preko uređaja struje (RCD) s nazivnom rezidualnom radnom strujom koja ne prelazi 30 mA.
- Nemojte koristiti roštilj ako utikač oštećen.
- Kabel za napajanje treba redovito pregledavati za znakove oštećenja, a uređaj se ne smije koristiti ako je kabel oštećen.
- Nemojte rukovati roštiljem s regulatorom temperature koji ima oštećeni kabel ili utikač. Ako je kabel za napajanje oštećen, mora ga zamijeniti posebnom sklopom dostupnom od Napoleona ili ovlaštenog servisera Napoleon.
- Ako koristite produžni kabel, on mora biti dizajniran za vanjsku uporabu i ocijenjen je za ulaznu snagu koju zahtijeva aparat.
- Nemojte spajati dva ili više produžnih kabela.

Sigurna upotreba:

- Uvijek uključite regulator temperature u roštilj prije spajanja kabela za napajanje u utičnicu. Kad uklanjate temperaturni regulator s roštilja najprije ga odspojite iz utičnice.
- U slučaju da povlačite regulator uz pomoć gumba moguće je da se gumb skine. Skinite temperaturni regulator tako da ga pridržite sa strane.
- Ako se pojavi povratak vatre nemojte koristiti vodu za gašenje vatre. Ugasite roštilj (stavite ga na OFF). Odspojite mrežni kabel i pričekajte da se roštilj ohladi.
- Pohranite utikač i kabel na suhom kad je roštilj u upotrebi. Nemojte koristiti električni roštilj na kiši.
- Roštilj koristite samo na ravnoj i stabilnoj površini.
- Ne dopustite kabele da dodirne roštilj kada je vruć.
- Posudica za masnoću mora biti na mjestu uvijek kad je roštilj u upotrebi.
- Nemojte pomicati roštilj dok je u upotrebi.
- Nemojte ostavljati roštilj bez nadzora kad god ga koristite.
- Držite malu djecu, starije osobe i kućne ljubimce dalje dok je roštilj u upotrebi. Djeca se ne smiju igrati s aparatom.
- Uređaj može koristiti djeca u dobi od 8 i više godina i osobe s smanjenim tjelesnim, senzornim ili mentalnim sposobnostima ili nedostatkom iskustva i znanja ako su na siguran način dobili nadzor ili upute o uporabi uređaja i razumiju uključeno opasnost.
- Ako djeca čiste i održavaju roštilj moraju imati nadzor.
- Nemojte koristiti roštilj u blizini zapaljivih materijala kao što su drvo, suha trava, grmlje itd.
- Nemojte dopustiti da roštilj dođe u dodir s zapaljivim materijalima kao što su papir, zidovi, ručnici, kemikalije itd.
- Ne koristite roštilja na prometnim područjima. Stavite mrežni kabel dalje od prometnih područja.
- Da biste zaštitili roštilj, nemojte koristiti roštilj u roku od 3 m / 10 stopa od bazena, jezerca ili drugog tijela vode.
- Nemojte koristiti roštilj kao grijač.
- Pustite da se aparat ohladi prije pomicanja i pohranjivanja.

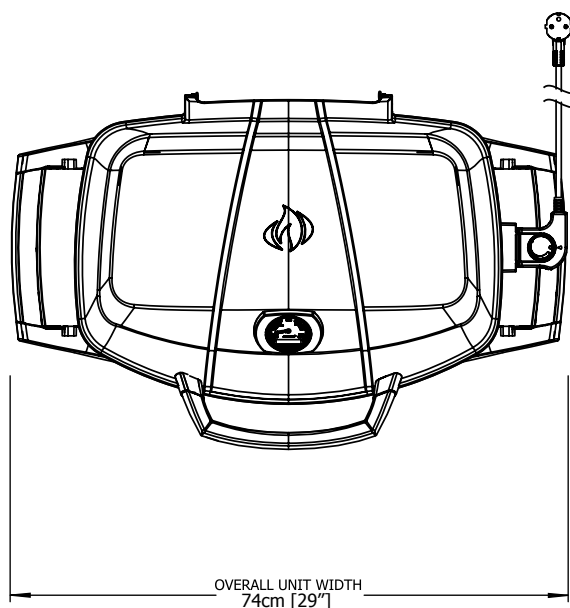
Čišćenje:

- Redovito čistite pladanj za masnoće.
- Ne uranjajte električne dijelove u vodu prilikom čišćenja.
- Kako biste zaštitili od električnog udara, nemojte uranjati utikač, kabel ili regulator temperature u vodi ili bilo kojoj tekućini.

Pohranjivanje:

- Odspojite roštilj kada nije u uporabi i držite utikač i kabel na suhom.
- Nemojte ostavljati regulator temperature u položaju ON kad roštilj duže vremena nije u upotrebi.
- Uvijek stavite regulator temperature u zatvorenom prostoru kada nije u uporabi.
- Tijekom dužega vremena ne upotrebe, uklonite regulator temperature iz roštilja.

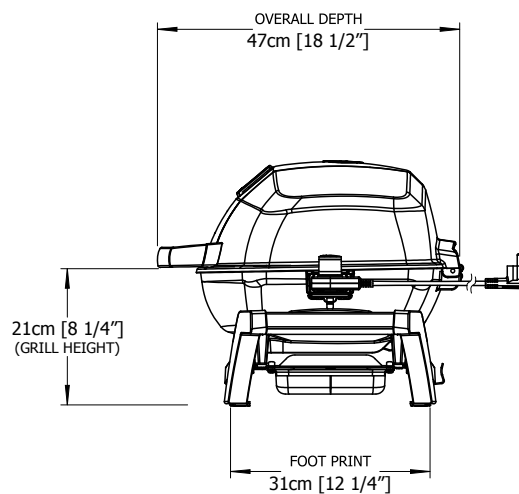
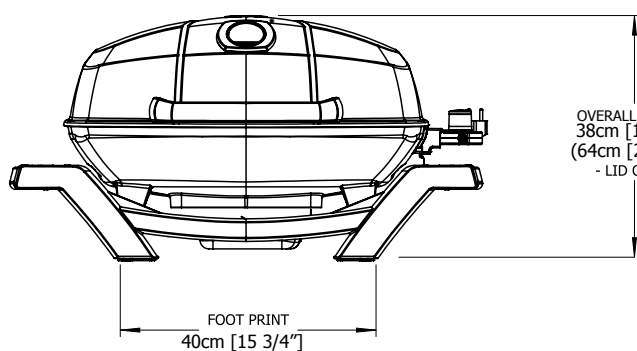
DIMENZIJE



PRO285E - GRILL

GRILL SIZE: 37cm X 54cm (IRREGULAR) = 1840 cm² (14 1/2" X 21 1/4" (IRREGULAR) = 285 in²)

ALL DIMENSIONS ARE APPROXIMATE



HR



POZOR! Preporučujemo upotrebu radnih rukavica i zaštitnih naočala tijekom raspakiranja i sastavljanja roštilja. Unatoč jednostavnom i sigurnom procesu sastavljanja roštilja, tvornički proizvedeni čelični dijelovi mogu biti oštri i prouzročiti ozljede ako se njima pravilno ne rukuje.

Ispravno odlaganje ovog proizvoda:

Ova oznaka označava da se ovaj proizvod ne smije odlagati s ostalim kućanskim otpadom u cijeloj Europskoj uniji. Da bi se spriječila moguće štete za okoliš ili ljudsko zdravlje od nekontroliranog odlaganja otpada, odgovorno ga reciklirajte kako bi promovirali ponovnu upotrebu materijalnih resursa. Ako želite vratiti uređaj, molimo vas da koristite sustav za povrat i prikupljanje ili se obratite prodavaču gdje je proizvod kupljen. Oni mogu popratiti ovaj proizvod do sigurne reciklacije.

Upute za kuhanje



UPOZORENJE! Nemojte upotrebljavati ovog roštilja ispod izvučnih tenda. Ako ne sljedite upute, može doći do požara i ozljede.



OPASNOST! Nemojte transportirati roštilj odmah nakon upotrebe. Pustite ga da se ohladi prije no što ga pohranite. Ako ne sljedite upute, može doći do štete na nekretninama, ozljede ili smrt.

Kad prvi put zapalite, roštilj će ispuštati lagani miris. To je normalno privremeno stanje uzrokovano paljenjem unutarnjih boja i maziva koje se koriste u proizvodnom procesu i neće se ponoviti. Jednostavno pokrenite termostat na visokoj strani dok je poklopac otvoren otprilike ½ sata. Kod kuhanja vrlo tankih mesa, kao što su pileće prsa ili mršavih svinjetina, rešetke se mogu uljiti prije zagrijavanja kako bi se smanjilo zabrtvljenije. Pečenje mesa s visokim udjelom masti može stvoriti povratnu vatru. Smanjite masnoće ili smanjite temperature kako biste to spriječili.

Tabela za peku na električnom roštilju

Prije pečenja zagrijat roštilj s zatvorenim poklopcem oko 15-20 minuta, zatim pecite na željenoj temperaturi. Ovo su upute za roštiljanje vani kod temperature od 22 °C.

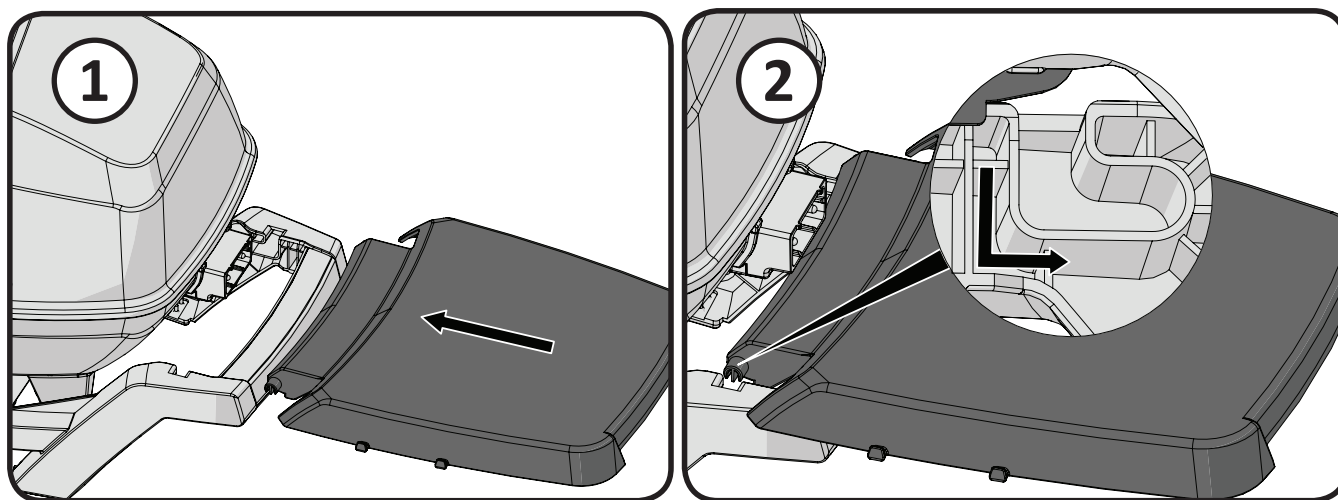
Pokušajte Napoleonov dodatni pribor za peku na dimu sa okusom američkog hrasta ili mesquita.

Hrana	Postavke	Vrijeme pečenja	Korisni savjeti
Odrezak 2.54cm debljina	Visoka jakost, 2 min.-na svakoj stranici	4 min. – milo	Odaberite meso sa više masnoće. Masnoća će meso omekšati tijekom pečenja i mesu će biti vlažan i sočan.
	Visoka jakost, 2 min.-na svakoj stranici onda srednja jakost	6 min. – srednje	
	Visoka jakost, 2 min.-na svakoj stranici onda srednja jakost	8 min. – jako	
Pljeskavica 1.27cm debljina	Visoka jakost, 2 min.-na svakoj stranici	4 min. – milo	Prilagodite debljinu pljeskavice za pripremu hamburgera prema svim okusima.
	Visoka jakost, 2,5 min.-na svakoj stranici	5 min. – srednje	
	Visoka jakost, 3 min.-na svakoj stranici	6 min. – jako	
Komadići piletine	Visoka jakost, 2 min.-na svakoj stranici onda srednja do niža jakost	20-25 min	Prореžite ¾ zgloba između bataka i zabataka i postavite meso na roštilj kako bi se brže i ravnomjernije ispeklo.
Svinjski odrezak	srednje	6 min. na svakoj stranici	Uklonite višak masnoće prije pečenja. Odaberite deblje odreske.
Svinjska rebarca – spare ribs	Visoka jakost za 5 minuta niža za završetak	20 min. na svakoj stranici često okretati	Odaberite meso s manje masnoće. Pecite dok se meso ne počne s lakoćom odvajati od kosti.
Janjetina	Visoka jakost za 5 minuta srednje za završetak	15 min. na svakoj stranici	Uklonite višak masnoće prije pečenja. Odaberite deblje odreske.
Hrenovke	Srednje - nisko	4-6 min	Odaberite veće hrenovke i prerežite ih po duljini.

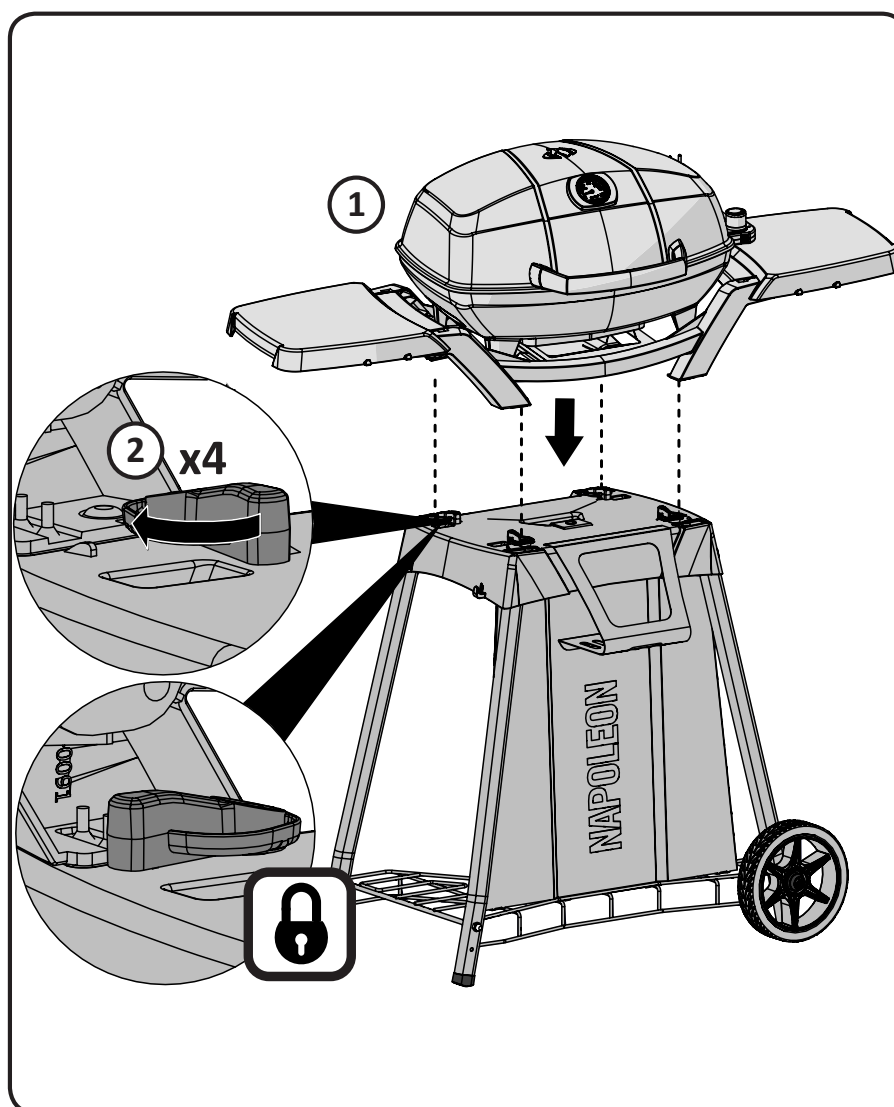
Problemi u funkcioniranju

Problem	Mogući uzroci	Rješenja
Nema vrućine	<p>Termostat nije upaljen.</p> <p>Nema električne moći.</p> <p>Napaka v termostatu ali žar ploči.</p>	<p>Termostat nastavite na maksimalnu temperaturu.</p> <p>Termostat mora biti ugrađen na ploči za roštilj i pravilno priključen u utičnicu. Pokušajte uključiti uređaj na drugu utičnicu.</p> <p>Provjerite ima li curenja u instalaciji. Reset.</p> <p>Nastavite termostat na maksimalnu temperaturu.</p> <p>Prije peke zagrijavajte roštilj sa zatvorenim poklopcem oko 15-20 minuta.</p> <p>Promijenite termostat ili roštilj ploču.</p>
Prenizka vrućine	<p>Neispravno zagrijavanje</p> <p>Prekomjerno izgaranje u sredini roštilja.</p>	<p>15-20 minut zagrijavajte roštilj. Povećajte temperaturu.</p> <p>Očistite unutrašnjost roštilja.</p>
Neravnomjeran plamen i pretjerana povratna vatra	<p>Prekomjerna masnoća u mesu.</p> <p>Prekomjerna temperatura pečenja.</p> <p>Kopičenje masnoće.</p>	<p>Uklonite prekomerno masnuću prije roštiljanja.</p> <p>Prilagodite temperaturu pečenja ako je to potrebno.</p> <p>Očistite roštilj.</p>
Prijeskoki u kontaktu i ispadi sigurnostnog osigurača	<p>Prekinitve napetosti moći.</p> <p>Istodobno spajanje drugog uređaja na istu napojnu mrežu</p> <p>Mokročić ili voda u termostatu ili električnom napojju.</p>	<p>Okrenite kontrolni gumb na ISKLJUČENO prije spajanja električnog kabla.</p> <p>Nemojte spajati drugog električnog uređaja na istu napojnu mrežu.</p> <p>Termostat i druge električne komponente moraju ostati suhe.</p>

OPCIJA POLICE



OPCIJA STALAK



HR



Upute za čišćenje

UPOZORENJE! Kad servisirate roštilj uvijek nosite zaštitne rukavice i sigurnosne naočale.

UPOZORENJE! Da bi se izbjegla mogućnost opekline, održavanje treba obaviti samo kada je roštilj hladan. Izbjegavajte nezaštićeni dodir s vrućim površinama. Osigurajte da je roštilj isključen. Čistite roštilj na mjestu gdje čišćenje neće štetiti stolovima, travnjacima ili terasama. Nemojte koristiti čistač pećnice za čišćenje bilo kojeg dijela ovog roštilja. Nemojte koristiti pećnicu za samočišćenje kako biste očistili rešetke ili bilo koji drugi dio roštilja. Umak od roštilja i sol mogu biti korozivni i uzrokovat će brzo pogoršanje dijelova roštilja, osim ako se redovito čiste.

Rešetke od lijevanog željeza: Rešetke od lijevanog željeza pružaju vrhunsko zadržavanje topline i distribuciju. Redovitim podmazivanjem rešetkama dodajete zaštitnu prevlaku koja će vam pomoći pri odstranjivanju korozije i povećanju sposobnosti protiv lijepljenja.

Prva upotreba: Oprati rešetke od lijevanog željeza ručno s blagim sapunom i vodom za uklanjanje ostataka iz proizvodnog procesa (nikada ne operite u perilici posuđa). Temeljito isperite vrućom vodom i potpuno osušite mekom krpom. To je važno kako bi se izbjegla vlaga iz ulaska u lijevano željezo. Kad prvi put upaliti roštilj će ispuštati lagani miris.

Začin: Koristite meku krpu, širite ulje na cijeloj površini rešetke osiguravajući da su sve utore i uglovi pokriveni. Nemojte koristiti slane masti poput maslaca ili margarina. Prethodno zagrijte roštilj 15 minuta, a zatim stavite rešetke na roštilj. Okrenite gumb za upravljanje plamenikom na sredinu dok je poklopac zatvoren. Dopustite da se rešetke zagrijavaju otprilike pola sata. Okrenite regulator na ISKLJUČENO i pustite dok se rešetke ne ohlade. Ovaj postupak treba ponavljati nekoliko puta tijekom sezone, iako to nije potrebno za svakodnevnu upotrebu (slijedite dolje navedenu metodu dnevnog korištenja).

Dnevna upotreba: Prije pregrijavanja i čišćenja četkom s mjedenim žičanom mrežicom, prekriti cijelu gornju površinu rešetaka s uljem. Prethodno zagrijte roštilj i zatim uklonite sve neželjene ostatke četkom od mesinga.

Čišćenje unutrašnjosti roštilja: Uklonite rešetke. Upotrijebite meku četkicu od mesinga kako biste očistili otpatke od unutrašnjosti poklopca. Četkajte sve krhotine s unutarnje strane roštilja u uklonjivu posudu za masnoće. Uklonite temeljnu košuljicu (hvatač masti za zdjelu). Nemojte koristiti abrazivne sredstvo za čišćenje kako biste očistili bazu od porculana. Da biste uklonili tvrdokorne mrlje, upijte u vodu za sapunicu kako biste popustili prljavštinu. Očistite s neabrazivnim sredstvom za čišćenje i čistom suhom čistom krpom. Provjerite je li ploča za roštilj ispravno postavljena prilikom ponovnog postavljanja.

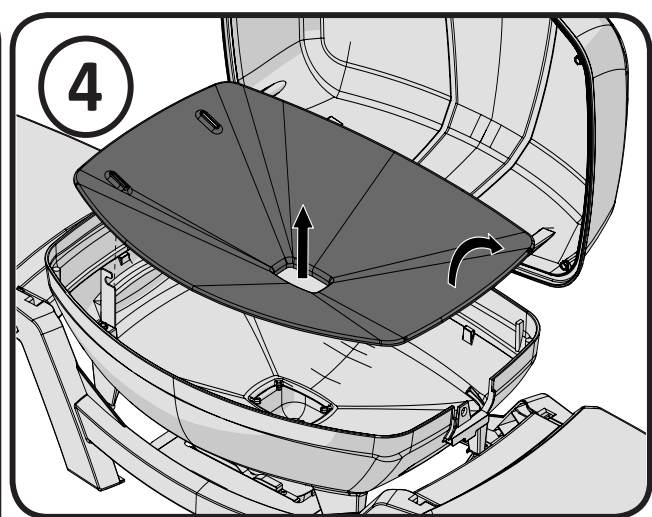
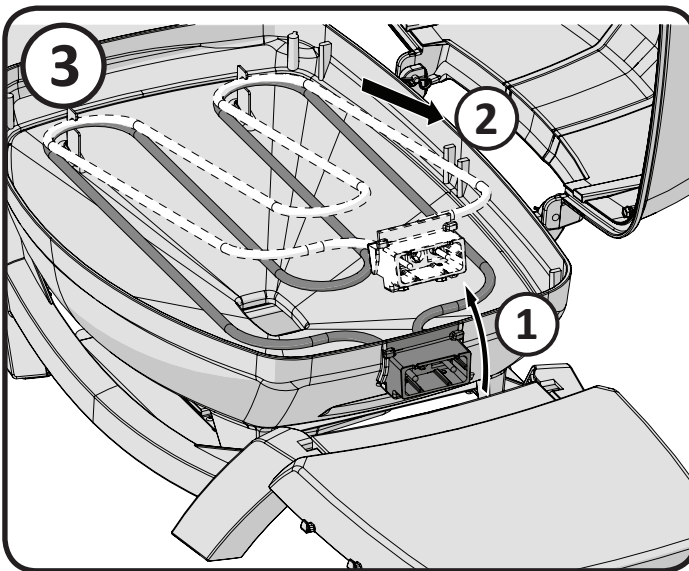
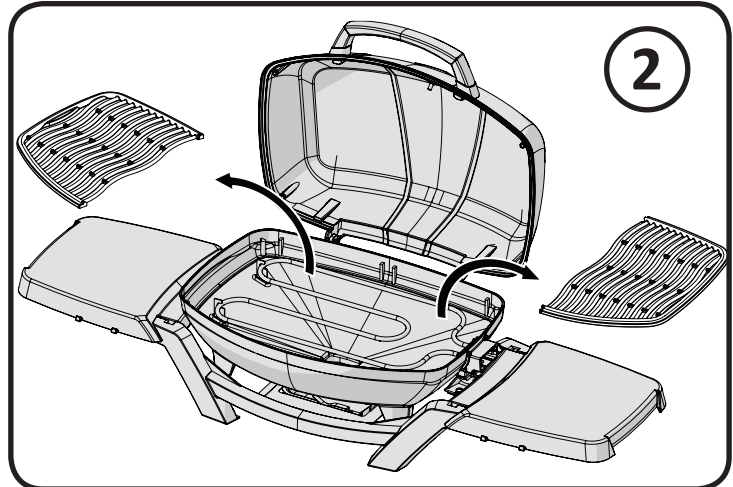
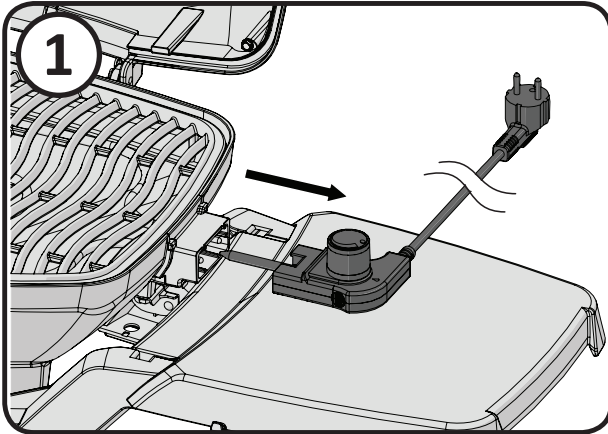
Pladanj za masnoće: Izvucite posudu za masnoće kako biste ga lakše čistili. Da bi izbjegli nakupljanje masti, trebali bih očistiti roštilj svakih 4-5 puta upotrebe. Masti i višak vode skupljaju se u posudi za kapanje koja se nalazi ispod roštilja. Skupljene masnoće može uzrokovati opasnost požara. Nemojte usmjeravati posudu za kapanje aluminijskom folijom jer može spriječiti pravilnu količinu zraka potrebnu za rad plamenika. Posudu treba strugati s nožem ili strugalicom.

Čišćenje vanjskog dijela roštilja: Nemojte koristiti abrazivne čistače za čišćenje obojenih dijelova. Da biste zaštitili emajl, upotrijebite blagi deterdžent s mekom krpom ili četkom kako biste obrisali i uklonili ostatak kiseline. Obrišite suhom čistom krpom.

Upute za čišćenje

Rastavljanje:

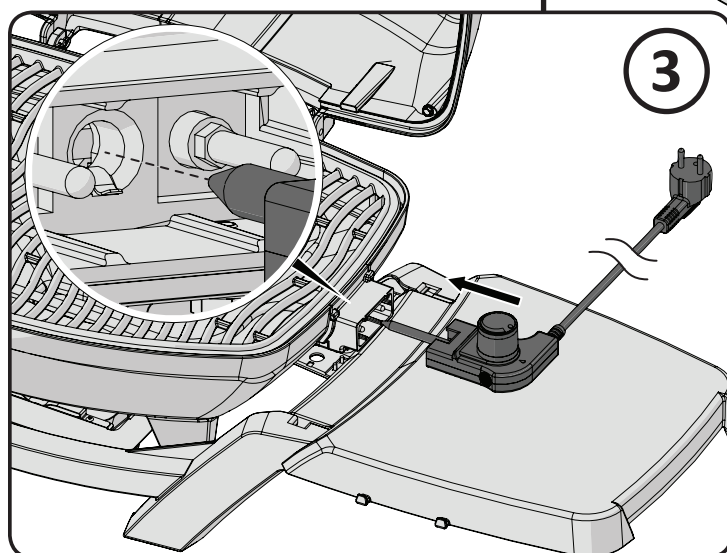
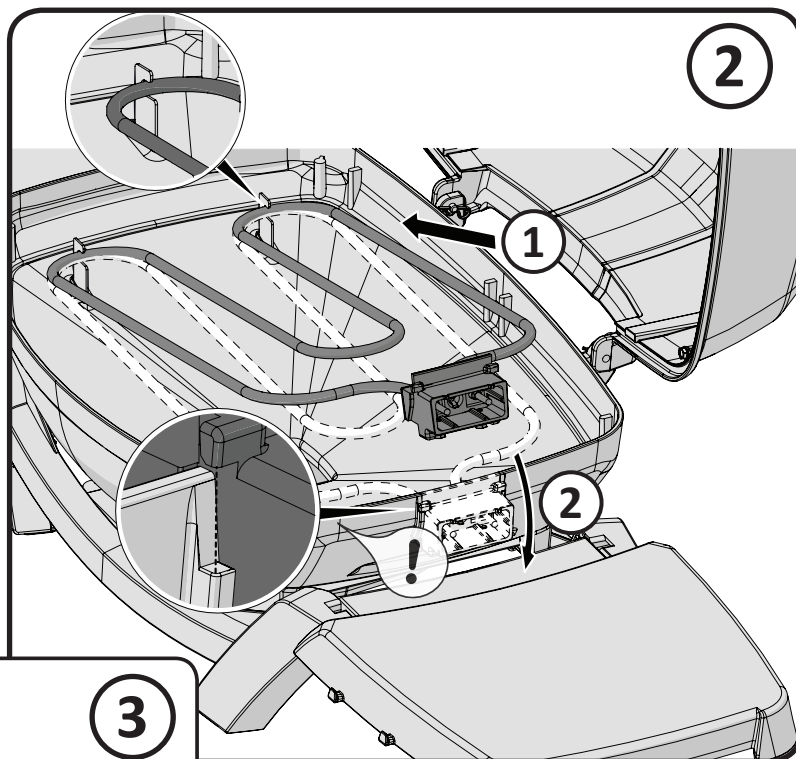
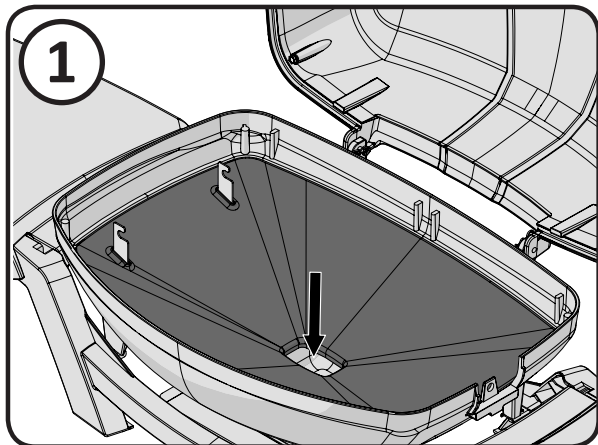
1. Od spojite kabel i uklonite termostat.
2. Uklonite rešetke
3. Pritisnite opružni klin i podignite grijaće elemente iz roštilja
4. Uklonite temeljni košuljicu.



HR

Ponovno sastavljanje:

1. Ponovno umetnite osnovnu košuljicu.
2. Namjestite zakrivljene dijelove grijaćeg elementa natrag u svoje potpornje. Spojite element za grijanje na mjesto.
3. Ponovno postavite termostatski i rešetke za kuhanje.



SPREMITE SVOJ RAČUN KAO DOKAZ O KUPNJI ZA JAMSTVENI SERVIS.

Naručivanje rezervnih dijelova

INFORMACIJE O JAMSTVU

MODEL: _____

DATUM KUPNJE: _____

SERIJSKI BROJ: _____

(Evidencija o informacijama za lakše pretraživanje)

Za zamjenu dijelova i uvažavanje jamstva, kontaktirajte prodavača Napoleon produkta , gdje je bila obavljena kupnja.

Prije nego pozovete servis, provjerite Napoleon Web stranica za detaljnije čišćenje, održavanje, otklanjanje poteškoća i upute za zamjenu rezervnih dijelova u www.napoleon.com.

Za obrada zahtjeva treba priložiti sljedeće podatke:

1. Model i serijski broj jedinice
2. Broj rezervnog dijela in opis.
3. Detaljan opis problema('razbijen nije dovoljno').
4. Dokaz o kupnji (fotokopija računa).

U nekim slučajevima, Napoleon zahtijeva da se dijelovi vratie u tvornicu na pregled. Prije potrebno osigurati rezervne dijelove.

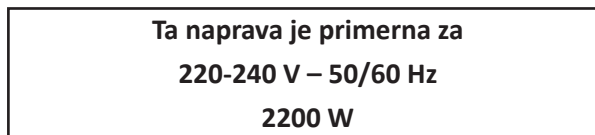
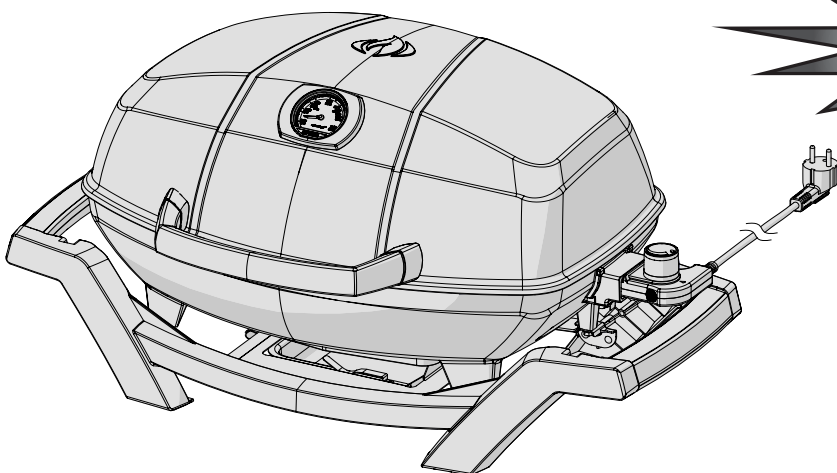
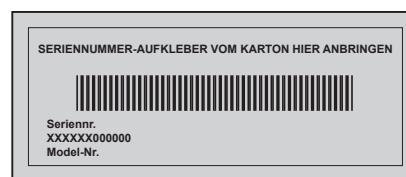
Prije nego što se obratite na prodavača Napoelon proizvoda treba znati, da sljedeće stavke nisu pokrivena jamstvom.

- Troškovi transporta, posredovanje ili izvozne carine.
- Troškovi rada za uklanjanje i ponovnu montažu.
- Troškovi usluga za dijagnosticiranje problema.
- Promjena boje dijelova od nehrđajućeg čelika.
- Šteta na djelovima zbog nedostatka čišćenja i održavanja ili upotrebe nepravilnih detergenta (detergenti za pećnice) čišćenje.



HR





OPOZORILO! Neupoštevanje navodil v tem priročniku lahko vodi do požara, eksplozije ali opeklin, ki lahko povzroči materialno škodo, telesne poškodbe ali smrt. Preberite in sledite vsem opozorilom in navodilom v tem priročniku pred uporabo žara.



OPOZORILO!

- Samo za zunanjo uporabo.
- Med uporabo delujoče naprave, upoštevajte osnovne varnostne ukrepe, vključno s sledečimi. Sledite ukrepom za zmanjšanje možnosti povzročitve požara, električnega šoka, telesne poškodbe ali materialne škode.
- Obdržite priročnik za nadaljnjo uporabo.

SI



N415-0478E MAR 14.19

Wolf Steel Europe BV
 Poppenbouwing 29-31, 4191 NZ Geldermalsen,
 CCI No. 51509970, THE NETHERLANDS
info@napoleongrills.nl

www.napoleon.com

Napoleon President's 10 letna omejena garancija



Izdelki NAPOLEON so zasnovani z vrhunskimi komponentami in materiali katere sestavljajo usposobljeni mojstri, ki se zelo ponosni na svoje delo. Pred pakiranjem in pošiljanjem je bil ta izdelek temeljito pregledan s kvalificiranim tehnikom, da bi zagotovili, da kupec dobi kakovosten izdelek, ki ga pričakujete od podjetja NAPOLEON.

NAPOLEON jamči, da sestavni deli v vašem novem NAPOLEON izdelku ne bodo imeli napak v materialu in izdelavi od datuma nakupa, v naslednjih obdobjih:

Aluminijasti deli / osnova iz nerjavečega jekla	10let
Porcelansko emajlirane maščobni ščit	5 let polno jamstvo, plus 50% popusta do preteka 10let
Porcelansko emajlirane kuhalne rešetke iz litega železa.....	5 let polno jamstvo, plus 50% popusta do preteka 10let
Grelni element in termostat.....	2 leti
Vsi ostali deli	2 leti

*Pogoji in omejitve

Ta Napoleonova omejena garancija jamči, kot je določeno v prej omenjeni tabeli, za vse izdelke, kupljene prek pooblaščenega prodajalca NAPOLEON, in ob upoštevanju naslednjih pogojev in omejitev: daje prvotnemu kupcu pravico do določenega kritja v zvezi s katero koli komponento, zamenjano v garancijskem roku, bodisi s strani NAPOLEONA ali pooblaščenega NAPOLEON prodajalca, da nadomestijo komponento takega izdelka, ki je zaradi običajne zasebne uporabe neuspešna. "50% popusta", navedenega v tabeli, pomeni, da je komponenta na voljo kupcu z 50-odstotnim popustom od običajne maloprodajne cene komponente za navedeno obdobje. Ta omejena garancija ne zajema dodatkov ali bonusnih izdelkov.

Za večjo varnost "običajna zasebna raba" izdelka pomeni, da je izdelek: nameščen s strani pooblaščenega servisa oz. tehnika v skladu z navodili za vgradnjo, ki so priložena izdelku z vsemi lokalnimi in nacionalnimi stanovanjskimi ter požarnimi predpisi; da je izdelek ustrezno vzdrževan in ni bil uporabljen v komercialne namene.

Podobne "napake zaradi nepravilne uprabe" ne vključujejo: prekomerno žganje, vžigi, ki jih povzročajo okoljski pogoji, kot so močni vetrovi ali neustrezno prezračevanje, praske, vdori, korozija, poslabšanje barvanih in prevlečenih oblog, razbarvanje zaradi toplote, abrazivnih ali kemičnih čistil ali UV-izpostavljenost, pokanje porcelanastih emajliranih delov ali poškodbe, ki so posledica zlorabe, nesreče, toče, maščobnih požarov, pomanjkanje vzdrževanja, sovražnih okolij, kot so sol ali klor, spremembe, zloraba, zanemarjanje ali delov vgrajenih od drugih proizvajalcev. V primeru poslabšanja

delov pojavilo do stopnje neučinkovitosti (prerjavanje ali izgorevanje) v času trajanja upravičene garancije, bo zagotovljen nadomestni del.

Za nadomestno komponento je izključno odgovornost NAPOLEON-a, ki jo določa ta omejena garancija; V nobenem primeru NAPOLEON ne bo odgovoren za stroške namestitve ali druge stroške ali izdatke, ki so nastali v zvezi z vnovično namestitvijo garantiranega dela za kakršno koli naključno, posledično ali posredno škodo ali za kakršno koli prevozne stroške, stroške dela ali izvozne dajatve.

Ta omejena garancija je zagotovljena poleg pravic, ki vam jih ponujajo lokalni zakoni. V skladu s tem ta omejena garancija podjetju NAPOLEON ne nalaga, da drži dele na zalogi. Na podlagi razpoložljivosti delov lahko NAPOLEON po lastni presoji izpolni vse obveznosti, tako da kupcu zagotovi ugodno posojilo za nov izdelek. Po prvem letu lahko v zvezi s to omejeno garancijo NAPOLEON po lastni presoji v celoti izpolnjuje vse obveznosti v zvezi s to garancijo tako, da prvotnemu upravičenemu kupcu povrne veleprodajno ceno vseh upravičenih, a okvarjenih delov.

V primeru zahteve za uveljavitev garancije podjetja NAPOLEON bo potrebno priložiti račun ali kopijo računa skupaj s serijsko številko in številko modela, ko bo od NAPOLEON prodajalca zahtevala kakršno koli garancijske zahteve NAPOLEON si pridržuje pravico do pregleda izdelka preden izpolni garancijske zahteve. Za pridobitev koristi od kritja garancije se obrnite na servisno službo NAPOLEON ali na pooblaščenega prodajalca NAPOLEON.



www.napoleon.com

www.napoleon.com

N415-0478E MAR 14.19



OPOZORILO! Pred uporabo preberite vsa navodila.

Načini varne uporabe

- Uporablajte žar samo tako, kot je opisano v priročniku. Vse druge oblike uporabe, ki niso priporočene s strani tega priročnika lahko povzročijo požar, električni šok ali poškodujejo vas ali ljudi okoli vas.
- Žar je namenjen samo za domačo zunanjo uporabo. Ne uporabljajte žara v zaprtih prostorih in za komercialne namene.
- Ne spreminjajte tega izdelka in načina njegove uporabe.
- Ne uporabljajte oglja ali katerega koli drugega vnetljivega goriva na tem žaru. Žar ni primeren za uporabo oglja, pride lahko do požara. Požar lahko ustvari nevarne okoliščine in poškoduje žar.
- Tega modela žara ne vgrajujte v nobeno obliko vgradnih ali drsnih konstrukcij. Neupoštevanje tega opozorila lahko povzroči požar ali eksplozijo, ki lahko poškoduje lastnino, povzroči hujše telesne poškodbe ali smrt.

Zaščitni ukrepi pri uporabi elektrike:

- Naprava ustreza vsem tehničnim standardom in varnostnim zahtevam za električne naprave.
- Vedno zagotovite, da ima vir električne energije v uporabi pravilno električno napetost primerno za vstopno moč naprave. Električni vir mora biti primeren za naprave, ki porabijo 2200W.
- Prepričajte se, da med uporabo žara v isti električni krog ni priključena nobena druga naprava z visoko porabo električne energije.
- Naprava mora biti priključena v vir električne energije z ozemljitvijo.
- Električna energija mora biti priskrbljena skozi zaščitno napravo za izklop (RCD) s preostalo nazivno obratovalno napetostjo, ki ne presega 30 mA.
- Naprave ne uporabljajte, če je vtičnica poškodovana.
- Napajalni kabel mora biti redno pregledan in vzdrževan. Naprava se ne sme uporabljati v primeru, da je napajalni kabel poškodovan.
- Žara ne uporabljajte z termometrom, ki ima poškodovan kabel ali vtič. Če je napajalni kabel poškodovan ga je potrebno zamenjati z rezervnimi deli, ki so na voljo pri Napoleonu ali pooblaščenem prodajalcu znamke Napoleon.
- Pri uporabi električnega podaljška, mora biti le ta primeren za zunanjo uporabo in primeren za vstopno moč naprave.
- Ne povezujte dveh ali več električnih podaljškov skupaj.

Varna uporaba:

- V primeru uporabe termometra je potrebno termometer vključiti v žar preden vključimo napajalni kabel v vtičnico. Ko termometer odstranjujemo iz žara je potrebno žar najprej izklopiti iz vtičnice.
- Vlečenje termometra za gumb lahko povzroči, da bo gumb odpadel. Odstranite termometer tako, da ga zgrabite s strani.
- V primeru, da se pojavi povratni ogenj za gašenje ne uporabljajte vode. Žar nastavite na OFF. Izklopite napajalni kabel in počakajte, da se žar ohladi.
- Priključek in napajalni kabel ohranjajte na suhem. Električnega žara ne uporabljajte v dežju.
- Žar uporabljajte le na ravni in stabilni površini.
- Napajalni kabel se ne sme dotikati žara med tem, ko je ta vroč.
- Posodica za zbiranje maščob mora biti na mestu med uporabo žara.
- Žara ne premikajte med uporabo.
- Med uporabo žara ne puščajte nenadzorovanega.
- Med uporabo žara zadržite otroke, starejše in živali na varnem. Otroci se z napravo ne smejo igrati.
- Napravo lahko uporabljajo otroci starejši od 8 let in osebe z zmanjšanimi telesnimi, senzoričnimi in mentalnimi sposobnostmi ali osebe s pomanjkanjem izkušenj in znanja v kolikor napravo uporabljajo pod nadzorom in so poučeni od varni uporabi naprave in razumejo možne nevarnosti.
- Otroci morajo biti v primeru čiščenja in vzdrževanja žara pod nadzorom.
- Žara ne uporabljajte v bližini vnetljivih snovi kot so: les, suha trava, grmičevje ipd.
- Poskrbite, da žar ne pride v stik z gorljivimi materiali kot so papir, zidovi, zavese, brisače, kemikalije ipd.
- Žara ne uporabljajte v območju gostega prometa. Napajalni kabel speljite stran od prometnih območji.
- Da zaščitite žar ne uporabljajte žara znotraj radija 3m/10 čevljev od bazena, ribnika ali drugega telesa z vodo.
- Ne uporabljajte ga kot grelec.
- Pred premikanjem in pospravljanjem žara se naj le ta ohladi.

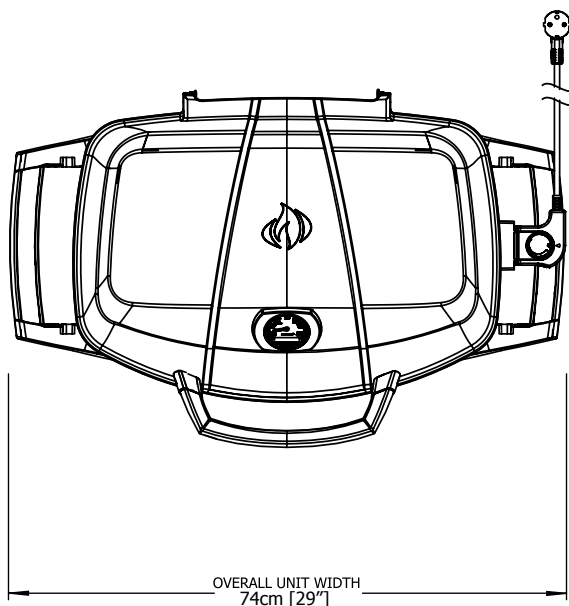
Čiščenje:

- Pladenj za zbiranje maščob redno čistite.
- Med čiščenjem žara, električnih komponent ne polivajte in ne namakajte v vodo.
- Za zaščito pred električnim šokom, vtiča, napajalnega kabla in termometra ne polivajte ali ne namakajte v vodo ali katerokoli drugo tekočino.

Shranjevanje:

- Ko žara ne uporabljate ga odklopite in poskrbite, da bosta napajalni kabel in vtič suha.
- Termometra ne puščajte prižganega med tem, ko žara ne uporabljate.
- Termometer vedno shranjujte v zaprtih prostorih.
- Ko žara ne uporabljate dlje časa, odstranite termometer.

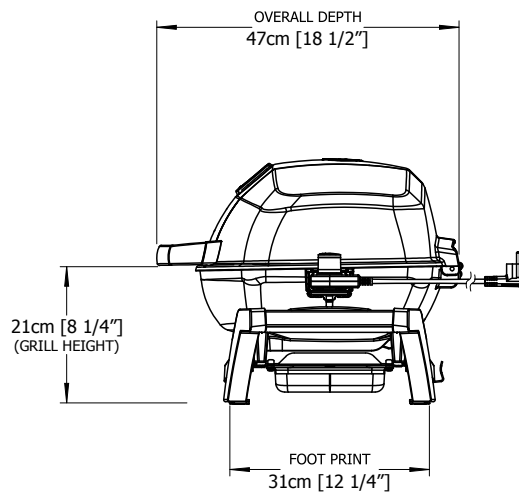
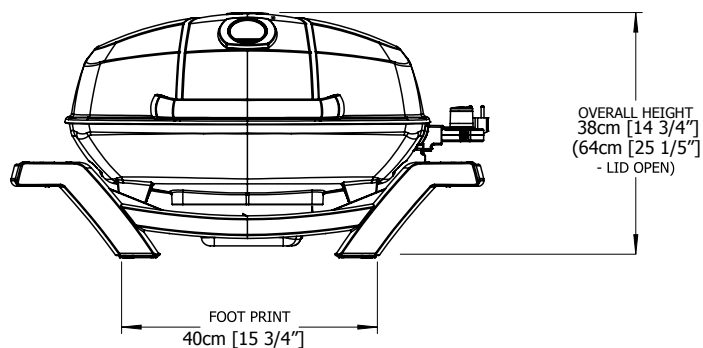
DIMENZIJE



PRO285E GRILL

GRILL SIZE: 37cm X 54cm (IRREGULAR) = 1840 cm² (14 1/2" X 21 1/4" (IRREGULAR) = 285 in²)

ALL DIMENSIONS ARE APPROXIMATE



SI



POZOR! Med razpakiranjem in montažo priporočamo nošenje delovnih rokavic in zaščitnih očal za zaščito. Čeprav se trudimo po svojih najboljših močeh, da bi bil proces sestavljanja brezhiben in varen, kot je mogoče, je značilnost proizvedenih jeklenih delov, da so lahko njihovi robovi in vogali ostri in lahko povzročijo ureznine ob nepravilnem ravnanju.

Pravilno odlaganje tega izdelka

Ta oznaka pomeni, da izdelka ne smete odvreči skupaj z drugimi gospodinjskimi odpadki po vsej EU. Da bi preprečili morebitno tveganje za okolje ali zdravje ljudi zaradi nenadzorovanega odlaganja odpadkov, ga odgovorno reciklirajte ter tako spodbudite trajnostno vnovično uporabo materialnih virov. Če se želite vrniti svoje rabljeno napravo, prosimo uporabite sistem vračanja in zbiranja, ali pa se obrnite na prodajalca, kjer ste proizvod kupili. Lahko vam omogočijo da se ta izdelek za okoljsko varno reciklira.

Navodila za kuhanje



OPOZORILO! Ne uporabljajte tega žara pod izvlečeno tendo. Neupoštevanje teh navodil lahko povzroči požar ali poškodbe.



NEVARNOST! Žara ne shranjujte ali pripravite za na pot takoj po uporabi. Žar je potrebno ohladiti na dotik pred premikanjem ali shranjevanjem. Neupoštevanje tega lahko privede do požara, kar lahko povzroči škodo na nepremičninah, telesne poškodbe ali smrt.

Ko boste žar prižgali prvič, lahko oddaja rahel vonj. To je normalno začasno stanje, ki ga povzroča gorenje barv in lubrikantov na notranjih delih, ki so bili uporabljeni med proizvodnjo in se ne bo več ponovil. Gorilnike nastavite na maksimalno temperaturo in pustite žar odprt za približno 30 minut. Pri peki pustega mesa, kot so piščančja prsa ali pusta svinjina rešetke premažite z jedilnim oljem, da preprečite prijemanje mesa na rešetke. Pri peki mesa z veliko maščob obstaja možnost povratnega ognja. V izogib povratnemu ognju odstranite nekaj maščobe ali zmanjšajte jakost gorilnikov.

Tabela pečenja na električnem žaru

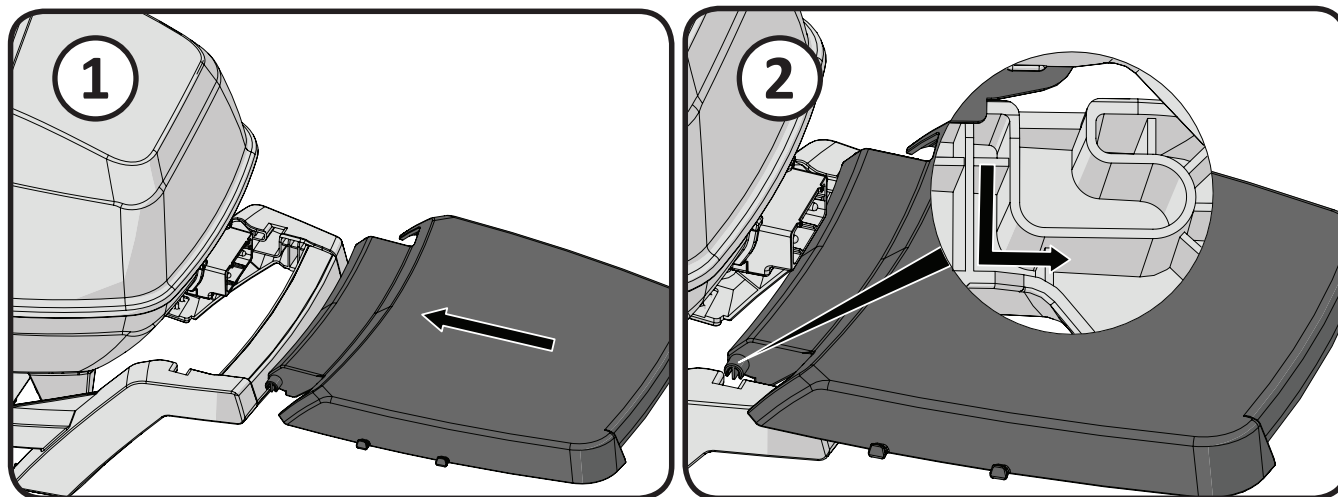
Pred pečenjem segrejte žar s pokritim pokrovom približno 15-20 minut, nato nastavite na poljubno temperaturo. To so navodila za pečenje na prostem pri temperaturi ozračja 22°C. Poizkusite Napoleonove pripomočke za dimljenje s sekanci z okusom ameriškega hrasta ali mesquita.

Hrana	Nastavitve	Čas pečenja	Koristni nasveti
Zrezek 2.54cm debelina	Visoka nastavitev, 2 min. - vsaka stran Visoka nastavitev, 2 min. - vsaka stran nato srednja nastavitev Visoka nastavitev, 2 min. - vsaka stran nato srednja nastavitev	4 min. – angleško 6 min. – srednje 8 min. – skozi	Pri izbiri mesa za žar izberite meso z večjim deležem maščobe. Mast deluje kot naravni mehčalec med kuhanjem in meso ohranja vlažno in sočno.
Hamburger 1.27cm debelina	Visoka nastavitev, 2 min. - vsaka stran Visoka nastavitev, 2,5 min. - vsaka stran Visoka nastavitev, 3 min. - vsaka stran	4 min. – angleško 5 min. – srednje 6 min. – skozi	Priprava hamburgerjev po naročilu je olajšana s spreminjanjem debeline pleskavice
Kosi piščanca	Visoka nastavitev, 2 min. - vsaka stran nato srednja do nizka nastavitev	20-25 min	Povezava stegna in noge s strani brez kože naj bo narezana $\frac{3}{4}$ poti skozi meso za bolj položno lego mesa na žaru. To omogoča hitrejše in enakomernije kuhanje.
Svinjski zrezki	srednje	6 min. na vsaki strani	Odrežite odvečno mast pred peko na žaru. Izberite debelejšo kotleto za bolj mehko meso.
Svinjske rebrce – spare ribs	Visoka nastavitev 5 min Nizka za zaključek	20 min. na vsaki strani pogosto obračanje	Izberite vitka in mesnata rebra. Pecite meso, dokler ne odstopi zlahka od kosti.
Jagnječje zarebrnice	Visoka nastavitev za 5 minut Srednje za zaključek	15 min. na vsaki strani	Odrežite odvečno mast pred peko na žaru. Izberite debelejšo kotleto za bolj mehko meso.
Hrenovke	Srednje - nizko	4-6 min	Izberite večjo velikost hrenovk. Prerežite kožo po dolžini pred peko.

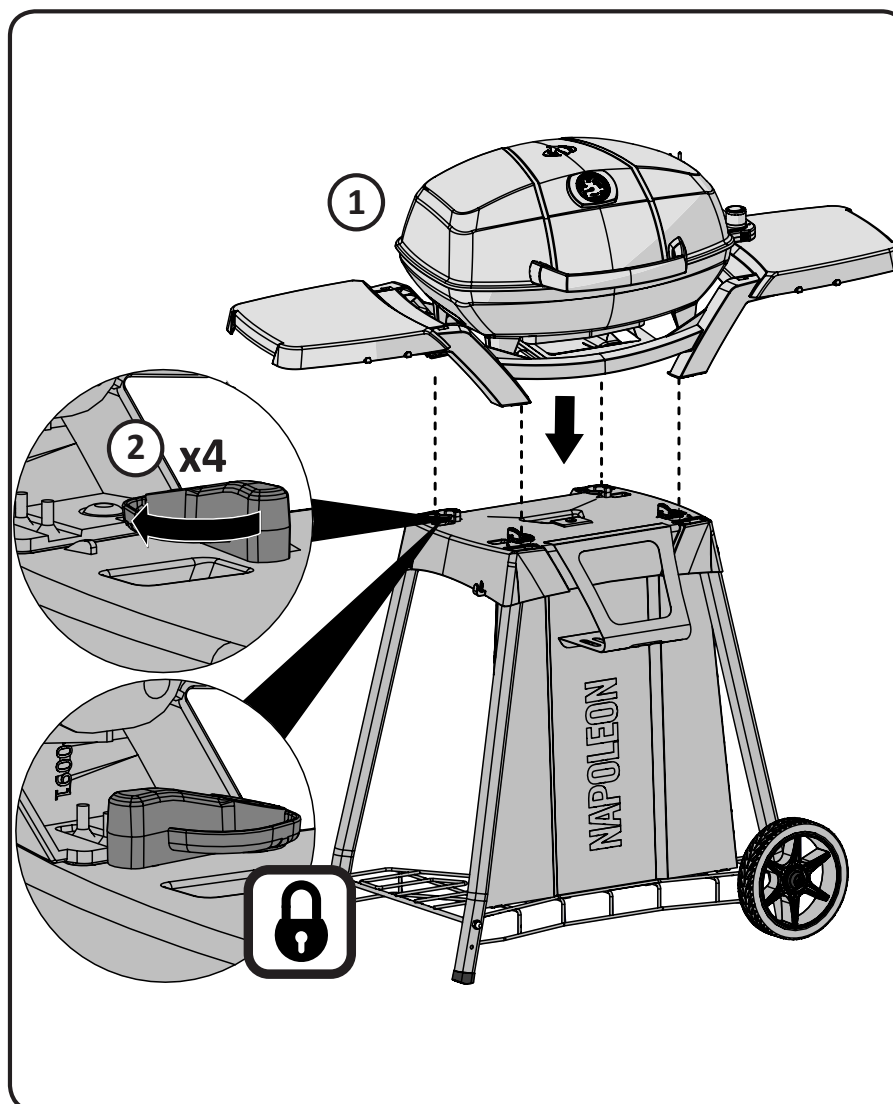
Odpravljanje napak

Težava	Možni vzroki	Rešitev
Ni vročine	<p>Termostat ni prižgan.</p> <p>Ni električne moči.</p> <p>Napaka v termostatu ali žar plošči.</p>	<p>Termostat nastavite na maksimalno temperaturo.</p> <p>Termostat mora biti popolnoma nameščen na žar plošči in pravilno vključen v vtičnico.</p> <p>Poizkusite vključiti napravo v drugo vtičnico.</p> <p>Preverite za preskoke v napeljavi. Ponastavite.</p> <p>Nastavite termostat na maksimalno temperaturo.</p> <p>Pred pečenjem segrejte žar pri zaprtem pokrovu približno 15-20 minut.</p> <p>Zamenjajte termostat ali žar ploščo.</p>
Prenizka vročina.	<p>Neppravilno segrevanje.</p> <p>Prekomerno izgorevanje v centru žara.</p>	<p>15-20 minut segrevajte žar. Povečajte temperature.</p> <p>Očistite notranjost žara.</p>
Neanakomerni plamen in prekomerni povratni ogenj	<p>Prekomerna maščoba v mesu.</p> <p>Prekomerna temperatura pečenja.</p> <p>Kopičenje maščobe.</p>	<p>Odstranite odvečno maščobo pred pečenjem.</p> <p>Prilagajajte temperaturo pečenja po potrebi.</p> <p>Očistite žar.</p>
Preskoki v stiku in izpadi varovalke	<p>Prekinitve napetosti moči.</p> <p>Istočasni priklop druge naprave v isto napajalno omrežje.</p> <p>Vlaga ali voda v termostatu ali električni napeljavi.</p>	<p>Kontrolni gumb obrnite na OFF (izklop) preden priklopite električni kabel.</p> <p>Ne priklopljajte drugih električnih pripomočkov na isto napajalno omrežje.</p> <p>Termostat in električne komponente morajo ostati suhe.</p>

DODATNA POLICA



OPCIJA STOJALO





Navodila za čiščenje

OPOZORILO! Med servisiranjem žara vedno nosite zaščitne rokavice in zaščitna očala.

OPOZORILO! V izogib opeklinam, vzdrževanje žara opravite ko je ohlajen. Izogibajte se nezaščitenemu stiku z vročimi površinami. Poskrbite, da je žar ugasnjen. Žar čistite na območju, kjer ne boste poškodovali miz, trate ali terase. Za čiščenje žara ali kateregakoli dela žara ne uporabljajte čistil za pečice. Za čiščenje rešetk ali katerega koli drugega dela žara ne uporabljajte samočistilnih pečic. Omake za žar in sol lahko povzročajo rjavenje in krajšajo življensko dobo žara in njegovih delov v kolikor jih ne čistite redno.

Litoželezne žar rešetke: Litoželezne rešetke vašega novega žara, ponujajo idealno razporeditev in zadrževanje vročine. Z rednim premazom rešetk z oljem boste dodali zaščitno plast, ki bo v pomoč proti koroziji in proti prijemanju.

Pred prvo uporabo: Umijte litoželezne rešetke z gobico in nežnim detergentom ter vodo. Tako boste odstranili vso umazanijo, ki je ostala pri proizvodnem procesu (NIKOLI JIH NE UMIVAJTE V POMIVALNEM STROJU). Temeljito sperite z vročo vodo in posušite z mehko krpo. To je zelo pomembno, saj s tem preprečite kopičenje vlage v litem železu. Ko boste prvič prižgali žar, bo le-ta izpuščal rahel vonj, ki pa izgine pri segrevanju.

Vzdrževanje: Rešetke temeljito premažite z rastlinsko mastjo po celotni površini (poskrbite, da prekrijete vse robove in kote). Ne uporabljajte maščobnih sredstev ki vsebujejo sol, kot so margarina ali maslo. Segrevajte žar približno 15 minut, nato položite premazane rešetke na svoje mesto v žar. Žar grejte na srednji toploti s pokritim pokrovom. Rešetke naj se grejejo približno pol ure. Izklopite žar (obrnite kontroler na OFF) in pustite, da se rešetke ohladijo. Ta postopek bi morali ponoviti večkrat čez vašo sezono pečenja. Tega postopka ni potrebno ponavljati pri vsakodnevni uporabi (glejte spodaj dnevna uporaba).

Dnevna uporaba: Pred segrevanjem in čiščenjem s krtačo za žar iz medenine, premažite zgornjo površino rešetk z jedilnim oljem. Segrejte žar in nato s krtačo iz medenine odstranite nezaželene ostanke.

Čiščenje notranjosti žara: Odstranite rešetke. Uporabite mehko medeninasto krtačo, da odstranite večje kose iz kadi. Vse dele skrtačite iz notranjosti v pladenj za zbiranje maščob. Odstranite pladenj za zbiranje maščob. Ne uporabljajte čistil, ki fizično odstranjujejo madeže. Za odstranjevanje trdovratnih madežev, uporabite milnico. Očistite z ne-mehaničnimi čistili in obrišite čisto suho krpo. Prepričajte se, da je rešetka po čiščenju nameščena pravilno.

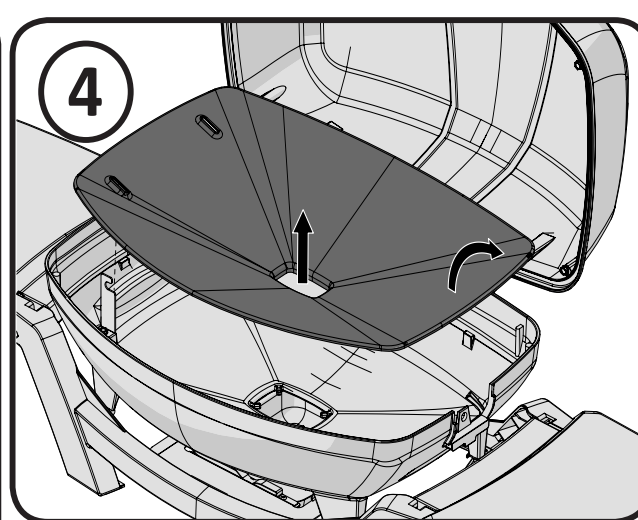
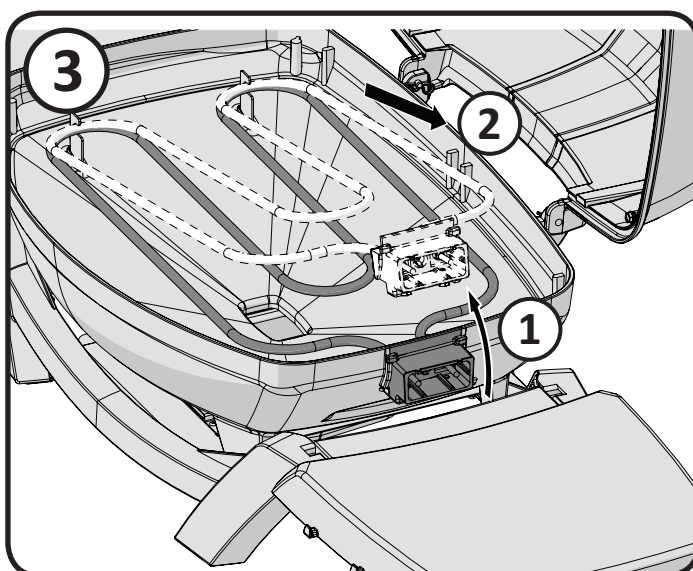
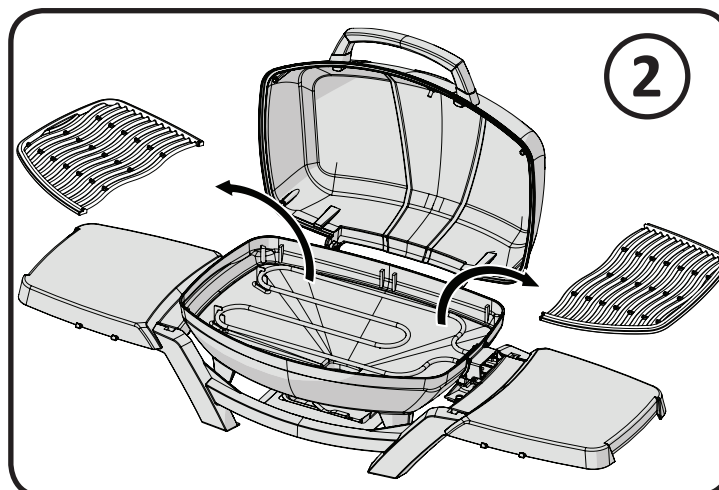
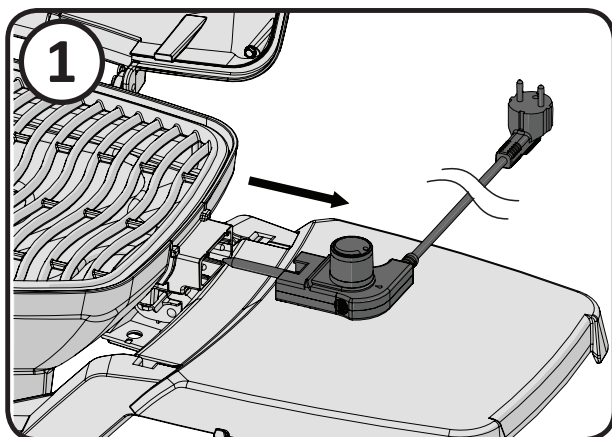
Pladenj za maščobe: Za lažje čiščenje vzemite pladenj iz žara. V izogib nabiranju maščob ga očistite pogosto (vsako 4-5 uporabo). Maščobe in sokovi se kopičijo v posodici pod pladnjem. Nabiranje maščob lahko povzroči nevarnost požara. Pladnja za zbiranje maščob ne tesnite s folijo, ker lahko preprečite dovod zraka potreben za pravilno delovanje gorilnikov. Pladenj očistite s strgalom.

Zunanjo čiščenje žara: Za čiščenje barvanih delov ne uporabljajte čistil z mehničnim delovanjem čiščenja. Za zaščito emajliranih delov uporabite blag detergent z mehko krpo ali uporabite čopič za odstranitev kislinskih ostankov. Dokončajte s čisto suho krpo.

Navodila za čiščenje

Razstavljanje:

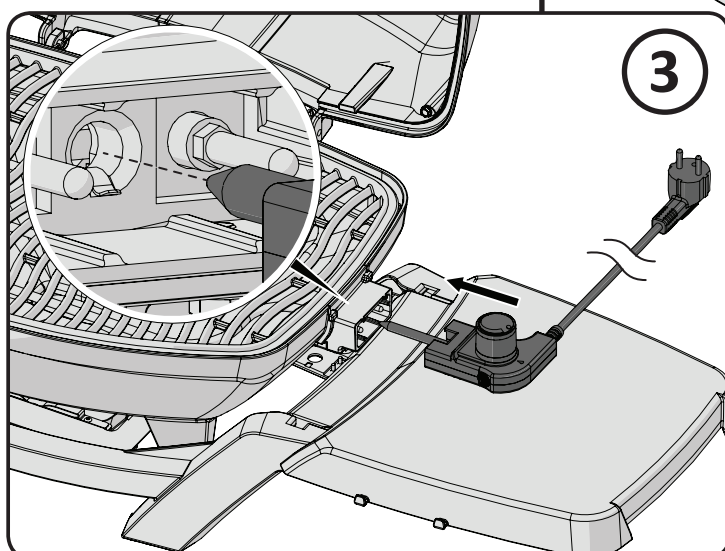
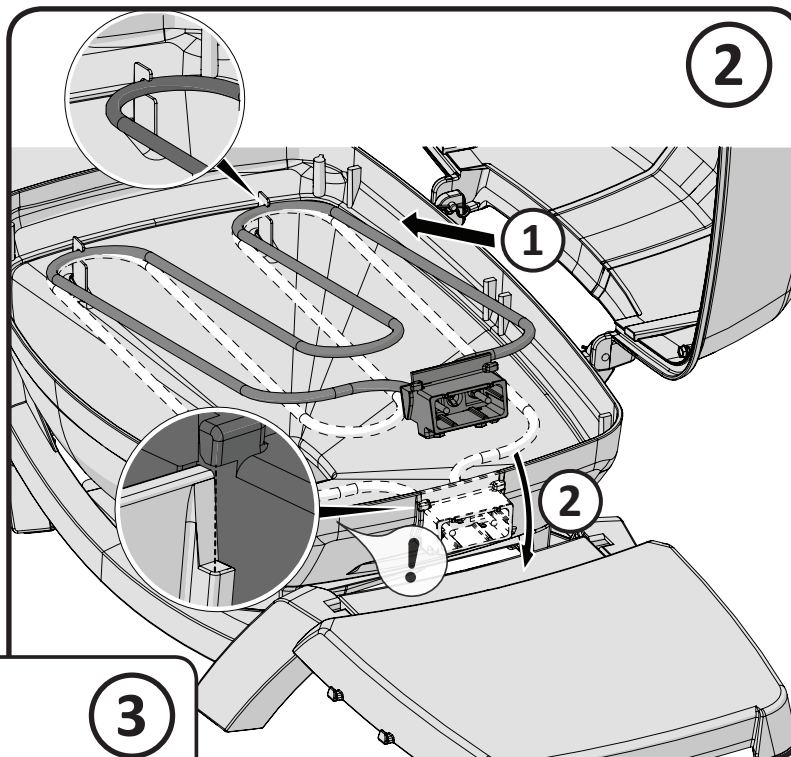
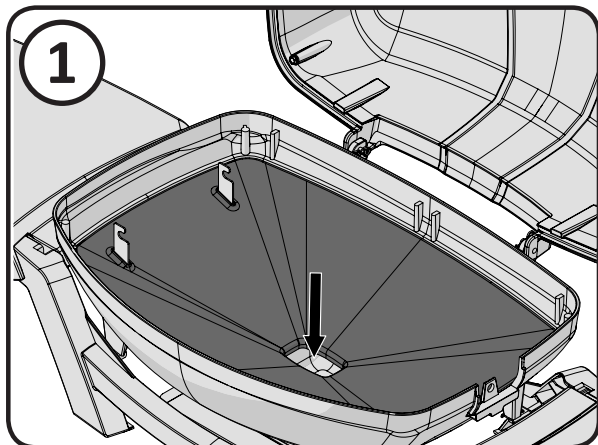
1. Izklopite napajalni kabel in odstranite termostat.
2. Odstranite rešetke.
3. Odprite vzmetno sponko in odstranite gorilnik iz žara.
4. Odstranite osnovno oblogo.



SI

Ponovno sestavljanje:

1. Vstavite osnovno oblogo.
2. Vstavite ukrivljene konce grelnega telesa v podporne sponke.
3. Vpnite grelni element na svoj mesto.
4. Vstavite termostat in rešetke.



SI

Shranite račun kot dokazilo o nakupu, za uveljavitev garancije.

Naročilo nadomestnih delov

Informacije o garanciji

MODEL: _____

DATUM NAKUPA: _____

SERIJSKA ŠTEVILKA: _____

(Evidenca informacij za lažje iskanje)

Za zamenjavo rezervnih delov in uveljavljane garancije, kontaktirajte prodajalca, pri katerem ste opravili nakup Napoleonovega izdelaka.

Preden se obrnete na servis, preverite na Napoleon spletni strani za bolj intenzivno čiščenje, vzdrževanje, odpravljanje napak in navodila zamenjave nadomestnih delov v www.napoleon.com.

Za obdelavo zahtevka, mora biti opremljeno z naslednjimi podatki:

1. Model in serijska številka enote.
2. Številka nadomestnega dela in opis.
3. Natančen opis težave(,zlomljeno ni dovolj')
4. Potrdilo o nakupu (fotokopija računa).

V nekaterih primerih lahko predstavnik podjetja Napoleon zahteva, da se deli vrnejo v tovarno na pregled preden zagotovijo nadomestne dele.

- Preden se obrnete na predstavnika podjetja Napoleon, vedite, da sledeči elementi niso zajeti v garancijo.
- Stroški transporta, posredniške ali izvozne dajatve.
- Stroški dela za odstranjevanje in ponovno montažo.
- Stroški storitev diagnosticiranja težav.
- Sprememba barve delov iz nerjavečega jekla.
- Poškodba delov zaradi pomanjkanja čiščenja in vzdrževanja, ali uporabe neprimernih čistil (čistila za pečice).

SI

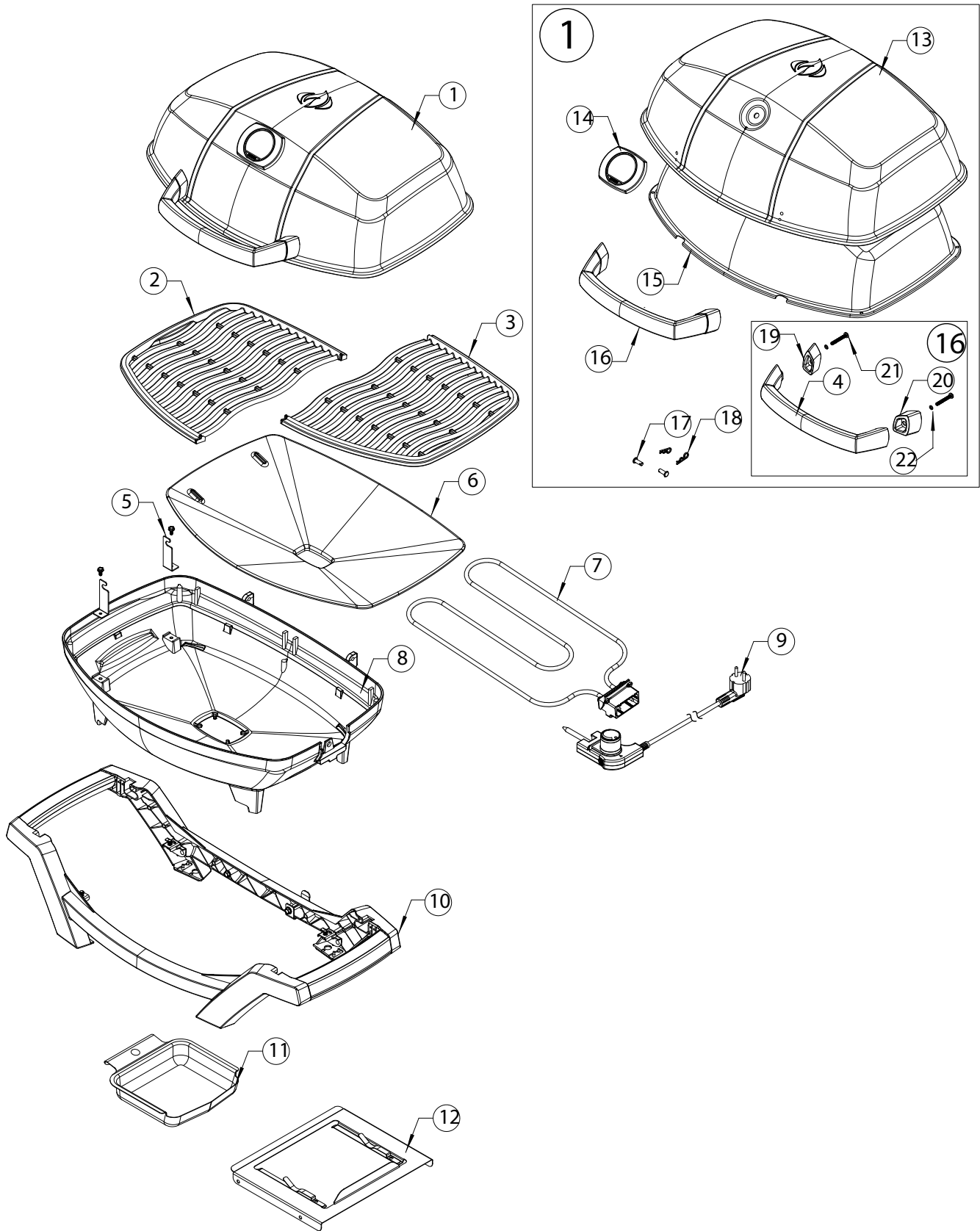
PRO285E Parts List

ITEM	PART NUMBER	DESCRIPTION	PRO285E
1	N010-1008-SER	PRO285-LID ASSY	x
2	Z305-0012-BK2FL	NGZ GRID, COOKING CAST LEFT (285)	x
3	Z305-0013-BK2FL	NGZ GRID, COOKING CAST RIGHT (285)	x
4	N325-0083	NGZ, HANDLE LID (PRO285)	x
5	N370-0861-SER	KIT, BRACKET FRONT/REAR ELEMENT	x
6	Z585-0015	NGZ, BASE LINER, PORCELAIN COATING (PRO285E)	x
7	Z010-0048	NGZ, ELEMENT (PRO285E)	x
8	Z135-0003-BK1HT	NGZ, CASTING BASE BLACK (PRO285E)	x
9	Z690-0001	NGZ, THERMOSTAT ASSY (PRO285E)	x
	Z690-0002	THERMOSTAT, PRO285E GB	x
10	N010-1009-SER	ASSY, CRADLE (PRO285E)	x
	N075-0091	NGZ, LEG CRADLE FRONT/BACK (PRO285)	x
	N075-0091-EQ	NGZ, LEG CRADLE FRONT WITH EQ ARTWORK	x
11	N710-0079	NGZ, PAN DRIP (285/285X)	x
12	N010-0830	ASSY, DRIP PAN PLATE (PRO285)	x
13	N135-0048-BK1HG	CASTING, LID PRO285	x
14	N685-0023	TEMP GAUGE, PRO285	x
15	Z585-0014	NGZ, LID HEAT SHIELD (PRO285E)	x
16	N010-1010-SER	ASSY, LID HANDLE (PRO285E)	x
17	N485-0023	NGZ PIN, CLEVIS 6MM X16MM (PRO285)	x
18	N485-0021	NGZ PIN, HAIRPIN COTTER 2MM X 28MM (285)	x
19	N655-0179	NGZ, SUPPORT, LID HANDLE LEFT	x
20	N655-0180	NGZ, SUPPORT, LID HANDLE RIGHT	x
21	Z570-0029	SCREW, 10-24 35 MM STN STL PAN HEAD	x
22	Z735-0009	NGZ, WASHER, LOCK-SPLIT STN STL M5	x
	PRO285-STAND	OPTIONAL CART AND SHELVES FOR PRO285	ac

x - standard	ac – accessory
x - стандарт	ac - принадлежность
x - standard	ac - akcesorium
x - Standard	ac - dodatci
x - Standard	ac - dodatki



PRO285E Parts Diagram

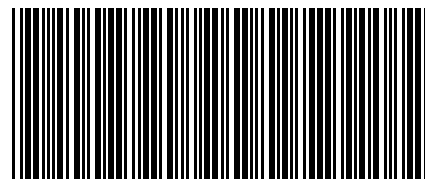








Napoleon products are protected by one or more U.S. and Canadian and/or foreign patents or patents pending.



N415-0478E

