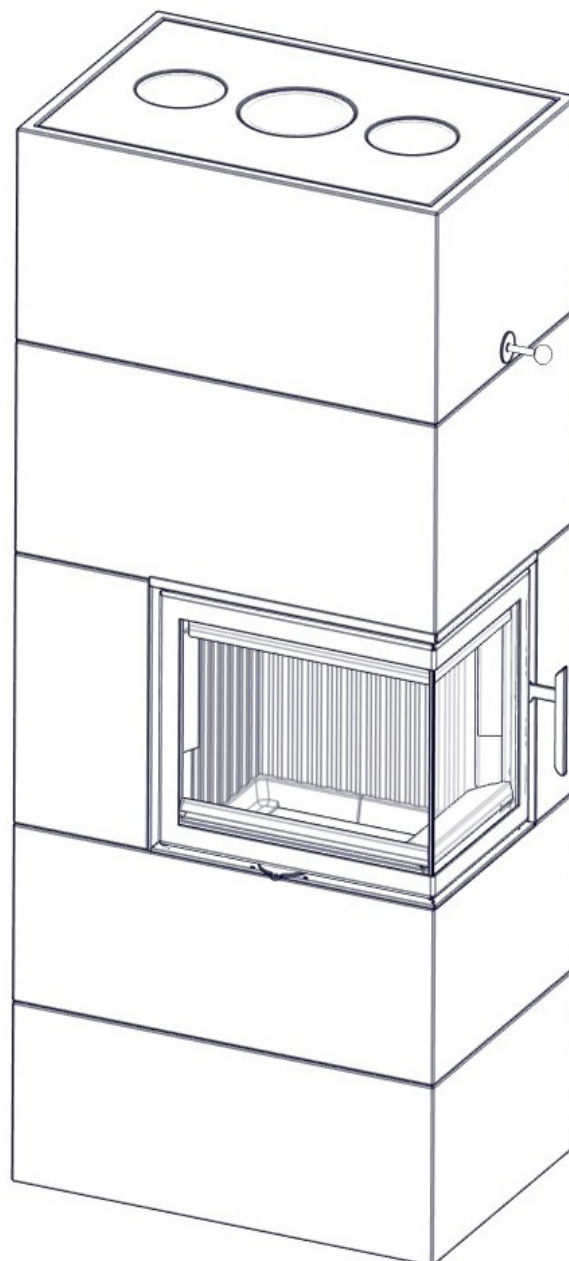
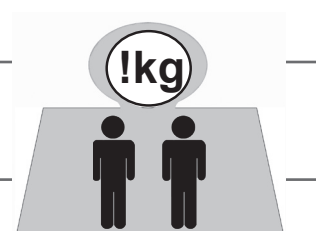


| | | |
|----|-----------------------|----|
| GB | Installation manual | 2 |
| DE | Montageanleitung | 10 |
| FR | Manuel d'installation | 19 |



Salzburg C

Art.no: PN-SAL03-20R, PN-SAL03-20L
Last updated: 06.12.2022
RRF nr: RRF-50 15 3896



IMPORTANT SAFETY PRECAUTIONS!

1. Please follow the installation manual when connecting your stove / fireplace to the chimney / flue pipe. If connected differently from instruction please, consider the heat radiation from the flue pipe to the surrounding materials.
2. Before use, please carefully read the user manual and follow the instructions.
3. Integrated or defined convection openings may never be reduced or partially obstructed. This may lead to overheating, which again can cause house fire or serious damage to the product.
4. Use only designated fire starters. **Never use gasoline, diesel or other liquids to start the fire. This may cause explosions!**
5. Never use other fuel than natural dry chopped wood. Briquettes, peat, coke, coal and waste from construction materials develops far higher temperatures and emissions than natural wood. Since your product has been designed for use with natural wood only, other fuels may damage the product, chimney and surrounding constructions.
6. In case of damage to glass or door gasket, all use of the product must be discontinued until the damage has been repaired.
7. Products connected to a vented steel chimney must never be operated with open or ajar door other than reloading of wood or shortly during kindling process.

Failure to follow these precautions will leave your warranty void and expose people and property to danger.

Advise: Even if not required in your area, it is always wise to have a qualified stove / fireplace fitter do the installation, or at least the final inspection before use.

INDEX

| | |
|--|----------|
| 1. General information about heat accumulating fireplaces | 3 |
| Double- action damper | 3 |
| Air vent | 3 |
| Cleaning the Smoke Duct System | 3 |
| Ash and Ash-pan | 3 |
| Weight | 3 |
| Firewall | 3 |
| Connection to chimney | 3 |
| Glue | 4 |
| Minor dents | 4 |
| Painting | 4 |
| Polishing | 4 |
| Tiles | 4 |
| Thermotte™ | 4 |
| Cracks in the Powerstone™ | 4 |
| 2. Warranty | 4 |
| Recycling of the refractory glass | 4 |
| Packaging Recycle | 5 |
| Door and glass | 5 |
| 3. Advice on lighting a fire | 5 |
| Burning Rhythm | 5 |
| Storing of Wood | 5 |
| Burning | 5 |
| Choice of fuel | 6 |
| 4. Technical info | 6 |
| 5. Before installing a new fireplace | 6 |
| Chimney draft | 6 |
| Shared flue gas system | 7 |
| Air supply (=mm AIR) | 7 |
| Drying Procedure | 7 |
| Combustion pace | 7 |
| 6. Assembly | 8 |
| 7. Some advice in case of combustion problems | 9 |

General information about heat accumulating fireplaces

Heat accumulating fireplaces differ from other fireplaces in that they are intended to provide a moderate heat for prolonged periods with a limited time of burning. Conventional fireplaces give off strong heat during the burning period but with a very limited cool-down period.

The heat accumulating fireplaces from Nordpeis have a long duct system where the heat developed in the combustion chamber passes through the duct system before it exits through the chimney. The heat from the gases is absorbed by the material surrounding the smoke ducts, and by the time the smoke exits through the chimney. The efficiency of a well-constructed heat accumulating fireplace is thus far better than the efficiency of a conventional fireplace.

A heat accumulating fireplace can keep an even temperature throughout the day with only one heating cycle.

Double- action damper

The stove is fitted with a double action damper, and controls two functions: bypass and chimney damper. When the damper rod is pulled all the way out, the flue gasses will bypass the canal system and exit through the chimney. This function is used when lighting the fire. When the stove and the chimney has reached operating temperature after 10 – 30 minutes the damper rod should be pushed half way in until a “click” is heard. In this position the bypass damper is closed and the flue gasses are forced through the stove’s canal system which is absorbing the heat of the flue gasses before it is released to the chimney.

The bypass damper should also be opened before opening the door for re-fuelling wood, and then closed again.

WARNING: Using the stove over prolonged periods with open bypass damper may expose the chimney to higher temperatures that it is design for.

By pushing the damper rod all the way in, both bypass and the chimney damper will be closed. This closes off the canal system from the chimney, preventing the heat accumulated in the stove to be lost through the chimney. This function should never be used before the fire is out and only a bit of embers are left in the stove.

WARNING: Closing the chimney damper too early can result in flue gasses entering the room and cause carbon monoxide poisoning.

Air Vent

When burning in a heat accumulating fireplaces the air vent is traditionally kept open to a maximum. This ensures optimal combustion and minimises carbon deposits in the smoke duct system. In addition it makes it easier to keep the glass clean during intensive burning. However, should one wish for a longer burn period and slower flames, the air vent is adjusted and reduced. Salzburg is equipped with secondary

combustion technology, which can normally only be found on modern fireplaces. This ensures clean combustion and high efficiency, even at lower loads.

Cleaning the Smoke Duct System

When the fireplace is used every day throughout the heating season, we recommend that the smoke duct system is swept once yearly. This is to maintain the draught and efficiency. Soot isolate the ducts and thus lower the efficiency. One can also notice that the draught is reduced and that the flames are difficult to control with the air vent function. Remember that the fireplace must always be cold before it is swept / inspected.

In order to clean the ducts, remove the Thermotte baffle plate and the two Thermotte side / back plates. Remove the two revision covers in the Powerstone and then insert the cleaning brush both up- and downwards. The soot will collect in the bottom and can be removed with an ash-cleaner by removing the ash grate and the ash-boxes. The flue pipe can be swept by removing the revision covers on top of the stove.

By rear or lateral connection the flue can be swept by removing the smoke baffle and then opening the bypass damper.

The inspection shall be performed by the Professional servicemen.

Ash and Ash-pan

The ash-pan consists of an inner part which is used for the regular emptying of ashes. The duct system can be reached when the outer part of the ash-pan also is removed.

The ashes must be emptied periodically. Please note that the ash may contain hot embers even several days after the fire has ceased. Use a container of non-combustible material to remove the ashes.

Weight

The home owner must ensure that the floor can withstand the load of the total weight of the product.

Firewall

Freestanding fireplaces can be installed without a firewall. Observe all safety distances to combustible materials.

Connection to Chimney

Follow specifications from the chimney manufacturer for connection to the chimney. Dry stack the fireplace for accurate height and positioning of the flue/chimney connection.

The product is not compatible with top connected concrete chimney.

Maximum weight of steel chimney (top connection) is 300kg.

By top connection to steel chimney, we refer to the respective manufacturer's installation instructions. Requirements for Floor Plate by Combustible Floor
Follow the requirements for floor plate (stone, steel, etc.) that apply in the country that the product is installed in.

Glue

The outer elements should be glued with the acrylic which is included. Make sure that all the surfaces that are to be glued are free of dust. The surfaces can be cleaned for better adhesion. Ensure that the surfaces are dry before spreading on the acrylic. Once the fireplace is assembled, fill the joints with acrylic and even it out with a sponge or finger and some soapy water, in order to have a clear indentation between the elements (FIG Z).

Minor Dents

Transportation and handling can cause minor dents to the product. This can be repaired with the powder glue which is included. For a perfect result you can fill and grind with a suitable filler on top of the powder glue. Fill smaller cracks and uneven surfaces with a float or a brush. If the dent is deep, it is recommended to fill in several stages to avoid sinking. Even out with e.g. a damp sponge or a float.

Painting

The surface of the chimney surround is developed to be painted without priming work. Use latex or acrylic based paint (emulsion paint), or cement-based textured paint. In the unlikely case that there are some irregularities in the surface, these can be filled with the acrylic which is included, or a light and appropriate filling material. Any surface that has been filled needs to be smoothed with fine sand paper.

Polishing

If a more traditional and polished surface is wished for, it is recommended to dampen the surround and then cover it with tile adhesive (powder glue) and a fiberglass mesh, prior to possibly adding mortar or mineral polish.

Tiles

This fireplace can also be partially or completely covered with tiles / natural stone of your choice. As for the section above on "Polishing", we recommend that the chimney surround is dampened before it is covered with tile adhesive (powder glue) and a fiberglass mesh. This is to ensure good adhesion and prevent the formation of cracks at the joints of the surround.

Please note that the adhesive and mortar must set before burning in the fireplace. Follow the instructions from the mortar/adhesive producers.

Regardless of surface treatment it is advantageous to mask the entire door frame to avoid having to clean it later.

Please note that the air gap between the surround and the door frame must not be filled with glue, mortar or similar.

Thermotte™

The insulation plates (Thermotte) are classified as "wear and tear" parts which will require to be exchanged after some years. The wear time will depend on the individual use of your product.

Nordpeis offers a one-year warranty on these parts. After this, replacements can be purchased.

Please note: Wood logs that are too long can cause additional strain and crack the plates, due to the tension created between the side plates.

Cracks in the i PowerStone

Due to thermal effects there may be small cracks / fissures in the PowerStone. This is natural and does not affect the product's function or safety.

2. Warranty

Warning!
Use replacement parts recommended only by the Manufacturer.

Warning!
Any unauthorized modification of the appliance without written permission of the Manufacturer are prohibited.

For detailed description of the warranty conditions see the enclosed warranty card or visit our website www.nordpeis.com

Recycling of the refractory glass

Refractory glass cannot be recycled. Old glass, breakage or otherwise unusable refractory glass, must be discarded as residual waste. Refractory glass has a higher melting temperature, and can therefore not be recycled together with glass. In case it would be mixed with ordinary glass, it would damage the raw material and could, in worst case end the recycling of glass. It is an important contribution to the environment to ensure that refractory glass does not end up with the recycling of ordinary glass.

**CERAMIC GLASS
CANNOT BE
RECYCLED**

Ceramic glass should be disposed of as residual waste, together with pottery and porcelain



Packaging Recycle

The packaging accompanying the product should be recycled according to national regulations.

Door and Glass

Should there be any soot on the glass it may be necessary to clean it. Use dedicated glass cleaner, as other detergents may damage the glass/gaskets. (NB! Be careful, even dedicated glass cleaner can damage the varnish on the door frame and gaskets). A good advice for cleaning the glass is to use a damp cloth or kitchen roll paper and apply some ash from the burn chamber. Rub around the ash on the glass and finish off with a piece of clean and damp kitchen roll paper. NB! Only clean when the glass is cold.

Periodically, it may be necessary to change the gaskets on the door to ensure that the burn chamber is air tight and working optimally. These gaskets can be bought as a set, usually including ceramic glue.

Combustion pace

A heat storing product should not be burned in too aggressively as this may damage the product. In order to get the most out of a heat storing product, it is therefore important to optimise the combustion pace and the size of the loads. Read the combustion rates and load sizes that apply to your product.

3. Advice on Lighting a Fire

The best way to light a fire is with the use of lightening briquettes and dry kindling wood. Newspapers cause a lot of ashes and the ink is damaging for the environment. Advertising flyers, magazines, milk cartons and similar are not suitable for lighting a fire. Good air supply is important at ignition. When the flue is hot the draught increases and door can be closed.

Warning: In order to avoid injuries, please be aware that the surface may become hot during operation. be hot and that extra care need to be taken to avoid skin burn.

Warning: NEVER use a lighting fuel such as petrol, paraffin, methylated spirits or similar for lighting a fire. This could cause injury to you as well as damaging the product.

Use clean and dry wood with a maximum moisture content of 20% and minimum 15%. Humid wood requires a lot of air for the combustion, as extra energy/heat is required for drying the humid wood and heat effect is therefore minimal. In addition this creates soot in the chimney with the risk of creosote and chimney fire.

In case of a chimney fire, close the door and air supplies on the stove / insert and call the Fire Brigade. After a chimney fire the chimney must in all cases be inspected by an authorized chimney sweeper before you use the appliance again.

Storing of Wood

In order to ensure that the wood is dry, the tree should be cut in winter and then stored during the summer, under roof and in a location with adequate ventilation. The wood pile must never be covered by a tarpaulin which is lying against the ground as the tarpaulin will then act as a sealed lid that will prevent the wood from drying. Always keep a small amount of wood indoors for a few days before use so that moisture in the surface of the wood can evaporate.

Burning

Not enough air to the combustion may cause the glass to soot. Hence, supply the fire with air just after the wood is added, so that the flames and gases in the combustion chamber are properly burnt off. Open the air vent and have the door slightly ajar in order for the flames to establish properly on the wood.

Note that the air supply for the combustion also can be too large and cause an uncontrollable fire that very quickly heat up the whole hearth to an extremely high temperature (when burning with a closed or nearly closed door). For this reason you should never fill the combustion chamber completely with wood.

Warning!
The Firebox shall to be always closed except during ignition, refueling and ash removal.

Lighting a fire

Kindling wood
Finely chopped (diameter of 3-5cm)
Length: 25-35cm
Ca. amount pr lighting : 3 kg

Place the air vent control in ignition mode - maximum to the right. Set the damper in by-pass mode pulling the lever out.

Insert small, dry pieces of wood, ignite and ensure the flames have taken proper hold of the wood. When the flames are stable and the chimney is warm, pull the air control out of the ignition mode turning left, when click sound is felt and heard, the ignition air is closed.

After 15-20 minutes from starting fire set the damper in normal work mode. Smoke starts circulating in the ducts and heat from it will be passed and stored in the Power Stone core.

When there is a glowing layer of ash, new wood logs can be inserted. Pull the hot ember to the front of combustion chamber when inserting new logs so that the wood is ignited from the front. Place first layer of

wood logs perpendicular to the front. The fire should burn with bright and lively flames.

Reload size

Chopped wood (diametre of 6-9cm)
 Length: 25-35cm
 Normal load size. 3,75 kg /h

When the fire end, close smoke damper in order to store more warmth inside appliance.

Choice of Fuel

All types of wood, such as birch, beech, oak, elm, ash and fruit trees, can be used as fuel in the stove. Wood species have different degrees of hardness - the higher the hardness of the wood, the higher the energy value. Beech, oak and birch havest the highest degree of hardness.

Attention! We do not recommend the use of fuel briquettes / compact wood in our combustion chambers, as these products may develop significantly higher temperature than the combustion chamber can withstand. Burning briquettes / compact wood is at your own risk and can cause invalidity of the warranty.

Warning:

NEVER use impregnated wood, painted wood, plywood, chipboard, rubbish, milk cartons, printed material or similar. If any of these items are used as fuel the warranty is invalid.

Common to these materials is that they during combustion can form hydrochloric acid and heavy metals that are harmful to the environment, you and the stove. Hydrochloric acid can also corrode the steel in the chimney or masonry in a masonry chimney. Also, avoid burning bark, sawdust or other extremely fine wood, apart from when lighting a fire. This form of fuel can easily cause a flashover that can lead to temperatures that are too high.

Warning: Make sure the stove is not overheated - it can cause irreparable damage to the product. Such damage is not covered by the warranty.

Source: "Håndbok, effektiv og miljøvennlig vedfyring" by Edvard Karlsvik SINTEF Energy Research AS and Heikki Oravainen, VTT.

**4. Technical information:
 - Salzburg C**

| | |
|--|--|
| Minimum distances to combustible materials | Back 50 mm Side 50 mm Ceiling 550 mm |
| CO-content of flue gas @ 13%O ₂ | <1500 mg/m ³ |
| Flue gas temperature | 140 °C |
| Thermal output | 54,5 kWh 196 056 kJ |
| Thermal storage capacity | 100% after 4,8 hrs 50% after 11,7 hrs 25% after 20,1 hrs |
| Energy efficiency | 84 % |
| Nominal heat output during discharge period (100%-25%) | 3,6 kW |
| Chimney draft | 12 Pa |
| Length of wood logs | 350 mm |
| Weight | 936 kg |
| Load size (kg) | 3,0 kg |
| Max nr. loads | 5 |
| Loading interval | 1 / hour |
| Nr. burning cycles per 24 hours | 1 |

5. Before Installing a new fireplace

Several European countries have local regulations for installation of fireplaces, which change regularly. It is the responsibility of the client that these regulations are complied with in the country/region where the fireplace is installed.

Nordpeis AS is not responsible for incorrect installation.

Important to check

(please note that this list is not exhaustive):

- distance from firebox to combustible/flammable materials
- insulation materials/requirements between fireplace surround and back wall
- size of floor plates in front of fireplace if required
- flue connection between firebox and chimney
- insulation requirements if flue passes through a flammable wall

Chimney Draft

Compared to older models, the clean burning fireplaces of today put significantly higher demands on the chimney. Even the best fireplace will not work properly if the chimney does not have the right dimensions or

is not in good working order. The draught is mainly controlled by gas temperature, outside temperature, air supply as well as the height and inner diameter of the chimney. The diameter of the chimney should never be less than that of the flue/chimney collar. At nominal effect there should be a negative pressure of 12 to 25 Pascal.

The draft increases when:

- The chimney becomes warmer than the outside air
- The active length of the chimney over the hearth increases
- Good air supply to the combustion

It can be difficult to obtain the right draught conditions in case the chimney is too large relative to the fireplace, as the chimney does not heat up well enough. In such cases you may want to contact professional for evaluation of possible measures. Draught that is too strong can be controlled with a damper. If necessary, contact a chimney sweeper. The product is type tested and should be connected to a chimney that is dimensioned for the smoke gas temperature indicated in the CE declaration. When necessary, contact a professional in advance

Attention! It is recommended to use a qualified professional when installing a new fireplace.

Shared flue gas system

Appliance can be connected to shared flue gas pipe system.

Warning! In case of the appliance connected to shared flue gas pipe system - the Self Closing Door system must be operational.

Air supply (=mm AIR)

A set for fresh air supply is available as an accessory. This will ensure that the air supply to the combustion chamber is less affected by ventilation systems, kitchen fans and other factors which can create a down-draught in the room. In all new constructions, we strongly recommend the product is designed and prepared for direct supply of outside air. In older houses also, the use of fresh air supply set is also recommended. Insufficient air supply can cause poor draught and thereby low combustion efficiency and the problems this entails: soot stains on the glass, inefficient utilisation of the wood and a soot deposits in the chimney.

Warning! Keep the air intakes, supplying combustion air, free from blockage.

Warning! Extractor fans when operating in the same room or space as the appliance may cause problem.

Distance illustration (FIG 1)

*The illustration indicates the approximate centre height

of the recess for the flue. Consider possible inclination of the flue prior to making perforating the chimney. Distortions in floors and walls may also influence the height, dry stack therefore the fireplace for accurate height and positioning of the flue/chimney connection. If a fresh air supply set (accessory) is connected through the floor, mark where the hole should be.

Attention! Since the inner core is composed of many layers the connection height may vary by up to a few centimeters from installation to installation.

Safety distances (FIG 2)

Ensure that the safety distances are complied with.

IMPORTANT! Drying Process

The fireplace contains a lot of moisture when it is new and no fire has been made before. This moisture must be dried out before the fireplace can withstand the combustion rate given below.

To extract the moisture, follow this procedure:

1. Ensure that the air vent control just below the door is completely open
2. Ensure that the damper is in ignition mode.
3. Make a small fire with 0.5-1 kg of kindling wood
4. Set the damper in operating mode, once the flames have taken proper hold of the wood, this will ensure that the hot smoke circulates the ducts.

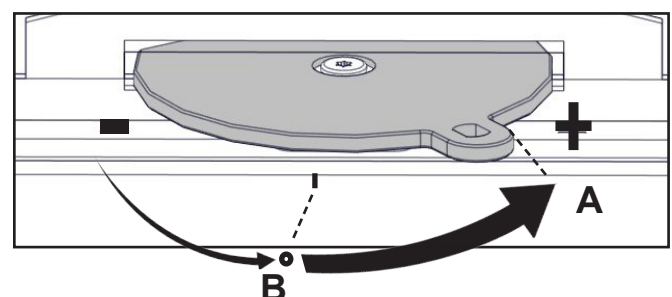
Attention! Let the air vent and damper remain open until the fire is burnt out.

This procedure is repeated twice more, with a 24 hrs gap between each time.

NB! Failure to follow the guidelines for drying can cause the elements to crack.

The air vent control is turned to the right to increase the air supply to Salzburg. The vent is working in two modes.

- A.** When you turn the vent maximally to the right it is in ignition mode.
- B.** If you turn the vent to the left ignition air is diminish. When you felt a click then ignition air is closed and there is maximum secondary air provided. Further turning to the left decrease amount of secondary air.



Combustion pace

An accumulating fireplace is designed to absorb thermal energy during a relatively short period of relatively intense heat. When the period of intensive combustion is completed, the product will deliver the accumulated heat over a longer period of time.

Attention! Combustion beyond the recommended pace (see table with Technical Information) will result in a higher surface temperatures, which can lead to discoloration of the paint. It can also result in higher than intended temperatures against combustible walls.

Follow the values in the table to find the correct load size and what loading interval is right for your product.

When the last load has passed into the ember phase with few embers left, the air vent and flue damper are closed to prevent heat escaping through the chimney.

Remember to open the flue damper before making a fire in the fireplace.

The bypass damper should only be open during when necessary for short periods (10-15 minutes) at the time a fire is lit, and at new loads, in order to prevent smoke or ash escaping into the room. Persistent combustion with an open bypass damper can result in exceeding the maximum allowed chimney temperature.

Due to the length of the smoke gas ducts, the fireplace is heated up somewhat unevenly. After lighting a fire, the front above the door and one of the sides will heat up first. The heat will then be evened out after a few hours of burning and when all the ducts have been warmed up.

6. Assembly

Attention! It is very important that installation instructions are read carefully and followed closely in order to ensure optimal functioning of the product.

Some advice in case of combustion problems

| Error | Explanation | Solution |
|---|--|--|
| No draught | The chimney is blocked | Contact a chimney sweeper / dealer for more information or clean the flue, smoke baffle and burn chamber. |
| | The flue is sooty or there is accumulated soot on the smoke baffle | |
| | The smoke baffle is wrongly positioned | Verify the assembly of the smoke baffle - see assembly instructions. |
| The stove release smoke when lighting the fire and during combustion | Downdraught in the room caused by no draught, that the house is too "air tight". | Light the fire with an open window. If this helps, more/bigger vents must be installed in the room. |
| | Downdraught in the room – caused by extractor and/or central ventilation system that pulls too much air out of the room. | Turn off/regulate extractor and/or other ventilation. If this helps, more vents must be installed. |
| | The flues from two fireplaces/stoves are connected to the same chimney at the same height. | One flue must be repositioned. The height difference of the two flue pipes must be of at least 30 cm. |
| | The flue is in a declining position from the smoke dome to the chimney. | The flue must be moved so that there is an inclination of at least 10° from smoke dome to chimney. Possibly install a smoke suction device*. |
| | The flue is too far into the chimney. | The flue must be reconnected so that it does not enter into the chimney but ends 5 mm before the chimney inner wall. Possibly install a smoke suction device*. |
| | Soot hatch in the basement or attic that is open and thus creating a false draught. | Soot hatches must always be closed. Hatches that are not tight or are defected must be changed. |
| | Damper/top draught vents or doors on fireplaces that are not in use are open and create a false draught. | Close damper, doors and top draught vents on fireplaces that are not in use. |
| | An open hole in the chimney after that a fireplace has been removed, thus creating a false draught. | Holes must be completely sealed off with masonry. |
| | Defect masonry in the chimney, e.g. it is not airtight around the flue pipe entry and/or broken partition inside the chimney creating a false draught. | Seal and plaster all cracks and sites that are not tight. |
| | The cross-section in the chimney is too large which results in no or very low draught. | The chimney must be refitted, possibly install a smoke suction device*. |
| | The cross-section in the chimney is too small and the chimney cannot carry out all the smoke. | Change to a smaller fireplace or build new chimney with a larger cross section. Possibly install a smoke suction device*. |
| The chimney is too low and hence a poor draught. | Increase the height of the chimney and/or install a chimney cap/ smoke suction device*. | |
| The stove releases smoke inside when it is windy outside. | The chimney is too low in relationship to the surrounding terrain, buildings, trees etc. | Increase the height of the chimney and/or install a chimney cap/ smoke suction device*. |
| | Turbulence around the chimney due to the roof being too flat. | Increase the height of the chimney and/or install a chimney cap/ smoke suction device*. |
| The stove does not heat sufficiently. | The combustion receives too much oxygen due to a leakage under the lower border of the stove or too strong chimney draught. Difficult to regulate the combustion and the wood burn up too quickly. | Any possible leakage must be sealed off. A draught regulator or possibly a damper can reduce the chimney draught. NB! A leakage of only 5 cm ² is enough for 30% of the heated air to disappear. |
| Too much draught | The smoke buffer is wrongly positioned. | Verify the positioning of the smoke buffer – see assembly instructions. |
| | In case of using oven-dried wood, this requires less air supply than when using normal wood. | Turn down the air supply. |
| | The gaskets around the door are worn and totally flat. | Replace the gaskets, contact your dealer. |
| | The chimney is too large. | Contact chimneysweeper or other professional for more details. |
| The glass is sooty | The wood is too wet. | Only use dry wood with a humidity of maximum 20%. |
| | The air vent control is closed too tightly. | Open the air vent control to add air to the combustion. When new wood logs are inserted all vent controls should be completely opened or the door slightly opened until the flames have a good take on the wood. |
| White glass | Bad combustion (the temperature is too low) | Follow the guidelines in this user guide for correct combustion. |
| | Using wrong material for combustion (such as: painted or impregnated wood, plastic laminate, plywood etc) | Ensure to use only dry and clean wood. |
| Smoke is released when the door is opened | A levelling out of pressure occurs in the burn chamber. | Open the air vent control for about 1 min before opening the door – avoid opening the door too quickly. |
| | The door is opened when there is a fire in the burn chamber. | Open the door carefully and/or only when there is hot ember. |
| White smoke | The combustion temperature is too low. | Increase the air supply. |
| | The wood is humid and contains water damp. | Ensure to use only dry and clean wood. |
| Black or grey/black smoke | Insufficient combustion. | Increase the air supply. |

WICHTIGE SICHERHEITSHINWEISE:

1. Befolgen Sie beim Anschluss Ihres Kaminofens bzw. Kamins an den Schornstein bzw. das Rauchgasrohr die Installationsanleitung. Wenn Sie von den Anschlussanweisungen abweichen, beachten Sie die Wärmestrahlung vom Rauchgasrohr, die auf die umliegenden Materialien einwirkt.
2. Lesen Sie vor dem Gebrauch sorgfältig die Bedienungsanleitung und befolgen Sie die Anweisungen.
3. Integrierte oder anders hergestellte Konvektionsöffnungen dürfen niemals reduziert oder teilweise überdeckt werden. Dies kann zu einer Überhitzung führen, was wiederum Hausbrände oder schwere Schäden am Produkt verursachen kann.
4. Verwenden Sie nur zulässige Feueranzünder.
Verwenden Sie zum Anzünden niemals Benzin, Diesel oder andere Flüssigkeiten. Dies kann Explosionen verursachen!
5. Verwenden Sie als Brennstoff ausschließlich geschla genes und getrocknetes Naturholz. Briketts, Torf, Koks, Kohle und Bauabfälle erzeugen weitaus höhere Temperaturen und Emissionen als Naturholz. Da Ihr Produkt nur für eine Verwendung mit Naturholz ausgelegt ist, können andere Brennstoffe das Produkt, den Schornstein und die umliegenden Bauten be schädigen.
6. Bei Schäden an Glas oder Türdichtung darf das gesamte Produkt erst wieder verwendet werden, nachdem eine Reparatur ausgeführt wurde.
7. Produkte, die an einen belüfteten Stahlschornstein angeschlossen sind, dürfen nicht mit offener oder angelehnter Tür betrieben werden. Ausnahmen stellen natürlich das Nachladen von Brennstoff oder kurzzeitig während des Anzündens dar.

Eine Nichtbeachtung dieser Vorsichtsmaßnahmen führt zu einem Erlöschen der Garantie und setzt Personen sowie Eigentum Gefahren aus.

Hinweis: Auch wenn dies bei Ihnen nicht erfordert wird, empfiehlt es sich stets, einen qualifizierten Kaminofen-/Kamininstallateur mit der Montage zu beauftragen oder zumindest eine Endabnahme vor der Inbetriebnahme ausführen zu lassen.

INHALTSVERZEICHNIS

| | |
|--|-----------|
| 1. Allgemeine Information zu wärmespeichernden Feuerstellen | 11 |
| Doppeltwirkende Klappe | 11 |
| Ventil für Verbrennungsluft | 11 |
| Reinigung der Rauchkanäle | 11 |
| Asche und Aschenlade | 11 |
| Gewicht | 11 |
| Hitzeschutzwand | 11 |
| Anschluss an den Schornstein | 12 |
| Kleber | 12 |
| Kleinere Beschädigungen | 12 |
| Anstrich | 12 |
| Verputz | 12 |
| Fliesen/Kacheln | 12 |
| Thermotte™ | 12 |
| Risse im Power Stone™ | 12 |
| 2. Garantie | 12 |
| Feuerraumtür und Sichtscheibe | 12 |
| Wiedergewinnung von feuerfestem Glas | 13 |
| Entsorgung des Verpackungsmaterials | 13 |
| Verbrennungsgeschwindigkeit | 13 |
| 3. Tipps zur Befuerung | 13 |
| Befuerungsrhythmus | 13 |
| Aufbewahrung des Holzes | 13 |
| Befeuern | 13 |
| Anzünden eines Feuers | 14 |
| 4. Technische Information | 14 |
| 5. Vor dem Aufbau des Gerätes | 14 |
| Schornsteinzug | 15 |
| Gemeinsam genutztes Rauchgas-system | 15 |
| Zuluft (=mm AIR) | 15 |
| Wichtig! Austrocknungsprozess | 15 |
| Befuerungsrhythmus | 16 |
| 6. Montage | 16 |
| 7. Hilfe bei Problemen mit der Verbrennung | 17 |

1. Allgemeine Information zu wärmespeichernden Feuerstellen

Wärmespeichernde Feuerstellen unterscheiden sich von anderen Feuerstellen durch ihre moderate Wärmeabgabe über einen längeren Zeitraum bei geringer Befeuerung. Normale Geräte geben bei kräftiger Befeuerung viel Wärme ab und haben eine kurze Abkühlzeit.

Die wärmespeichernden Feuerstellen von Nordpeis haben ein langes Kanalsystem, bei dem die in der Brennkammer entwickelte Wärme durch das Kanalsystem geleitet wird, bevor sie den Schornstein erreicht. Die Rauchgastemperatur wird von dem die Rauchkanäle auskleidenden Material absorbiert und bevor der Rauch den Schornstein erreicht. Der Wirkungsgrad einer gut wärmespeichernden Feuerstelle liegt lange über der einer normale Feuerstelle.

Eine wärmespeichernden Feuerstelle kann eine gleichmäßige Temperatur den ganzen Tag über bei nur zwei Befeuerungszyklen halten.

Doppeltwirkende Klappe

Der Kaminofen verfügt über eine doppeltwirkende Klappe, die zwei Funktionen steuert: Bypass- und Schornsteinklappe.

Wird die Klappenstange vollständig herausgezogen, werden die Rauchgase um das Kanalsystem geleitet und treten durch den Schornstein aus. Diese Funktion wird beim Anzünden des Feuers genutzt. Wenn Kaminofen und Schornstein nach 10-30 min die Betriebstemperatur erreicht haben, sollte die Klappenstange halb hineingeschoben werden, bis ein Klickgeräusch zu hören ist. In dieser Stellung ist die Bypassklappe geschlossen und die Rauchgase strömen durch das Kanalsystem des Kaminofens. Hier wird die Wärme der Rauchgase aufgenommen, bevor sie über den Schornstein abgeleitet werden.

Die Bypassklappe sollte ebenfalls vor dem Öffnen der Tür zum Holznachlegen geöffnet und dann wieder geschlossen werden. **WARNUNG: Eine längere Nutzung des Kaminofens mit geöffneter Bypassklappe kann den Schornstein über seine dimensionierte Temperatur überhitzen.**

Durch vollständiges Hineinschieben der Klappenstange werden Bypass- und der Schornsteinklappe geschlossen. Dadurch wird das Kanalsystem vom Schornstein getrennt. So wird verhindert, dass die im Kaminofen angesammelte Wärme durch den Schornstein abgegeben wird. Diese Funktion darf erst verwendet werden, wenn das Feuer erloschen ist und nur noch wenig Glut im Kaminofen liegt. **WARNUNG: Durch ein zu frühes Schließen der Schornsteinklappe können Rauchgase in den Raum gelangen und eine Kohlenmonoxidvergiftung verursachen.**

Ventil für Verbrennungsluft

Es ist üblich, wärmespeichernde Feuerstellen bei voll geöffnetem Ventil für Verbrennungsluft zu befeuern.

Das bewirkt eine optimale Verbrennung und verhindert weitgehend Rußablagerungen im Kanalsystem. Intensives Befeuern hält auch leichter die Sichtscheibe rein. Wünscht man trotzdem eine längere Brennperiode und ein ruhigeres Flammenbild, kann man die Luftzufuhr mit dem Lüftungsventil drosseln. Das Modell Salzburg hat eine Nachbrenntechnologie, die man nur bei modernen Geräten findet, die auf dem neusten Stand der Technik sind. Das bewirkt eine reine Verbrennung und einen guten Wirkungsgrad auch bei einer eventuellen Unterbeanspruchung.

Reinigung der Rauchkanäle

Bei täglichem Gebrauch der Feuerstelle während der Saison empfehlen wir, dass Sie ihr Kanalsystem einmal im Jahr reinigen, um den Zug und den Wirkungsgrad zu optimieren. Verrußte Kanäle verengen und senken dadurch den Wirkungsgrad. Der Zug wird schlechter und es wird schwierig, das Flammenbild mit dem Ventil für Verbrennungsluft zu steuern.

Die Kanäle lassen sich am einfachsten mit einer Reinigungsfeder kehren, die so flexibel wie möglich ist (Stahl, Ø 4-5 mm, ca. 200 cm Länge). Außerdem sollte eine zugehörige Bürste (Ø 50-80 mm) verwendet werden. Diese wird dann auf jeder Seite nach unten durch die Öffnung geführt, wo sich der Aschekasten im Kanalsystem befindet. Der Kanal muss über seine gesamte Tiefe gekehrt werden. Herabfallender Ruß, der unter dem Aschekasten landet, kann mit einem Staubsauger entfernt werden.

Beachten Sie, dass die Feuerstelle vor der Reinigung oder Inspektion stets abgekühlt sein muß.

Die Inspektion muss von professionellen Servicetechnikern ausgeführt werden.

Asche und Aschenlade

Die Aschenlade besteht aus einem inneren Teil, der regelmäßig zur Entleerung verwendet wird. Wenn der äußere Teil auch entfernt wird, hat man einen Zugang zum Kanalsystem. Bei Anschluß „hinten“ oder „seitlich“ kann das Rauchrohr durch Entfernung der Rauchwendeplatte und durch Öffnen der Befeuerungsklappe gereinigt werden.

Die Asche muß regelmäßig entfernt werden. Beachten Sie, dass die Asche auch mehrere Tage nach dem letzten Befeuern Glut enthalten kann. Benützen Sie ein feuerfestes Gefäß, um die Asche zu entfernen.

Gewicht

Der Hausbesitzer muß sich vergewissern, daß sein Boden die Belastung des Gesamtgewichts der Feuerstelle aushält.

Hitzeschutzwand

Freistehende Feuerstellen können ohne Hitzeschutzwand aufgestellt werden. Beachten Sie alle angegebenen Sicherheitsabstände zu brennbaren Gegenständen.

Anschluss an den Schornstein

Folgen Sie den Anweisungen des Herstellers. Stellen Sie Ihr Produkt lose auf und markieren Sie genau die Höhe und Position des Anschlusses an den Schornstein.

Höchstgewicht eines Schornsteins aus Stahlelementen bei Anschluß „oben“: 300 kg

Dieses Gerät kann nicht an einen Schornstein aus Beton mit Anschluß „oben“ angeschlossen werden. Bei Anschluß „oben“ an einen Schornstein aus Stahlelementen halten Sie sich an die Montageanleitung des Herstellers.

Anforderungen an die Bodenplatte bei brennbarem Bodenbelag

Folgen Sie den landesabhängigen Regeln gemäß der Anforderungen an eine Bodenplatte (Stein, Stahl, usw)

Kleber

Die Außenelemente werden mit dem beiliegenden Akrylkleber geklebt. Die Klebeflächen müssen frei von Staub sein. Für bessere Haftung können die Oberflächen feucht abgewischt werden, sie müssen aber ganz trocken sein, bevor der Kleber aufgetragen wird.

Nachdem Ihr Gerät fertig aufgestellt ist, füllen Sie die Fugen zwischen den Elementen mit Akrylkleber. Glätten Sie danach die Oberfläche mit einer eingeseiften Fingerspitze oder Schwamm, und ermöglichen Sie, dass trotz der Glättung eine deutliche Markierung in der Verbindung zwischen den Elementen sichtbar bleibt. (FIG Z)

Kleinere Beschädigungen

Durch Transport und Aufbau kann es zu kleinen Schäden am Produkt kommen. Diese können mit dem mitgelieferten Kleber ausgebessert werden. Für ein optimales Resultat können Sie über den Kleber mit einer geeigneten Spachtelmasse verspachteln und nachschleifen. Kleine Unebenheiten werden verspachtelt. Wenn die Beschädigung tiefer ist, empfehlen wir diese in zwei Durchgängen zu verspachteln, um neue Senkungsrisse zu vermeiden. Nachfolgend glätten Sie die Oberfläche mit einem feuchten Schwamm oder Sandpapier.

Anstrich

Es ist vorgesehen, die Oberfläche ohne vorherige Grundarbeit anzustreichen. Verwenden Sie eine mineralische Farbe oder eine Strukturfarbe auf Zementbasis. Falls die Oberfläche widererwarteten Unebenheiten aufweist, können Sie diese mit einer leichten Spachtelmasse oder dem mitgelieferten Akryl ausbessern.

Verputz

Wenn Ihnen eine traditionell verputzte Oberfläche besser gefällt, befeuchten Sie die Verkleidung und bedecken Sie sie ganz mit Fliesenleim und einem Glasfibernetz, bevor Sie Mörtel -oder Mineralverputz auftragen.

Fliesen/Kacheln

Der Ofen kann auch teilweise oder ganz mit Fliesen, Kacheln oder Naturstein Ihrer Wahl verkleidet werden. Um eine gute Haftung zu gewährleisten und um Risse zwischen den Verkleidungsteilen zu verhindern, empfehlen wir - wie bei Mörtelverputz - dass die Oberfläche befeuchtet wird, bevor sie mit Fliesenleim und Glasfibernetz überzogen wird.

Beachten Sie, dass Kleber und Mörtel gehärtet sein müssen, bevor Sie den Ofen das erste Mal befeuern. Befolgen Sie die Anweisungen des Kleber/Mörtelproduzenten. Unabhängig von der Oberflächenverkleidung ist es ratsam, den ganzen Rahmen der Feuerraumtür abzuleben, um sich eine spätere Reinigung zu ersparen. Beachten Sie, dass der Luftspalt zwischen Verkleidung und Rahmen der Feuerraumtür nicht mit Kleber, Mörtel oder Ähnlichem verstopft wird.

Thermotte®

Die Isolierplatten (Thermotte) sind als Verschleißteile eingestuft und müssen deshalb nach einigen Jahren ausgetauscht werden. Die Verschleißzeit hängt von der individuellen Nutzung Ihres Produktes ab. Nordpeis gibt auf diese Teile 1 Jahr Garantie. Danach können Ersatzteile gekauft werden.

Beachten Sie, dass zu lange Holzscheite Spannungsdruck auf die Platten ausüben und diese beschädigen oder brechen können.

Risse im Power Stone

Thermische Einwirkungen können kleine Risse im Power Stone verursachen. Das ist natürlich und beeinträchtigt weder Qualität noch Funktion oder Sicherheit des Produktes.

2. Garantie

Ausführliche Information über Garantieregelungen entnehmen Sie bitte der beiliegenden Garantiekarte oder unserer Internetseite www.nordpeis.de

Warnung! Verwenden Sie ausschließlich vom Hersteller empfohlene Ersatzteile.

Warnung! Unbefugte Modifikationen am Gerät ohne schriftliche Genehmigung des Herstellers sind verboten.

Feuerraumtür und Sichtscheibe

Wenn die Sichtscheibe rußig ist, dürfen keine abschürfenden Reinigungsmittel verwendet werden. Verwenden Sie daher ein passendes Glasreinigungsmittel und vermeiden Sie, daß das Mittel mit dem Lack in Berührung kommt. Reinigungsmittel schaden dem Lack, falsche Reinigungsmittel schaden dem Glas! Ein guter Tipp ist, mit einem feuchten Lappen oder Küchenpapier etwas Asche aus der Brennkammer aufzunehmen und damit die Glasscheibe abzureiben.

Dann mit einem frischen, feuchten Küchenpapier nachputzen.

Merke: Niemals im warmen Zustand das Glas reinigen!

In regelmäßigen Abständen sollten die Dichtungen ausgetauscht werden, damit Ihr Gerät gut dicht ist und optimal funktioniert.

**FEUERFESTES GLAS
KANN NICHT
WIEDERGEGWONNEN
WERDEN**

**Feuerfestes Glas muss
als Restmüll, gemeinsam
mit Keramik und Porzellan
entsorgt werden**



Wiedergewinnung von feuerfestem Glas

Feuerfestes Glas kann nicht wiedergewonnen werden! Bruchglas und nicht wiederverwendbares, hitzebeständiges Glas muss als Restmüll entsorgt werden. Feuerfestes Glas hat eine höhere Schmelztemperatur und kann daher nicht mit dem Altglas entsorgt werden. Bei gemeinsamer Entsorgung mit Altglas würde es die Wiedergewinnung des Rohmaterials aus dem Altglas zerstören. Es stellt einen wichtigen Beitrag zur Umwelt dar, feuerfestes Glas nicht mit dem Altglas zu entsorgen, sondern als Sondermüll an Ihrer Entsorgungsstelle.

Entsorgung des Verpackungsmaterials

Die Produktverpackung soll vorschriftsmässig (länderspezifisch) entsorgt werden.

Verbrennungsgeschwindigkeit

Ein wärmespeicherndes Gerät soll nicht durch übertriebenes Befeuern überbeansprucht werden, das könnte in Extremfällen das Produkt beschädigen. Um das Gerät maximal zu nutzen, ist es wichtig, einen optimalen Befeuerungsrythmus zu haben und die Größe der Holzscheite und Menge anzupassen. Informieren Sie sich über die richtigen Befeuerungsintervalle Ihres Gerätes und welche Holzscheite für Ihr Gerät die Richtigen sind.

3. Tipps zur Befeuerung

Befeuerungsrythmus

Zum Anfeuern verwendet man am Besten Anzündwürfel und Schnittholz. Zeitungspapier macht viel Asche und außerdem ist Druckerschwärze schädlich für die Umwelt. Auch Flugblätter, Zeitschriften und alte Milchkartons sollen nicht im Kamin verbrannt werden. Beim Befeuern ist eine gute Luftzufuhr wichtig. Wenn der Schornstein erwärmt ist, herrscht besserer Zug und Sie können die Feuerraumtür schließen.

Warnung! Um Verletzungen zu vermeiden, beachten Sie, dass die Oberfläche beim Betrieb heiß werden kann. Daher ist besondere Vorsicht geboten, damit keine Hautverbrennungen verursacht werden.

Achtung! Verwenden Sie nie flüssige Brennstoffe wie Petroleum, Paraffin oder Spiritus zum Befeuern. Sie können sich verletzen und Ihrem Gerät schaden.

Es ist wichtig, immer reines, trockenes Holz zu verwenden; maximaler Feuchtigkeitsgehalt 20%; minimaler Feuchtigkeitsgehalt 16%. Feuchtes Holz braucht viel Luft - also extra Energie und Wärme - zur Verbrennung; der Wärmeeffekt ist stark verringert; es verrußt den Schornstein und es kann sogar zum Schornsteinbrand kommen.

Warnung! Schließen Sie bei einem Schornsteinbrand die Tür sowie die Luftzufuhr der Kaminanlage bzw. Einsatz. Rufen Sie die Feuerwehr. Nach einem Schornsteinbrand muss der Schornstein in jedem Fall von einem zugelassenen Schornsteinfeger inspiziert werden, bevor das Produkt wieder verwendet werden darf.

Aufbewahrung des Holzes

Um trockenes Holz zu garantieren, soll der Baum im Winter gefällt werden und im Sommer zum Trocknen geschnitten, unter einem Dach, bei guter Ventilation aufbewahrt werden. Das Holz soll nicht mit einer Plastikplane abgedeckt sein, die bis zum Boden reicht, da dies wie eine Isolierung wirkt und das Holz nicht trocknen läßt. Lagern Sie immer ein paar Tage vor der Benutzung kleinere Mengen von Holz drinnen, damit die Feuchtigkeit an der Oberfläche des Holzes verdampfen kann.

Befeuern

Wenn zu wenig Verbrennungsluft zugeführt wird, kann das Glas verrußen. Deshalb ist es wichtig, gleich nach dem Beladen Luft zuzuführen; das schafft kräftige Flammen in der Brennkammer und es verbrennen auch die Gase.

Öffnen Sie das Sekundärluftventil / Regler für die Verbrennungsluft und lehnen Sie die Feuerraumtür nur leicht an, so daß die Flammen gut greifen können. Beachten Sie, daß eine zu hohe Luftzufuhr bei geschlossener Feuerraumtür Ihr Gerät auf extreme Temperaturen aufheizen kann und ein unkontrollierbares Feuer hervorruft. Deshalb sollen Sie nie die Brennkammer ganz mit Holz anfüllen.

Das Ziel ist ein gleichmäßiges Feuer bei geringer Holzmenge. Wenn Sie zu viele Holzscheite in die Glut legen, kann die zugeführte Luft nicht genügend erwärmt werden und die Gase entweichen unverbrannt durch den Schornstein.

Warnung! Die Brennkammer muss außer beim Feuermachen, Nachlegen und Entleeren der Asche stets geschlossen sein.

Anzünden eines Feuers

Anzündholz

Fein gehackt (3-5 cm Durchmesser)

Länge: 25-30 cm

Ungef. Menge pro Anzündvorgang: 3 kg

Bringen Sie die Luftklappenregelung in die Zündungsposition – ganz rechts. Stellen Sie die Klappe in den Bypass-Modus, indem Sie den Hebel herausziehen.

Legen Sie kleine trockene Holzscheite ein und entzünden Sie diese. Stellen Sie vor dem Schließen der Tür sicher, dass die Scheite ordnungsgemäß brennen. Wenn die Flammen stabil brennen und der Schornstein warm ist, bewegen Sie den Luftregler nach links aus der Zündungsposition. Bei einem Klicken wurde die Zündluftzufuhr unterbrochen.

Nach 15-20 min Anheizen stellen Sie die Klappe in den normalen Betriebsmodus. Rauch beginnt in den Kanälen zu zirkulieren. Die entstehende Wärme gelangt zum Power Stone-Kern und wird dort gespeichert.

Hat sich ein glühendes Aschebett gebildet, können Sie neue Holzscheite nachlegen. Bewegen Sie vor dem Nachlegen die heiße Glut in den vorderen Bereich der Brennkammer, damit sich das neue Holz besser entzündet. Legen Sie die erste Schicht mit Holzscheiten im rechten Winkel zur Front ein. Das Feuer sollte mit hellen und kräftigen Flammen lodern.

Nachlegegröße

Holzscheite (Durchmesser 6-9 cm)

Länge: 25-30 cm

Normale Einlegegröße. 3,75 kg/h

(Max. Einlegegröße: 3,75 kg/h)

Wenn das Feuer ausgegangen ist, schließen Sie die Rauchklappe, um möglichst viel Wärme im Inneren zu speichern.

Ihr Nordpeis-Gerät ist nur für Verbrennung von Schnittholz konstruiert und zugelassen. Überhitzen Sie niemals Ihr Gerät; es können irreparable Schäden verursacht werden, die von der Garantie nicht gedeckt werden.

Achtung!

Es ist verboten, imprägniertes oder lackiertes Holz, Plastik, Furnier, Spanplatten, Milchkartons und jede Art von Abfall in Ihrem Gerät zu verbrennen. Diese Materialien entfachen bei der Verbrennung giftige, ätzende Gase wie Dioxin, die Ihnen, der Umwelt und Ihrem Gerät schaden.

Zur eigenen Sicherheit befolgen Sie die Montageanleitung.

Alle Sicherheitsabstände sind Mindestabstände. Jede Installation einer Feuerstelle muß den landesgemäßen Vorschriften und Regeln entsprechen.

Nordpeis haftet nicht für unsachgemäße Montage oder Installation.

4. Technische information Salzburg C

| | |
|---|--|
| Mindestabstände zu brennbaren Bauteilen | Von hinten 50 mm Seitlich 50 mm Decke 550 mm |
| CO-Gehalt bei 13% O ₂ | <1500 mg/m ³ |
| Rauchgastemperatur | 140 °C |
| Wärmeleistung | 54,5 kWh 196 056 kJ |
| Speicherkapazität | 100% nach 4,8 stunde 50% nach 11,7 stunde 25% nach 20,1 stunde |
| Wirkungsgrad | 84 % |
| Nennwärmeleistung während der Wärmeabgabe(100%-25%) | 3,6 kW |
| Öffnung des Verbrennungsluftreglers (%) | +/- 100% |
| Abgassmassenstrom bezogen auf NWL | 21,2 (g/s) |
| Abgastemperatur gemessen im Abgasstutzen | 168 °C |
| Förderdruck | 12 Pa |
| Länge der Holzscheite | 350 mm |
| Produktgewicht | 936 kg |
| Empfohlene Holzmenge beim Befeuern/Nachlegen | 3 kg |
| Maximales Nachlegen pro Befeuereungszyklus | 5x im Abstand von je 1 Stunde |
| Befeuereungszyklus pro Tag | 1 |

5. Vor dem Aufbau des Gerätes

Alle unsere Geräte sind geprüft und entsprechen den neuesten europäischen Sicherheitsvorschriften. Vor der Installation Ihres Gerätes beachten Sie bitte alle geltenden Bestimmungen. *1/ siehe Punkt 9 / Grundsätzliche Anforderungen. Nordpeis ist nicht für widerrechtliche oder inkorrekte Installation Ihres Gerätes verantwortlich.

Bitte prüfen Sie:

- Abstand zwischen Brennkammer und brennbarer Umgebung
- Anforderungen an das Isoliermaterial zwischen Verkleidung und Hinterwand
- Größe der Bodenplatte vor dem Gerät, falls Sie eine brauchen
- Rauchrohranschluß zwischen Brennkammer und Schornstein
- Anforderungen an das Isoliermaterial, falls das Rauchrohr durch eine brennbare Wand geht
- Für eine Reinigung des Geräts muss ein Zugang zum Rauchgasanschluss des Schornsteins gewährleistet sein.

Schornsteinzug

Der Schornstein ist ein wichtiger Faktor für die volle Nutzung einer Feuerstätte. Selbst das beste Gerät wird schlecht funktionieren, wenn der Schornstein falsch dimensioniert oder nicht in einwandfreiem Zustand ist. Der Schornsteinzug ist in erster Linie von der Höhe und dem inneren Durchmesser des Schornsteins abhängig, sowie von der Rauchgas- und Außentemperatur. Der Durchmesser des Schornsteins darf nie geringer als der Durchmesser des Rauchrohres sein.

Mindestförderdruck bei Nennleistung 12 Pa.

Der Zug (Förderdruck) wird stärker, wenn

- der Schornstein wärmer ist als die Außenluft
- bei längerem Schornstein
- gute Luftzufuhr bei der Verbrennung gewährt leistet ist

Wenn der Durchmesser des Schornsteins im Vergleich zur Feuerstätte zu groß ist, ist es schwierig guten Zug zu erzielen, da sich der Schornstein nicht genügend erwärmt. In diesem Fall holen Sie bitte den Rat des Fachmanns ein, der Sie sicher berät. Bei zu starkem Zug hilft ein Zugreduzierer. Falls notwendig, kontaktieren Sie einen Schornsteinfeger.

Hinweis! Ungünstige Zugverhältnisse oder widrige Witterungsbedingungen, z.B. Nebel, Wind usw., können den Rauchgaszug beeinträchtigen, der für das Befeuern erforderlich ist. Diese Bedingungen sollten vor dem Anzünden des Kamins überprüft werden. Liegt der erforderliche Rauchgaszug im Schornstein nicht vor, sollte der Kamin nicht genutzt werden.

Gemeinsam genutztes Rauchgassystem

Das Gerät kann mit einem gemeinsam genutzten Rauchgasrohrsystem verbunden werden. Bei einem gleichzeitigen Betrieb mit anderen Heizgeräten muss eine ausreichende Verbrennungsluftmenge zugeführt werden.

Warnung! Wenn das Gerät mit einem gemeinsam genutzten Rauchgassystem verbunden ist, muss das selbstschließende Türsystem funktionsfähig sein.

Zuluft (=mm AIR)

Ein Frischluftzufuhrset ist als Zubehör erhältlich. Damit wird sichergestellt, dass die Luftzufuhr zur Brennkammer weniger von Lüftungssystemen, Küchenventilatoren und anderen Faktoren beeinflusst wird, die einen Abwärtszug im Raum verursachen können. Bei allen Neubauten empfehlen wir nachdrücklich, dass das Produkt für eine Direktzufuhr von Außenluft entwickelt und vorbereitet wird. In älteren Gebäuden wird darüber hinaus die Nutzung des Frischluftzufuhrsets empfohlen. Eine unzureichende Luftzufuhr kann einen zu geringen Zug und damit einen zu niedrigen Verbrennungswirkungsgrad verursachen, was folgende Probleme nach sich zieht: Rußflecken

auf dem Glas, ineffiziente Holzverbrennung und Rußablagerungen im Schornstein.

Warnung! Lufteinlässe, durch die Verbrennungsluft strömt, dürfen nicht blockiert werden.

Warnung! Aktive Abluftventilatoren im selben Raum oder Bereich wie das Gerät können Probleme verursachen.

Maßzeichnungen (FIG 1)

*Die Abbildung zeigt die Mitte der ungefähren Höhe in der vorgesehenen Öffnung für das Rauchrohr. Wenn Sie das Loch in den Schornstein bohren, denken Sie an einen eventuellen Anstieg des Rauchrohrs. Schiefe Böden oder Wände beeinflussen die Abmessungen. Stellen Sie daher die Verkleidung lose auf und zeichnen Sie die genaue Position für die Einführung des Rauchrohrs an. Markieren Sie auch gleich ein Loch im Boden, wenn Sie ein Zuluftkit (Frischluftzufuhr von außen als Zubehör) anschließen möchten.

Achtung! Da der innere Kern der Power-Stone Elemente aus mehreren Schichten besteht, kann der Anschluß, je nach Installation, um einige Zentimeter variieren

Sicherheitsabstände (FIG 2)

Die angegebenen Sicherheitsabstände müssen eingehalten werden.

Bei einer Montage in Verbindung mit hochwärmegedämmte Wänden addieren Sie bitte 50mm zu allen angegebenen Sicherheitsabständen.

Wichtig!! Austrocknungsprozess

Die neue Feuerstelle enthält viel Feuchtigkeit die entlassen werden muß, bevor Sie dem angegebenen Befeuerungsrythmus folgen können.

Folgen Sie diesem Schema:

1. Öffnen Sie das Ventil für Verbrennungsluft an der Feuerraumtür ganz
2. Stellen Sie sicher, dass die Klappe in der Zündungsposition ist.
3. Machen Sie mit 1-2 kg Anmachholz ein kleines Feuer.
4. Stellen Sie die Klappe in Betriebsposition, sobald die Flammen das Holz ausreichend erfasst haben, dies stellt sicher, dass der heiße Rauch in den Luftkanälen zirkuliert.

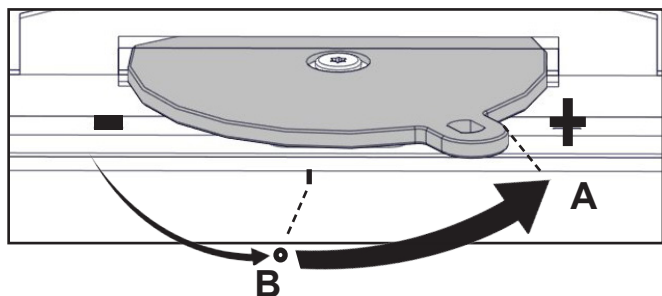
Achtung! Belassen Sie den Luftregler und die Klappe offen, bis das Feuer ausgebrannt ist.

Machen Sie einen Tag Pause und dann wiederholen Sie diese Prozedur zweimal, immer mit einem Tag Pause dazwischen.

Achtung! Befolgen Sie diese Anweisungen, da andernfalls Elemente in der Feuerstelle beschädigt werden können. Der Regler besitzt zwei Arbeitspositionen.

A. Wenn Sie den Regler maximal nach rechts drehen, befindet er sich in der Zündungsposition.

B. Wenn Sie den Regler nach links drehen, wird die Zündluftzufuhr verringert. Bei einem Klicken wurde die Zündluftzufuhr unterbrochen und es wird die maximale Menge an Sekundärluft zugeführt. Durch weiteres Drehen wird die Sekundärluftmenge reduziert.



Befeuerrhythmus

Eine wärmespeichernde Feuerstelle ist konzipiert, um in relativ kurzer Zeit intensiven Befeuerns die gesammelte Wärme über einen verlängerten Zeitraum abzugeben.

Wenn Sie das berechnete Befeuermuster überschreiten, erhöhen Sie die Oberflächentemperatur, die Temperatur zu brennbaren Wänden und es kann sich der Anstrich verfärben.

Um die richtige Größe der Holzzscheite und den korrekten Befeuerrhythmus für Ihr Produkt zu finden, halten Sie sich bitte an die Angaben in der Tabelle.

Wenn die letzte Beladung in die Glutphase übergegangen ist und nur noch wenig Glut vorhanden ist, werden Luftregler und Klappe geschlossen, um zu verhindern, dass Hitze durch den Schornstein entweicht.

Achten Sie darauf, die Klappe zu öffnen, bevor Sie ein Feuer im Kamin entzünden.

Die Zündungsposition sollte nur genutzt werden, wenn es nötig ist und nur für kurze Zeit (10-15 Minuten), wenn das Feuer entzündet wird, und bei Neubeladung, damit Rauch und Asche nicht ins Zimmer gelangen. Anhaltendes Verbrennen in der Zündungsposition kann dazu führen, dass die erlaubte Maximaltemperatur des Schornsteins überschritten wird.

Durch die langen Rauchgaskanäle wird die Feuerstelle unregelmäßig erwärmt. Nach dem Anheizen wird die Kaminfront vor dem Heizeinsatz und eine Seite zuerst warm. Nach ein paar Stunden Beheizung und nachdem alle Kanäle aufgewärmt sind, verteilt sich die Wärme.

6. Montage

Bitte beachten Sie: um die optimale Funktion des Produktes zu gewährleisten, ist es unumgänglich, die Montageanleitung gründlich zu lesen und diese zu befolgen.

Hilfe bei Problemen mit der Verbrennung

| FEHLER | ERKLÄRUNG | BEHEBUNG |
|--|--|--|
| Zu wenig Zug | Rauchrohr verstopft. | Schornsteinfeger/Fachhändler kontaktieren oder Rauchrohr und Brennkammer reinigen. |
| | Rauchrohr verrußt oder Rußverstopfung an der Rauchgasprallplatte. | |
| | Rauchgasprallplatte falsch angebracht. | Kontrollieren Sie die Position der Rauchgasprallplatte. Siehe Montageanleitung. |
| Das Gerät gibt beim Befeuern und während der Verbrennung Rauch ab | Unterdruck im Raum. Zu wenig Zug. Das Haus ist zu „dicht“. | Öffnen Sie während der Befeuerung ein Fenster. Wenn dies hilft, müssen Sie weitere oder größere Lüftungsventile in den Außenwänden installieren. |
| | Lüftungsanlagen, die dem Raum zu viel Luft entziehen, verursachen Unterdruck. | Dunstabzugshauben, die zusammen mit Feuerstätten im selben Raum oder Raumverbund installiert sind, können die Funktion der Feuerstätte beeinträchtigen und dürfen nicht gleichzeitig mit der Feuerstätte betrieben werden. |
| | Rauchrohre von zwei Feuerstätten sind auf der gleichen Höhe an einem Schornstein angeschlossen. | Ein Rauchrohr muss verlegt werden. Die Differenz zwischen den beiden Rauchrohren soll mindestens 30 cm betragen. |
| | Das Rauchrohr fällt vom Rauchgassammler zum Schornstein ab. | Das Rauchrohr muss in eine aufsteigende Position gebracht werden, indem der Winkel zwischen Rauchgassammler und Schornstein mindestens 10 Grad beträgt. Eventuell Abgasventilator installieren. |
| | Das Rauchrohr ragt zu weit in den Schornstein hinein. | Rauchrohr ummontieren. Rauchrohr darf nicht in den Schornstein hineinragen, sondern muss 5 mm vor der Innenwand des Schornsteins enden. Eventuell Abgasventilator installieren. |
| | Die Rußluke im Keller oder am Dachboden ist offen und verursacht falschen Zug. | Rußluke muss immer geschlossen sein. Undichte oder kaputte Rußluken müssen ausgetauscht werden. |
| | Ofenklappe, Ventile oder Einsatztüren von Feuerstätten, die nicht in Betrieb sind, stehen offen und verursachen falsche Druckverhältnisse. | Ofenklappe, Feuerraumtür und Regler von Feuerstätten, die nicht in Betrieb sind, schließen. |
| | Offenes Loch im Schornstein von einer Feuerstätte, die entfernt wurde, schafft falsche Druckverhältnisse. | Loch muss geschlossen werden. |
| | Kaputtes Mauerwerk oder beschädigte Trennwand im Schornstein oder undichter Rauchrohranschluss verursachen falsche Druckverhältnisse. | Alle Öffnungen und Risse abdichten oder verputzen. |
| | Zu großer Durchmesser des Schornsteins verursacht keinen oder zu wenig Zug. | Schornstein innen ausfüttern, eventuell Abgasventilator installieren. |
| | Zu geringer Durchmesser des Schornsteins behindert das Entweichen der Abgase. | Kleinere Feuerstätte installieren oder neuen Schornstein mit erweitertem Durchmesser bauen. Eventuell Abgasventilator installieren. |
| | Zu niedriger Schornstein verursacht schlechten Zug. | Schornstein verlängern. |
| Der Kamineinsatz raucht, wenn es draussen windig ist | Der Schornstein ist zu niedrig im Verhältnis zu dem ihn umgebenden Milieu, Bäume, Häuser etc. | Schornstein verlängern. Kaminhut anbringen oder Abgasventilator installieren. |
| | Windturbulenz um den Schornstein wegen zu flachem Dach. | Schornstein verlängern oder Kaminhut anbringen. |
| Der Kamin heizt nicht gut genug | Zu starker Kaminzug oder Undichte im unteren Teil der Feuerstätte, daher zu viel Sauerstoff bei der Verbrennung. Schwierigkeiten bei der Regulierung der Verbrennung, Holz verbrennt zu schnell. | Jegliche Undichte abdichten. Der Kaminzug kann mit Hilfe eines Zugreduzierers oder einer Ofenklappe reduziert werden. Merke: eine Undichte von nur 5 cm ² verursacht 30% Verlust von Warmluft. |
| Zu starker Kaminzug | Rauchgasprallplatte falsch angebracht. | Montage der Rauchgasprallplatte kontrollieren. |
| | Bei Gebrauch von ofengetrocknetem Holz weniger Luftzufuhr nötig. | Luftzufuhr verringern. |
| | Türdichtungen abgenutzt. | Wenden Sie sich an Ihren Fachhändler, um die Dichtungen auszutauschen. |
| | Zu großer Schornstein. | Schornsteinfeger/Fachhändler kontaktieren. |

Hilfe bei Problemen mit der Verbrennung

| FEHLER | ERKLÄRUNG | BEHEBUNG |
|---|--|---|
| Glasscheibe verrusst | Feuchtes Holz. | Nur trockenes Holz mit höchstens 20% Feuchtigkeit verwenden. |
| | Sekundärluftventil/Regler für die Verbrennungsluft zu weit geschlossen. | Sekundärluftventil/Regler für die Verbrennungsluft für bessere Luftzufuhr mehr öffnen. Beim Nachlegen soll das Ventil immer voll geöffnet sein oder die Feuerraumtür nur angelehnt sein, um die Flammen gut zu entfachen. |
| Weiss verschmutztes Glas | Schlechte Verbrennung (zu niedrige Temperatur im Ofen). | Anweisungen für richtiges Befeuern in der Montageanleitung lesen. |
| | Falsches Befeuern (mit Abfallholz, lackiertem oder imprägniertem Holz, Plastik, sonstigem Abfall). | Ausschließlich trockenes, reines Spaltholz verwenden. |
| Bei Öffnen der Feuerraumtür dringt Rauch in den Raum | Es entsteht Druckausgleich in der Brennkammer. | Sekundärluftventil ca. 1min vor Öffnen der Feuerraumtür schließen; Feuerraumtür nicht rasch öffnen. |
| | Feuerraumtür wird während Flammenbildung geöffnet. | Feuerraumtür ganz vorsichtig oder nur bei Glut öffnen. |
| Weisser Rauch | Verbrennungstemperatur zu niedrig. | Luftzufuhr erhöhen. |
| | Das Holz ist zu feucht und hält Wasserdampf. | Ausschließlich reines, trockenes Spaltholz verwenden. |
| Schwarzer oder grauschwarzer Rauch | Unvollständige Verbrennung. | Luftzufuhr erhöhen. |

CONSIGNES DE SÉCURITÉ IMPORTANTES: INDEX

1. Veuillez suivre les instructions d'utilisation du manuel lorsque vous raccordez votre poêle/foyer à la cheminée/au conduit. Si le raccordement se fait différemment des instructions, veuillez tenir compte du rayonnement thermique du conduit de fumée par rapport aux matériaux environnants.
2. Avant toute utilisation, veuillez lire attentivement le mode d'emploi et suivre les instructions.
3. Les ouvertures de convection intégrées ou désignées ne doivent jamais être totalement ou partiellement obstruées. Cela peut conduire à une surchauffe, ce qui peut à son tour provoquer un incendie dans la maison ou des dommages graves au produit.
4. Utiliser uniquement des allume-feux prévus à cet effet. **Ne jamais utiliser d'essence, de diesel ou d'autres liquides pour démarrer le feu. Cela peut provoquer des explosions !**
5. N'utilisez jamais d'autres combustibles que le bois naturel sec, sous forme de bûches. Les briquettes, la tourbe, le coke, le charbon et les déchets des matériaux de construction développent des températures et des émissions beaucoup plus élevées que le bois naturel. Étant donné que votre produit a été conçu pour être utilisé uniquement avec du bois naturel, d'autres carburants peuvent endommager le produit, la cheminée et les constructions environnantes.
6. En cas de dommages de la vitre ou du joint d'étanchéité de la porte, toute utilisation du produit doit être interrompue jusqu'à ce que le dommage soit réparé.
7. Les produits raccordés avec un conduit double flux ne doivent jamais fonctionner avec une porte ouverte ou entrouverte autre que le rechargement du bois ou brièvement pendant le processus d'allumage.

Le non-respect de ces précautions entraînera la perte de votre garantie et exposera les personnes et les biens à un danger.

Conseil : Même si cela n'est pas exigé dans votre pays, il est toujours conseillé de s'adresser à un installateur de poêle/de foyer agréé pour le montage, ou au moins pour l'inspection finale avant utilisation.

| | |
|---|-----------|
| 1. Les poêles à accumulation | 20 |
| Double système de registres des circulations des fumées | 20 |
| Clapet d'évacuation des fumées. | 20 |
| Commande d'apport d'air | 20 |
| Nettoyage du système de conduit d'air chaud | 20 |
| Cendre et Cendrier | 20 |
| Poids | 21 |
| Mur Pare-feu | 21 |
| Raccordement à la cheminée | 21 |
| Exigences pour les plaques de sol en cas de sol combustible | 21 |
| Colle | 21 |
| Petits Eclats | 21 |
| Peinture | 21 |
| Polissage | 21 |
| Faïences | 21 |
| Thermotte™ | 21 |
| Fissures dans le PowerStone | 21 |
| 2. Garantie | 22 |
| Porte et verre | 22 |
| Recyclage du verre réfractaire | 22 |
| Recyclage de l'emballage | 22 |
| Allure de combustion | 22 |
| 3. Conseils pour allumer un feu | 22 |
| Entreposage du bois | 22 |
| Conseils généraux pour le feu | 23 |
| Allumage d'un feu | 23 |
| Choix de combustible | 23 |
| 4. Informations Techniques Salzburg M | 24 |
| 5. Avant d'assembler le poêle | 24 |
| Le tirage de cheminée | 24 |
| Système de conduits de fumée commun | 24 |
| L'apport d'air (=mm AIR) | 24 |
| Attention! Procédure de séchage | 25 |
| Rythme de combustion | 25 |
| 6. Assemblage | 25 |
| Conseils en cas de problèmes de combustion | 26 |
| 7. Combustion | 26 |

Salzburg C

Les poêles à accumulation de chaleur se différencient des autres poêles et cheminées car ils sont destinés à fournir une chaleur modérée pendant des périodes prolongées avec un temps limité de combustion. Les poêles traditionnels dégagent une forte chaleur pendant la période de combustion mais ils ont une période très courte de refroidissement.

Avec les poêles à accumulation de chaleur Nordpeis, la chaleur produite dans la chambre de combustion passe par un long conduit avant de ressortir par la cheminée. La chaleur de la fumée est absorbée par le matériau autour des conduits de fumée, et au moment où la fumée sort par la cheminée.

Un poêle à accumulation de chaleur bien conçu est donc beaucoup plus efficace qu'un poêle/cheminée traditionnel.

Un poêle à accumulation de chaleur peut garder une température constante pendant toute la journée avec seulement deux cycles de chauffage.

Double système de registres des circulations des fumées

Le poêle est équipé d'un double système de registres qui contrôle deux fonctions : le contournement et le tirage de cheminée.

Lorsque la commande du clapet est tirée complètement les gaz de fumée contournent le système de conduits et sortent par la cheminée. Cette fonction est utilisée lors de l'allumage du feu. Lorsque le poêle et la cheminée ont atteint leur température de fonctionnement après 10 à 30 minutes, repoussez la commande du clapet à mi-chemin jusqu'à ce qu'un « clic » retentisse. Dans cette position, le clapet de dérivation (bypass) est fermé et les gaz de fumée sont dirigés à travers le système de conduits du poêle qui accumulent la chaleur des gaz de fumée avant d'être évacués par la cheminée.

Le clapet de dérivation (bypass) doit également être ouvert avant d'ouvrir la porte pour ajouter du bois, puis fermé de nouveau. **AVERTISSEMENT : L'utilisation du poêle pendant des périodes prolongées avec le clapet de dérivation (bypass) ouvert peut exposer la cheminée à des températures plus élevées que celles prescrites.**

En rentrant complètement la commande du clapet, le clapet de dérivation (bypass) et d'évacuation des fumées seront tous deux fermés. Le clapet a une petite ouverture intégrée, de sorte que même lorsqu'il est fermé il conserve un tirage minimal de sécurité. Le clapet d'évacuation des fumées se situe à la jonction poêle-cheminée. Ceci est pour s'assurer autant que possible que la chaleur stockée dans le poêle soit conservée dans la masse et non rejetée par la cheminée après la dernière charge utile pour le cycle de chauffe. Cette fonction ne doit jamais être utilisée avant que le feu ne soit éteint et que seulement quelques braises soient présentes dans le poêle. **AVERTISSEMENT : La fermeture trop précoce du clapet des fumées peut entraîner la diffusion de gaz de fumée**

dans la pièce et provoquer une intoxication au monoxyde de carbone.

Commande d'apport d'air

Pour la combustion dans un poêle à accumulation de chaleur la commande d'apport d'air est normalement laissée ouverte au maximum. Cela garantit une combustion optimale et minimise les dépôts de carbone dans le système de conduit d'air chaud.

En outre, il est plus facile de conserver la vitre propre avec une combustion intensive. De plus, il facilite le maintien de la vitre propre pendant une combustion intensive.

Toutefois, si l'on souhaite une période de combustion plus longue et des flammes plus douces, la commande permet d'ajuster le débit d'air et de le réduire. Salzburg est équipé de la technologie de combustion secondaire, qui équipe les foyers modernes. Ceci assure une combustion propre et une grande efficacité, même avec des petites charges de bois.

Nettoyage du système de conduit d'air chaud

Lorsque le foyer est utilisé chaque jour pendant toute la saison de chauffage, nous recommandons que le système de conduit d'air chaud soit ramoné une fois par an. C'est pour maintenir le tirage et l'efficacité. La suie bouche les conduits et donc réduit l'efficacité. Cela entraînerait un tirage réduit et rendrait difficile le contrôle des flammes avec la commande d'apport d'air.

Rappelez-vous que la cheminée doit toujours être froide avant qu'elle ne soit ramonée / inspectée.

La façon la plus simple de ramoner les conduits consiste à utiliser une canne de ramonage qui est aussi souple que possible (acier, Ø 4-5 mm, environ 200 cm de long) avec son hérisson (Ø 50 – 80 mm). Ce dernier est ensuite dirigé vers le bas à travers l'ouverture où se trouvait le le cendrier, puis vers le haut dans le système de conduits de chaque côté. Toute la longueur du conduit doit être ramonée. À l'aide d'un aspirateur à cendres, retirer les suies tombées dans la partie inférieure sous le cendrier

L'inspection doit être effectuée par des professionnels de l'entretien agréés.

Cendre et Cendrier

Le cendrier se compose d'une partie interne qui est utilisé pour la vidange régulière des cendres. Le système de conduits peut être atteint lorsque la partie extérieure du cendrier est également enlevée.

En cas de raccordement arrière ou latérale le conduit de fumée peut être ramoné en enlevant le déflecteur de fumée, puis en ouvrant le clapet de dérivation.

Les cendres doivent être vidées régulièrement. Veuillez noter que les cendres peuvent contenir des braises chaudes, même plusieurs jours après que le

feu ai cessé. Il faut donc utiliser un récipient non inflammable pour enlever les cendres.

Poids

Le propriétaire doit s'assurer que le sol peut supporter la charge du poids total du produit.

Mur Pare-feu

Les poêles peuvent être installés sans un mur pare-feu sur un matériel ininflammable. Respecter toutes les distances de sécurité par rapport aux matériaux combustibles (minimum 15cm) pour l'appareil lui-même. Se référer aux caractéristiques de distance de sécurité selon le matériel.

Raccordement à la cheminée

Suivre les spécifications du fabricant de la cheminée pour le raccordement à la cheminée. Monter à sec la cheminée pour ajuster précisément la hauteur précise ainsi que le positionnement du raccord de conduit de fumée/cheminée.

Le produit n'est pas compatible avec une cheminée en béton raccordé par le haut.

Poids maximum d'une cheminée en acier (raccordement en haut) à respecter :300 kg.

Pour le raccordement en haut à une cheminée en acier, suivez les recommandations du fabricant.

Exigences pour les plaques de sol en cas de sol combustible

Une plaque de sol ignifugée doit être mise devant la cheminée si le sol est d'une matière inflammable. Suivre les exigences pour les plaques de sol (pierre, acier, etc.) qui s'appliquent dans le pays où le produit est installé.

Colle

Les éléments extérieurs doivent être collés avec une colle acrylique qui est incluse. Assurez-vous que toutes les surfaces qui doivent être collées sont exemptes de poussière. Les surfaces peuvent être nettoyées pour une meilleure adhérence. Assurez-vous que les surfaces soient sèches avant d'étendre l'acrylique. Une fois que le poêle est assemblé, remplir les joints avec de l'acrylique et égalisez avec une éponge ou un doigt et un peu d'eau savonneuse, afin d'avoir une indentation claire entre les éléments (figure Z).

Petits Eclats

Transport et manutention peuvent causer des petits éclats au produit. Cela peut être réparé avec la colle en poudre qui est incluse. Pour un résultat parfait, vous pouvez remplir et broyer avec une charge adaptée de colle en poudre sur le dessus. combler fissures et irrégularités avec une spatule. Si l'éclat est profond, il est recommandé de remplir en plusieurs étapes en laissant sécher à chaque remplissage jusqu'à disparition complète de l'anfractuosités. Poncer afin de retrouver un aspect lisse.

Peinture

La surface de l'habillage du poêle est développée pour être peinte sans travail de préparation. Utilisez une peinture à base de latex ou d'acrylique (peinture d'émulsion), ou une peinture à base de ciment texturée. Dans le cas peu probable où il existe des irrégularités sur la surface, celles-ci peuvent être remplies avec de l'acrylique qui est inclus ou avec un matériau léger et approprié de remplissage. Toute surface qui a été remplie doit être lissée avec du papier de verre fin.

Polissage

Si une surface plus traditionnelle et polie est souhaitée, il est recommandé d'humidifier la surface puis d'enduire l'habillage de colle à carrelage (poudre colle) et un maillage en fibre de verre, avant d'ajouter un enduit compatible.

Faïences

Ce foyer peut également être couvert partiellement ou complètement de carreaux/pierre naturelle selon votre choix. tout comme dans la section précédente, nous recommandons que l'habillage de la cheminée soit humidifié avant d'être recouvert de colle à carrelage (colle en poudre) et d'un maillage en fibre de verre. Il s'agit d'assurer une bonne adhérence et d'éviter la formation de fissures au niveau des joints de l'habillage.

Noter que la colle et le mortier être sec avant qu'un feu soit allumé. Suivre les instructions auprès des producteurs de mortier / colle.

Indépendamment du traitement du surface, il est préférable de protéger le cadre de la porte pour éviter d'avoir à le nettoyer plus tard.

Noter que la lame d'air entre l'habillage et le cadre de la porte ne doit pas être rempli avec de la colle, le mortier ou similaire.

Thermotte™

Les plaques d'isolation (Thermotte) sont considérées comme des pièces d'usure qui doivent être remplacées au bout de quelques années. La date de remplacement dépend de l'utilisation qui est faite du produit. Nordpeis garantit ces pièces un an. Une fois la garantie passée, vous pouvez acheter des pièces de rechange.

Noter: des bûches de bois trop longues peuvent provoquer une pression supplémentaire et casser les plaques, en raison de la tension créée entre les plaques latérales.

Fissures dans le PowerStone

À cause des effets thermiques il peut y avoir de petites fissures dans la PowerStone. Ce qui est naturel et n'affecte pas la fonction du produit ou la sécurité.

2. Garantie

Pour une description détaillée des conditions de garantie voir la carte de garantie ci-joint ou notre site web www.nordpeis.fr

Avertissement !
Utilisez uniquement des pièces de rechange recommandées par le fabricant.

Avertissement !
Toute modification non autorisée de l'appareil sans l'accord écrit du constructeur est interdite.

Porte et verre

Dans le cas où il y a de la suie sur la vitre, il peut être nécessaire de la nettoyer. Utiliser un nettoyant spécifique pour vitres, puisque d'autres détergents peuvent endommager le verre. (Attention ! Soyez prudent, même un nettoyant dédié aux vitres peut endommager le vernis sur le cadre de la porte). Un bon conseil pour le nettoyage du verre est d'utiliser un chiffon humide ou un essuie-tout sur lequel on a appliqué de la cendre de la chambre de combustion. Frotter la cendre sur le verre et finir avec un morceau d'essuie-tout propre et humide. NB! nettoyer uniquement lorsque le verre est froid.

Périodiquement, il peut être nécessaire de changer les joints sur la porte pour s'assurer que la chambre de combustion est étanche et fonctionne de manière optimale. Ces joints peuvent être achetés chez votre revendeur.

LE VERRE RÉFRACTAIRE NE PEUT PAS ÊTRE RECYCLÉ

Le verre Réfractaire devrait être traité comme des déchets résiduels, avec la poterie et la porcelaine



Recyclage du verre réfractaire

Le verre réfractaire ne peut pas être recyclé. Le vieux verre réfractaire, cassé ou autrement inutilisable, doit être jeté comme un déchet résiduel. Le verre réfractaire a une température de fusion plus haute et ne peut pas donc être recyclé avec le verre ordinaire. Dans le cas où il serait mélangé avec du verre ordinaire, il endommagerait la matière première et pourrait empêcher le recyclage de verre. C'est une contribution importante à l'environnement de s'assurer que le verre réfractaire n'est pas recyclé avec du verre ordinaire.

Recyclage de l'emballage

L'emballage accompagnant le produit doit être recyclé conformément aux réglementations nationales.

Allure de combustion

Un produit d'accumulation de chaleur ne doit pas être utilisé trop agressivement car cela peut endommager le produit. Afin de maximiser les bénéfices d'un produit d'accumulation de chaleur, il est donc important d'optimiser le rythme de combustion et la taille des charges. Lire les taux de combustion et de tailles de charge qui s'appliquent à votre produit.

3. Conseils pour allumer un feu

La meilleure façon d'allumer un feu est d'utiliser des briquettes foudre et du bois d'allumage sec. Les journaux causent beaucoup de cendres et l'encre est dommageable pour l'environnement. Dépliants publicitaires, magazines, cartons de lait et similaires ne sont pas appropriés pour allumer un feu. Une bonne alimentation en air est importante pour l'allumage. Lorsque le conduit de fumée est chaud le tirage augmente et la porte peut alors être fermée.

Avertissement : Afin d'éviter tout risque de blessures, attention aux surfaces qui peuvent devenir chaudes en cours de fonctionnement de l'appareil. Des précautions supplémentaires doivent être prises pour éviter les brûlures.

Avertissement: n'utilisez JAMAIS un carburant d'éclairage comme l'essence, la paraffine, l'alcool à brûler ou similaires pour allumer un feu. Cela pourrait vous causer des blessures ainsi qu'endommager le produit.

Utilisez du bois propre et sec avec une teneur maximale en humidité de 20% maximum et 16% minimum. Un bois humide nécessite beaucoup d'air pour la combustion, ainsi qu'une énergie/chaleur supplémentaire pour sécher le bois, la chaleur dégagée est donc minime. En plus cela crée de la suie dans la cheminée avec le risque de créosote et feu dans la cheminée.

En cas de feu de cheminée, fermer les portes et les registres d'air sur le poêle/l'insert et appeler les pompiers. Après un feu de cheminée, celle-ci doit dans tous les cas être inspectée par un ramoneur agréé avant d'utiliser l'appareil à nouveau.

Entreposage du bois

Afin de s'assurer que le bois est sec, l'arbre doit être coupé en hiver et ensuite entreposé pendant l'été, sous un toit et dans un endroit avec une ventilation adéquate. La pile de bois ne doit jamais être recouverte d'une bâche qui va jusqu'au sol, la bâche agira alors comme un couvercle hermétique qui empêchera le bois de sécher. Toujours garder une petite quantité de bois à l'intérieur, quelques jours avant l'utilisation afin que l'humidité de la surface du bois puisse s'évaporer.

Conseils généraux pour le feu

Pas assez d'air pour la combustion peut causer l'encrassement de la vitre par la suie. Par conséquent, fournir de l'air au feu dès l'allumage pour que les flammes et les gaz dans la chambre de combustion soient correctement brûlés. Ouvrez la commande d'apport d'air et tenez la porte légèrement entrouverte pour que les flammes puissent recouvrir correctement le bois. Trop d'air à la combustion peut créer une flamme incontrôlable qui très rapidement chauffera le poêle entier à d'extrêmement hautes températures (avec la porte fermée ou presque fermée). Pour cette raison ne remplissez jamais totalement la chambre de combustion de bois.

Avertissement: Le foyer doit toujours être fermé, sauf lors de l'allumage, le remplissage de bois et de l'élimination des cendres

Allumage du feu

Petit bois

Finement coupé (diamètre de 3 à 5 cm)

Longueur : 25-30 cm

Quantité approx. par flambée : 3 kg

Placer de petits morceaux de bois sec, les allumer et s'assurer que le bois s'enflamme bien. Lorsque les flammes sont stables et que le conduit de cheminée est chaud, déplacer le registre d'air primaire vers la gauche pour quitter le mode allumage. Lorsque le clic sonore est ressenti et entendu, l'admission d'air primaire est fermée.

Régler le clapet en mode normal 15 à 20 minutes après l'allumage. Les gaz de fumée commencent à circuler dans les conduits et la chaleur se diffuse et est stockée dans le cœur du poêle en Powerstone.

Lorsqu'une couche de braises incandescentes recouvre le fond du foyer, vous pouvez placer de nouvelles bûches. Tirer la braise chaude vers l'avant du foyer lors du placement de nouvelles bûches, de sorte que le bois s'allume de l'avant. Placer la première couche de bûches dans le sens perpendiculaire à l'avant du foyer. Les flammes doivent être claires et vives.

Quand il y a une couche rougeoyante de cendres, de nouvelles bûches de bois peuvent être ajoutées. Ramenez la braise chaude vers l'avant du foyer lors de l'insertion de nouvelles bûches, de sorte que le bois s'enflamme par l'avant. Placez la première couche de bûches dans le sens perpendiculaire à la partie frontale. Le feu doit brûler avec une flamme vive.

Quantité de charge

Bois fendu (diamètre de 6 à 9 cm)

Longueur : 25-35 cm

Quantité de charge normale. 3,75 kg /h

(Quantité de charge max. : 3,75 kg /h)

Lorsque le feu s'éteint, fermez le clapet d'évacuation de fumée afin de stocker plus de chaleur à l'intérieur de l'appareil.

Choix de combustible

Tous les types de bois, comme le bouleau, le hêtre, le chêne, l'orme, le frêne et les arbres fruitiers, peuvent être utilisés comme combustible dans le poêle. Les essences de bois ont des degrés différents de dureté - plus le bois est dur, plus il contient de l'énergie. Hêtre, chêne et le bouleau ont le plus haut degré de dureté.

Nous attirons votre attention sur l'usage de briquettes de bois reconstitué. Celles-ci dégagent généralement une puissance calorifique supérieure au bois bûche, qui peuvent endommager les éléments du foyer voir le foyer lui-même. Se conformer strictement aux prescriptions du fabricant de briquettes, une surchauffe constatée avec ce type de produit entraîne la suppression de la garantie.

Avertissement : N'employez JAMAIS de bois imprégnés, bois peint, contre-plaqué, carton, déchets, cartons de lait, et des documents imprimés ou similaires. Si n'importe lequel de ces articles est utilisé comme carburant la garantie est invalide.

Ces matériaux peuvent former lors de la combustion de l'acide chlorhydrique et des métaux lourds qui sont nocifs pour l'environnement, le poêle et vous. L'acide chlorhydrique peut également attaquer l'acier dans la cheminée ou les matériaux dans une cheminée en maçonnerie.

éviter également d'allumer avec de l'écorce, de la sciure de bois ou d'autres éléments extrêmement fins. Cette forme de carburant peut facilement provoquer un embrasement qui peut conduire à des températures trop élevées.

Source: "Håndbok, effektiv og miljøvennlig vedfyring" de Edvard Karlsvik SINTEF Energy Research AS et Heikki Oravainen, VTT.

Pour votre sécurité, observez les instructions de montage. Toutes les distances de sécurité sont des distances minimales. L'installation du poêle doit observer les règles et les règlements du pays où installé. Nordpeis AS n'est pas responsable du montage défectueux d'un poêle. Sous réserve d'erreurs et de modifications. Pour la dernière version mise à jour aller à www.nordpeis.fr

4. Informations Techniques Salzburg C

| | | |
|---|--|--------|
| Distance minimale aux matériaux combustibles | Derrière | 50 mm |
| | Latérale | 50 mm |
| | Plafond | 550 mm |
| Particules CO à 13% O ₂ | <1500 mg/m ³ | |
| Température moyenne de fumée | 140 °C | |
| Stockage thermique | 54,5 kWh 196 056 kJ | |
| Capacité de stockage thermique | 100% après 4,8 h 50% après 11,7 h 25% après 20,1 h | |
| Rendement | 84 % | |
| Ouverture de la commande de mise à l'air (%) | +/- 100 % | |
| Puissance thermique nominale durant la période de décharge (100%-25%) | 3,6 kW | |
| Tirage de cheminée | 12 Pa | |
| Longueur de bûches de bois | 350 mm | |
| Poids | 936 kg | |
| Taille de la charge | 3 kg | |
| Nombre maximum de Charges | 5 Intervalle des charges 1 / heure | |
| Nombre des cycles de combustion par 24 heures | 1 | |

5. Avant d'assembler le poêle

Vous êtes un client totalement responsable de l'exécution de ces règles locales concernant l'installation dans votre région / pays. Nordpeis n'est pas responsable quant à l'installation.

Vous devez vérifier la conformité des règlements locaux concernant (*S'il vous plaît noter que cette liste n'est pas exhaustive*):

- la distance du poêle aux matériaux inflammables
- des matériaux / exigences d'isolation entre le poêle et le mur d'adossement
- les dimensions des plaques de sol devant le poêle si exigé
- la connexion avec le conduit de fumée et la sortie des fumées entre le poêle et la cheminée
- des exigences d'isolation si le conduit de fumée traverse un mur inflammable.
- un accès pour le nettoyage de l'appareil, le connecteur de conduit de fumée, le conduit de cheminée doit être fourni

Le tirage de cheminée

Comparés avec d'anciens modèles, les poêles à combustion propre d'aujourd'hui ont plus d'exigence sur le conduit d'évacuation des fumées. Même le meilleur poêle ne fonctionnera pas correctement si le conduit n'a pas les dimensions justes ou n'est pas en bon état de fonctionnement. Le tirage est principalement contrôlé par la température des gaz, température extérieure,

l'apport d'air, la hauteur et la section intérieur du conduit. Le diamètre ne doit jamais être inférieur à celui de la sortie du poêle. À la valeur nominale, le tirage devrait avoir une pression de 14 à 25 Pascals.

Le tirage augmente quand:

- La cheminée devient plus chaude que l'air extérieur
- La longueur active de la cheminée augmente (au-dessus du poêle)
- Il y a un bon apport d'air à la combustion

Il peut être difficile d'obtenir les conditions justes de tirage dans le cas où la cheminée serait trop haute ou large, car le poêle ne chauffera pas assez bien. N'hésitez pas à contacter un professionnel afin de réaliser un contrôle du tirage de votre conduit. Grâce à un outillage adapté, il pourra réaliser une mesure précise.

Attention! Il est recommandé d'utiliser un professionnel qualifié lors de l'installation d'un nouveau foyer.

Attention! Un tirage de cheminée négatif ou des conditions météorologiques défavorables, par ex. brouillard, vent, etc., peut gêner le tirage de cheminée nécessaire. Celui-ci doit être vérifiée avant d'utiliser le foyer. S'il n'y a pas de tirage de la cheminée nécessaire dans la cheminée, l'utilisation du foyer doit être évitée.

Système de conduits de fumée commun

L'appareil peut être raccordé au système de conduits de fumée commun.

Si l'appareil est raccordé à un système de conduits de fumées communs - le système de porte à fermeture automatique doit être opérationnel.

Avertissement! Si l'appareil est raccordé à un système de conduits de fumées communs - le système de porte à fermeture automatique doit être opérationnel.

L'apport d'air (=mm AIR)

Un ensemble de dispositifs destinés à assurer le renouvellement de l'air est disponible en accessoire et assurera que des systèmes de ventilation, les ventilateurs de la cuisine et d'autres facteurs qui peuvent créer une dépression dans la pièce du poêle, affectent moins de l'apport d'air de combustion pour le foyer. L'apport d'air insuffisant peut causer une sous-pression et entraver le bon fonctionnement du foyer ainsi que l'efficacité de la combustion et être la base des problèmes tels que: Le foyer et la vitre s'encrassent, le bois ne prend pas feu ou s'allume mal.

**Avertissement !
Ne pas obstruer les prises d'air comburant**

Avertissement ! Des hottes aspirantes, fonctionnant dans la même pièce ou le même espace que l'appareil peuvent engendrer des problèmes.

Illustration des distances (FIG 1)

* L'illustration montre la distance approximative entre le sol et le centre du trou pour le raccord avec le conduit de fumée. Considérez une possible inclinaison de la sortie de fumée avant de faire perforer la cheminée. Les distorsions dans le sol et les murs peuvent également influencer sur la hauteur, monter donc à sec le poêle pour trouver la hauteur exacte et le positionnement de la connexion sortie de fumées / cheminée. Si un kit pour l'apport d'air frais (accessoire) est raccordé par le sol, marquer l'endroit où le trou devrait être.

Attention! Comme le noyau interne du poêle est composé de plusieurs couches la hauteur de connexion peut varier jusqu'à quelques centimètres lors de l'installation.

Distances de sécurité (FIG 2)

Prenez soin de respecter les distances de sécurité indiquées. S'il vous plaît, notez que ces distances de sécurité peuvent varier d'un pays à l'autre.

Attention! Procédure de séchage

Le poêle contient beaucoup d'humidité qui doit être libéré avant qu'il puisse être exposée au rythme de combustion recommandé comme décrit ci-dessous.

Afin de sécher le poêle, suivez la procédure ci-dessous:

1. Assurez vous que le commande de l'entrée d'air, située juste en dessous de la porte, soit complètement ouverte
2. Assurez vous que le clapet de dérivation et le clapet d'évacuation des fumées soient ouverts.
3. Faire un petit feu avec 0,5-1 kg de bois d'allumage.
4. Le clapet de dérivation est fermé une fois que le feu a bien démarré afin que la fumée chaude circule à travers tous les canaux.

Attention! Laisser le commande d'air et le clapet ouverte jusqu'à ce que le feu soit fini.

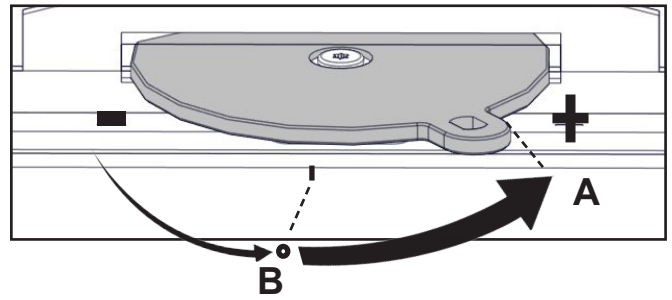
Cette procédure est répétée encore deux fois, au plus tôt à 24 heures d'intervalles.

Si cette procédure de séchage n'est pas suivie il y a un risque de fissure dans les éléments.

Sur le modèle Salzburg, déplacez le registre d'admission d'air vers le droit pour augmenter l'alimentation en air.

Le registre d'admission d'air fonctionne en deux modes.

- A.** Lorsque vous déplacez le registre d'admission d'air au maximum vers la droite, il est en mode d'allumage.
B. Lorsque le registre d'admission d'air est déplacé vers la gauche, l'air comburant est réduit. Un clic sonore indique que l'air comburant est fermé et que l'alimentation en air secondaire est maximale. En continuant à déplacer le registre vers la gauche, la quantité d'air secondaire est réduite.



Rythme de combustion

Un poêle à accumulation de chaleur est conçu pour absorber l'énergie thermique pendant une période relativement courte de combustion intensive, puis relâcher la chaleur accumulée pendant une longue période de temps.

Attention! Un chauffage au delà du schéma recommandé (voir le tableau des informations techniques) se traduira par une température de surface plus élevée, ce qui peut provoquer une décoloration de la peinture, ainsi que des températures plus élevées contre les murs inflammables que ce qui était prévu.

Suivez les valeurs dans le tableau pour trouver la taille correcte de la charge et de quel intervalle de chargement est bon pour votre produit.

Lorsque la dernière charge est entrée dans la phase de braise et qu'il ne reste que quelques braises, la commande d'apport d'air et le clapet des fumées sont fermés pour éviter que la chaleur ne s'échappe par la cheminée.

N'oubliez pas d'ouvrir le clapet des fumées avant d'utiliser le poêle à nouveau.

Le clapet de dérivation devrait seulement être ouvert si nécessaire pendant de brèves périodes (10-15 minutes) au moment où le feu est allumé, et lors du chargement du bois, de manière à éviter que la fumée ou les cendres ne s'échappent dans la pièce. Une combustion persistante avec le clapet de dérivation ouvert peut entraîner un dépassement de la température maximale autorisée de la cheminée.

En raison de la longueur des conduits de fumée, le poêle se réchauffe de manière légèrement inégale. Après l'allumage d'un feu, l'avant au-dessus de la porte ainsi que l'un des côtés va d'abord chauffer. La chaleur va ensuite se répartir uniformément après quelques heures de combustion et quand tous les conduits auront été réchauffés.

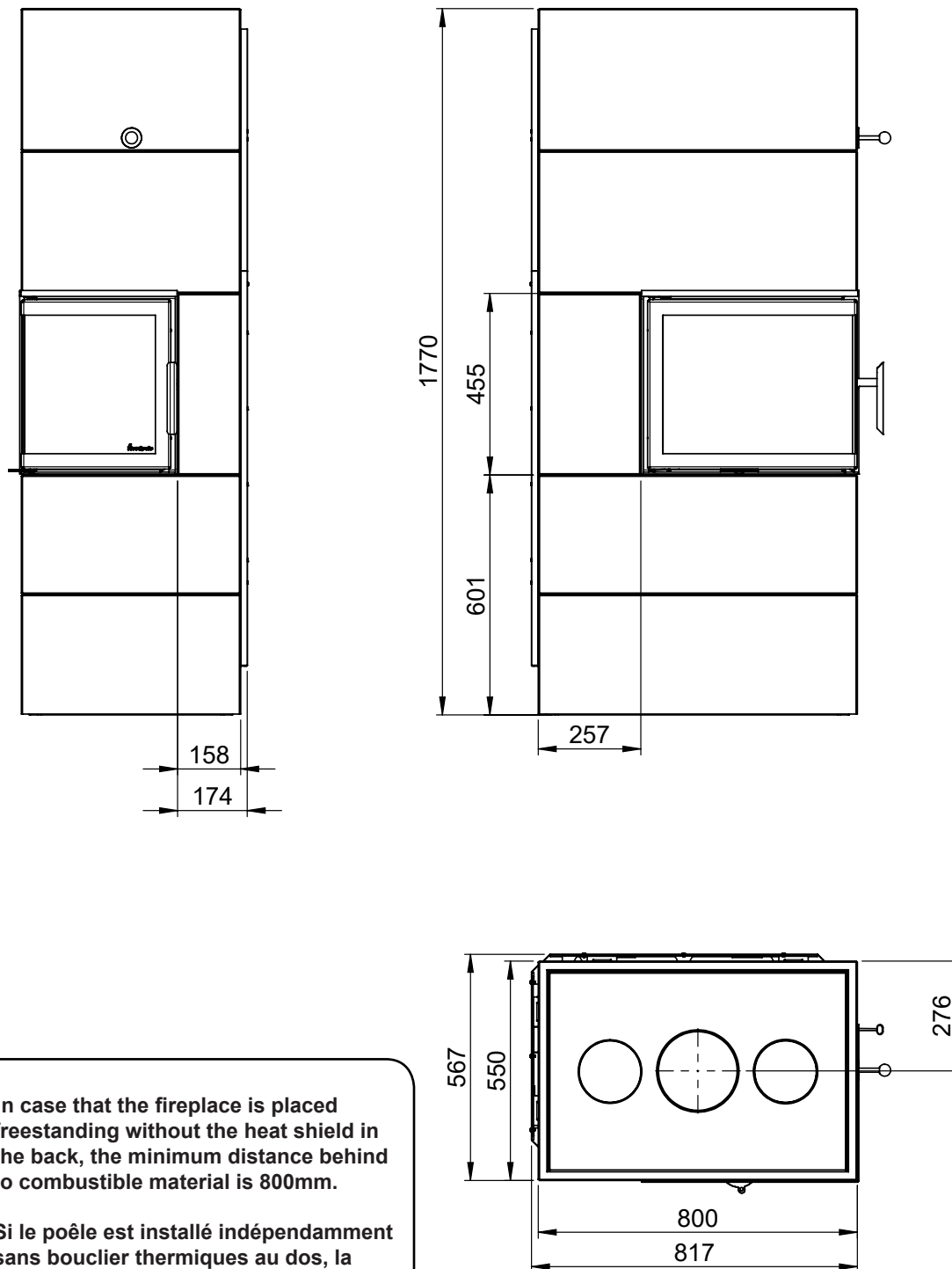
6. Assemblage

Attention! Il est recommandé d'utiliser un professionnel qualifié lors de l'installation d'un nouveau poêle.

| Problème | Explication | Solution |
|---|---|---|
| Pas de tirage | La cheminée est bloquée. | Contactez un cheminée ramoneur pour plus d'informations ou nettoyez la cheminée, le déflecteur et chambre de combustion. |
| | La sortie des fumées est emplies de suie ou de la suie s'accumule sur le déflecteur. | |
| | Le déflecteur est mal placé. | Vérifiez l'ensemble du déflecteur - voir les instructions d'assemblage. |
| Du Poêle émane des fumées lors de l'allumage et pendant la combustion | Courant d'air descendant dans la chambre provoquée par un trop faible tirage, la maison est trop «hermétique». | Vérifier en allumant le feu avec une fenêtre ouverte. Si cela rétablit un tirage normal plus de dispositifs d'arrivée d'air doivent être installés dans la pièce. |
| | Courant d'air descendant dans la chambre causée par l'extracteur et/ou le système de ventilation central qui tire trop d'air hors de la pièce. | Arrêtez/réglez l'extracteur et/ou tout autre ventilation. Si cela rétablit un tirage normal, plus de dispositifs d'arrivée d'air doivent être installés dans la pièce. |
| | Les conduits de fumée de deux cheminées / foyers sont connectés à la même sortie de toit, à la même hauteur. | Un conduit doit être repositionné. La différence de hauteur des deux conduits de fumée à la sortie doit être d'au moins 30 cm. |
| | Le conduit de raccordement à une inclinaison incorrecte entre la sortie du foyer et le conduit d'évacuation des fumées. | Le conduit de fumée doit être déplacé afin qu'il y ait une inclinaison d'au moins 10 ° pour le tuyau reliant la sortie du dôme au conduit d'évacuation des fumées. Éventuellement, installer un dispositif d'aspiration de fumée*. |
| | Le conduit de fumée est trop bas. | Le conduit de fumée doit être remonté de sorte qu'elle doit finir 5 millimètres avant la sortie. Installez un dispositif d'aspiration de fumée*. |
| | Le portillon à suie est ouvert et craie ainsi un faux tirage. | Les portillons à suie doivent toujours être fermés. Vérifier l'étanchéité du portillon et le changer si nécessaire. |
| | Un trou ouvert dans le conduit de fumée fausse le tirage. | Les trous et fuites doivent être rebouchés avec un produit non inflammable. |
| | Défaut de maçonnerie dans le conduit d'évacuation des fumées, par exemple ce n'est pas hermétique autour du conduit de fumée. | Rebouchez toutes les fissures. |
| | La section transversale dans la cheminée est trop grande et comme conséquence, il n'y a pas de tirage ou il est très faible. | La cheminée doit être réaménagé, peut-être installer un dispositif d'aspiration de fumée*. |
| | Le diamètre des tuyaux d'évacuation des fumées est trop petit et la cheminée ne peut extraire pas toutes les fumées. | Changer pour un foyer plus petit ou construire une nouvelle évacuation avec un plus grand diamètre. Éventuellement installer un dispositif d'aspiration de fumée*. |
| Le conduit d'évacuation des fumées est trop bas et, par conséquent, le tirage faible. | Augmenter la hauteur de la cheminée et/ou installez un dispositif d'aspiration de fumée* / un chapeau de cheminée. | |
| La cheminée libère des fumées à l'intérieur quand c'est venteux à l'extérieur. | La cheminée est trop basse par rapport au terrain environnant, les bâtiments, arbres etc | Augmenter la hauteur de la cheminée et/ou installez un dispositif d'aspiration de fumée* / un chapeau de cheminée. |
| | Turbulence autour de la cheminée en raison d'un toit trop plat. | Augmenter la hauteur de la cheminée et/ou installez un dispositif d'aspiration de fumée* / un chapeau de cheminée. |
| La cheminée ne chauffe pas bien. | La combustion dans le foyer reçoit trop d'oxygène en raison d'une fuite sous le bord inférieur du foyer ou le tirage est trop fort. Il est très difficile de régler la combustion et le bois brûle trop rapidement. | Les éventuelles fuites doivent être bouchées. NB! Une fuite de seulement 5 cm ² est suffisante pour laisser disparaître 30% de l'air chauffé. |
| Tirage trop fort | Le déflecteur est mal placé. | Contrôler le positionnement du déflecteur - voir les instructions d'assemblage. |
| | Le bois est très sec | Baisser l'apport d'air |
| | Les joints d'étanchéité autour de la porte sont usés et totalement plats. | Échangez les joints d'étanchéité, contactez votre concessionnaire. |
| | La cheminée est trop longue. | Contactez un ramoneur / distributeur pour plus d'informations. |
| Le verre est noir de suie | Le bois est trop humide | Employez seulement un bois sec avec une humidité maximum de 20%. |
| | Le contrôle d'apport d'air est trop fermé. | Ouvrez la commande d'apport d'air pour ajouter de l'air à la combustion. Quand de nouvelles bûches en bois sont insérées toutes les commandes d'apport d'air devraient être complètement ouvertes ou la porte légèrement ouverte jusqu'à ce que les bûches prennent feu |
| Verre blanc | Mauvaise combustion (la température est trop basse) | Suivez les directives dans ce livret pour corriger le chauffage. |
| | L'utilisation de mauvais matériel pour la combustion (par exemple, bois peint ou imprégné, stratifié de plastique, contre-plaqué, etc.) | Assurez-vous d'utiliser seulement du bois sec et propre. |
| La fumée sort de la cheminée quand la porte est ouverte. | Un nivelage de pression se produit dans la chambre de combustion. | Ouvrez la commande d'apport d'air pendant environ 1 minute avant l'ouverture de la porte - éviter d'ouvrir la porte trop rapidement. |
| | La porte est ouverte quand il y a un feu dans la chambre de combustion. | Ouvrez seulement la porte quand il y a une braise chaude. |
| Fumée blanche | La température de combustion est trop basse. | Augmentez l'apport d'air. |
| | Le bois est humide ou contient de l'humidité. | Assurez-vous d'utiliser seulement du bois sec et propre. |
| Fumée noire ou grise/noire | Combustion insuffisante. | Augmentez l'apport d'air. |

Fig 1

Salzburg C



GB

In case that the fireplace is placed freestanding without the heat shield in the back, the minimum distance behind to combustible material is 800mm.

FR

Si le poêle est installé indépendamment sans bouclier thermique au dos, la distance de sécurité minimale derrière par rapport à un matériaux inflammable est de 800mm.

DE

Falls der Salzburg freistehend ohne Strahlungsschutzblech an der Hinterwand aufgebaut wird, beträgt der Mindestabstand hinten zu brennbarem Material 800 mm.

Salzburg C - chimney / air

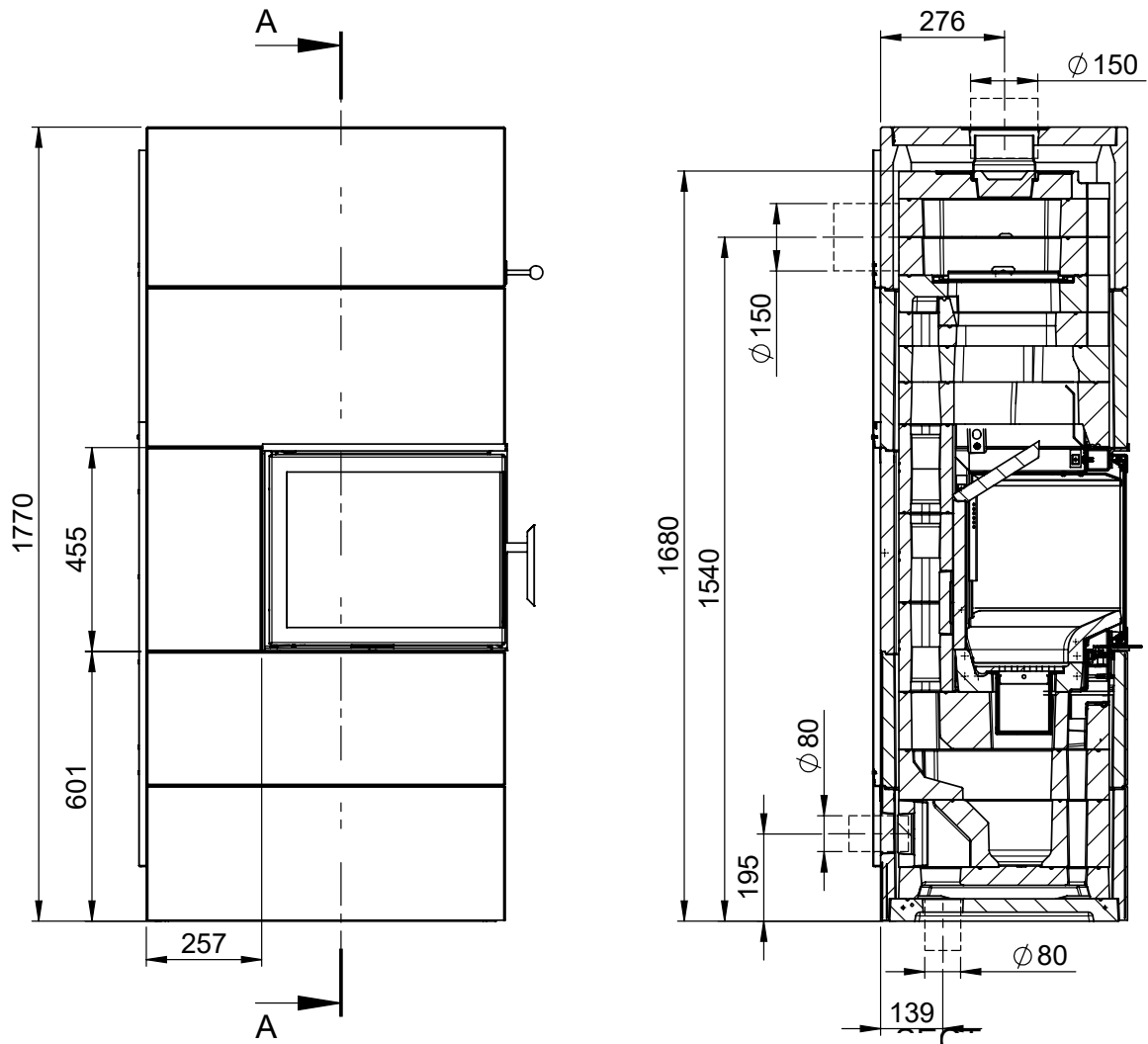




Fig 2

-  =Brannmur/Brandmur/Palomuuri/Firewall/Mur parfeu/Hitzeschutzwand
-  =Brennbar materiale/Brännbart material/ Tulenarka materiaali/Combustible material/ Matières combustibles/Brennbares Material

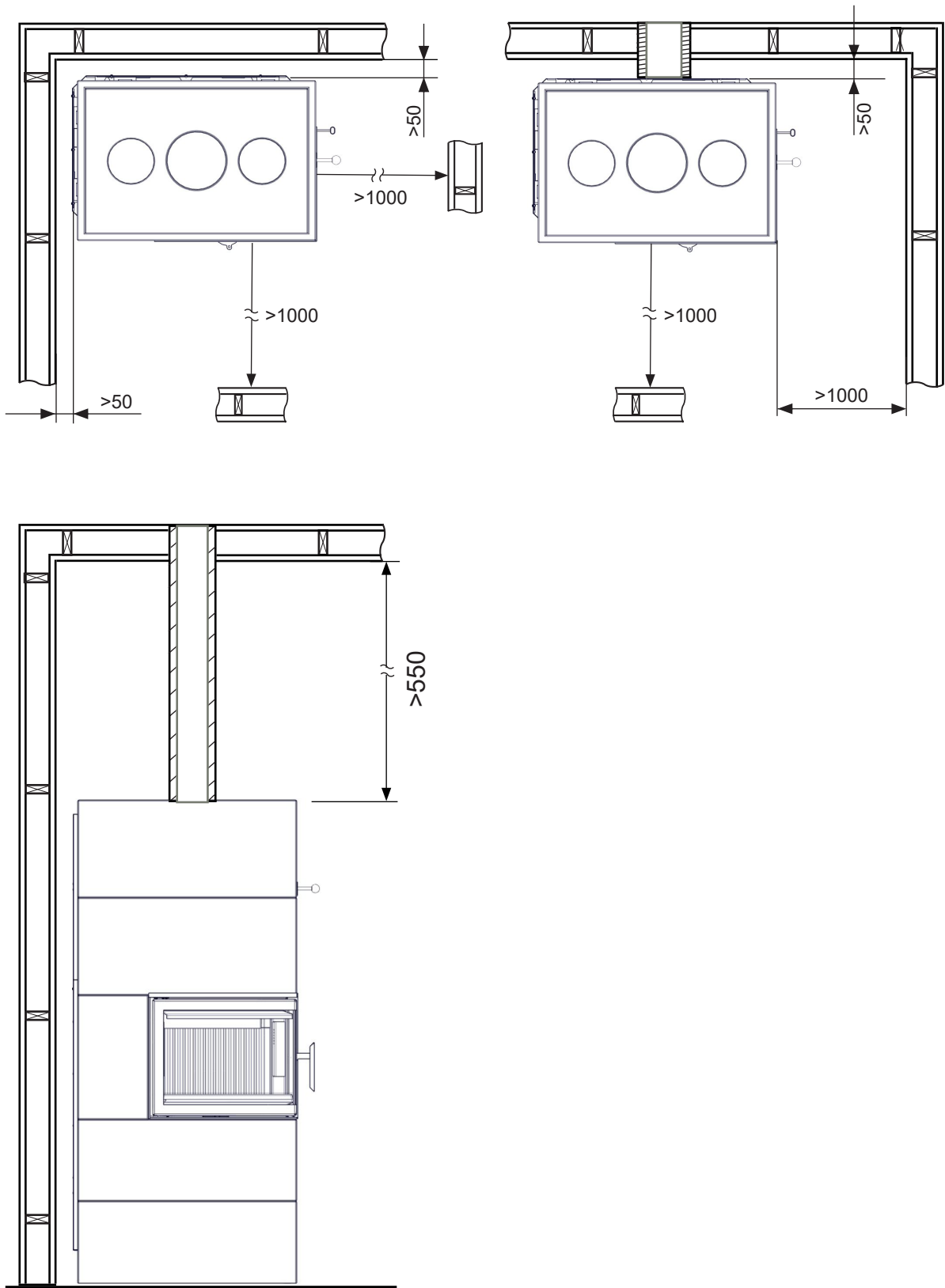
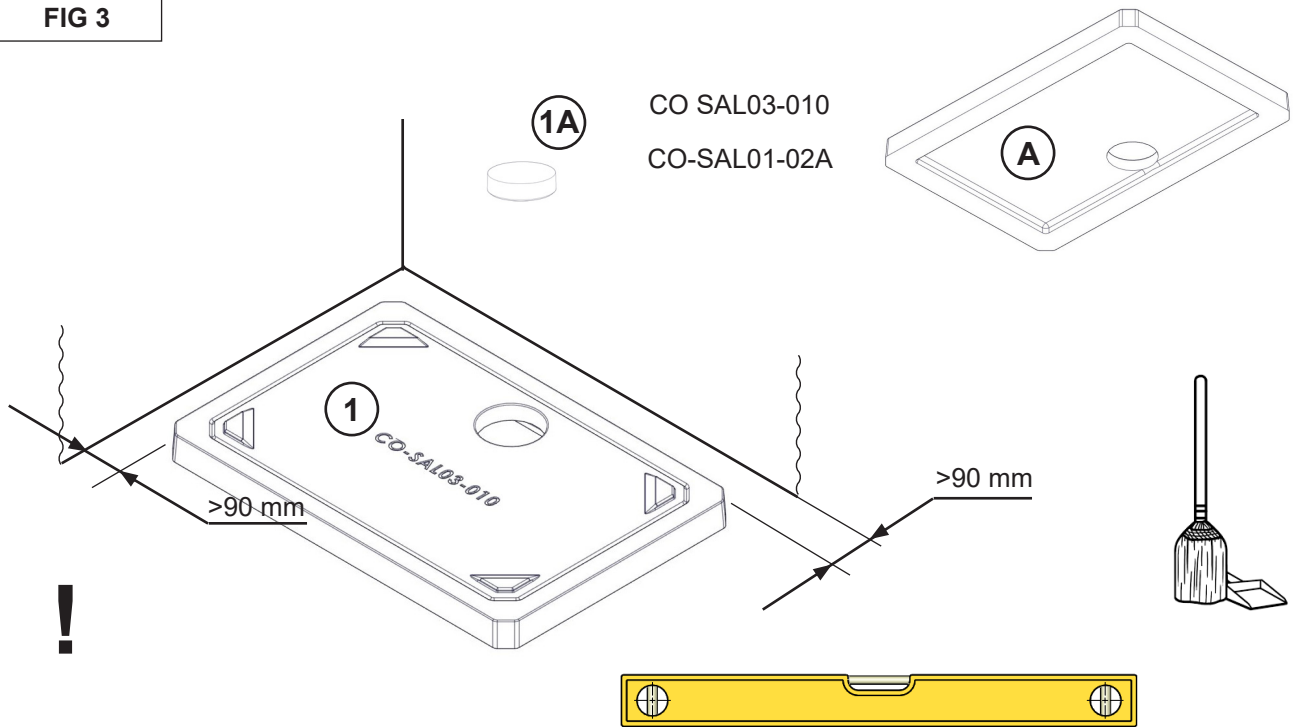


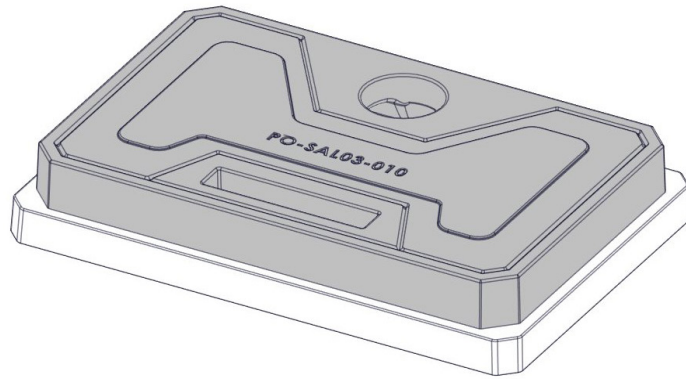
FIG 3



| | |
|------------------|--|
| <p>DE</p> | <p>Legen Sie die Sockelplatte (1) auf den Boden. Der komplette Bereich muß überall in Kontakt mit dem Boden sein (A). Um dies zu erzielen verteilen Sie eine Schicht Fliesenkleber oder dünnflüssigen Mörtel auf dem Boden, bevor Sie die Sockelplatte (1) darauf legen. Dadurch sichern Sie ab, dass die schwergewichtige Feuerstelle auch auf eventuellen Unebenheiten stabil steht und eine korrekte Gewichtsverteilung gewährleistet ist. Beachten Sie auch das waagerechte Aufstellen dieses Elements, bevor Sie mit der Montage fortfahren. Merke: Verwenden Sie keine Unterlegscheiben, um die Sockelplatte waagrecht aufzustellen. Unterschiedliche Spannungsverhältnisse in der Sockelplatte können diese unter dem Eigengewicht des Gerätes springen lassen.</p> <p>Achtung! Die Sockelplatte kann nun an die Zuluft durch den Boden angeschlossen werden. Wenn der Anschluss durch den Boden nicht benutzt wird, schließen Sie die Öffnung in der Sockelplatte mit dem beiliegenden Dichtungsklotz (1a). Den gleichen Dichtungsklotz verwenden Sie, um die Öffnung hinten im Mantelelement (FIG 8a) abzudecken, falls der Zuluftanschluss durch den Boden erfolgt.</p> |
| <p>FR</p> | <p>La plaque de base (1) est placée par terre. Il est important que la surface de contact destinée (A) soit en contact réel avec le sol. Cela peut être assuré par la diffusion d'une couche de colle à carrelage ou de mortier liquide sur le sol avant que la plaque de base ne soit placée contre le sol. Il s'agit de s'assurer que le poêle lourd ne reste pas posé sur des irrégularités et d'assurer ainsi une répartition uniforme du poids de la cheminée. Il est également important de s'assurer que cette plaque soit de niveau dans les deux directions avant de procéder à l'installation. Utiliser un niveau.</p> <p>Attention! L'utilisation de cales pour assurer que la plaque de base soit de niveau n'est pas recommandée car les différences de tension peuvent faire que la plaque craque sous le poids du produit.</p> <p>La plaque de bas est préparée pour le raccordement de l'air frais à travers le sol. Dans le cas où la connexion à travers le sol n'est pas utilisée, il faudra fermer le trou de la plaque inférieure avec le couvercle fourni 1a. Le couvercle est également utilisé pour fermer le trou de l'arrière de l'habillage (FIG 8a) si le raccordement d'air frais est effectué à travers le sol.</p> |
| <p>GB</p> | <p>The base plate (1) is placed on the floor. It is important that the entire intended contact surface (A) is in actual contact with the floor. This can be ensured by spreading a layer of tile adhesive or thin mortar on the floor before the base plate is placed against the floor. This is to ensure that the heavy fireplace is not left sitting on any irregularities and to ensure an even weight distribution of the fireplace. It is also important to ensure that this plate is level in both directions before proceeding with the installation.</p> <p>Attention! The use of shims to level the base plate is not recommended as the differences in tension on the base plate can cause it to crack under the weight of the product.</p> <p>Attention! The bottom plate is prepared for fresh air supply connection through the floor. In case the connection through the floor is not used then seal the hole in the bottom plate with the supplied lid 1a. The same lid is used to seal the hole in the rear of the surround (FIG 8a) if the fresh air supply is connected through the floor.</p> |

FIG 4

PO-SAL03-010



| | |
|----|---|
| DE | ACHTUNG! Der innere Kern muß vom ersten Powerstone-Element an mittig positioniert sein. |
| FR | IMPORTANT! Le noyau interne de PowerStone™ doit être centré à partir du premier élément |
| GB | IMPORTANT! The inner core of Powerstone™ must be centered from the first element |

FIG 5

PO-SAL03-02A

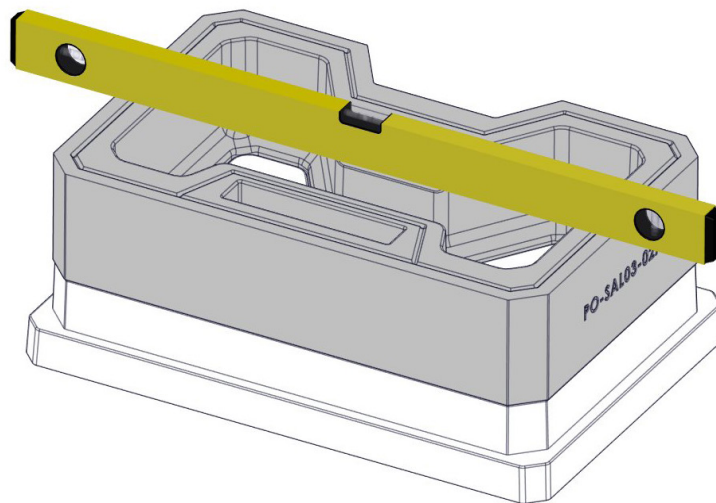


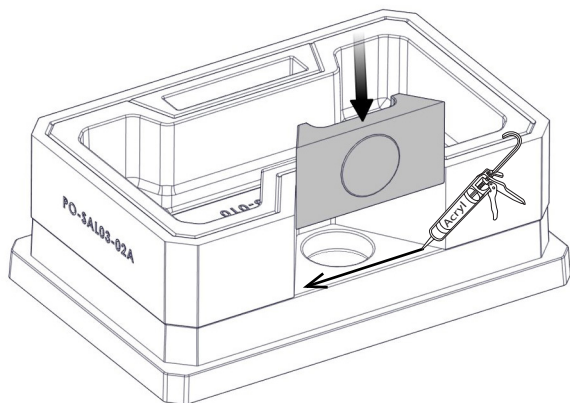
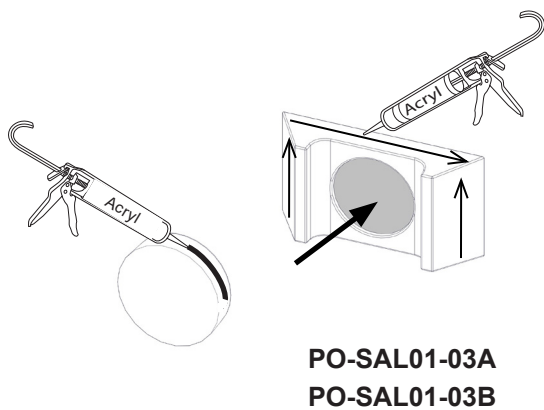
FIG 6

Bottom air connection
Raccordement d'air par le bas
Unterer Luftanschluss

A

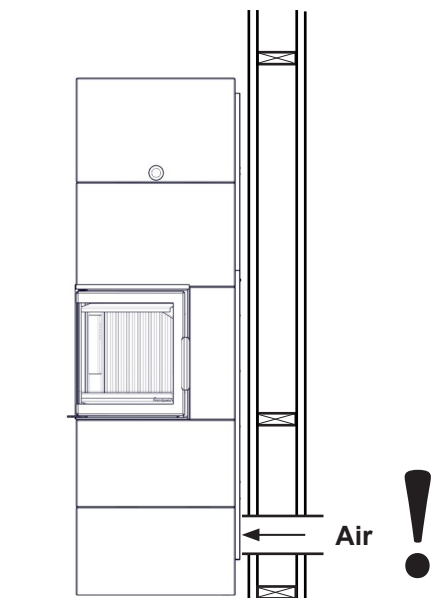


6 A



Rear air connection
Raccordement d'air par l'arrière
Hinterer Luftanschluss

B



6 B

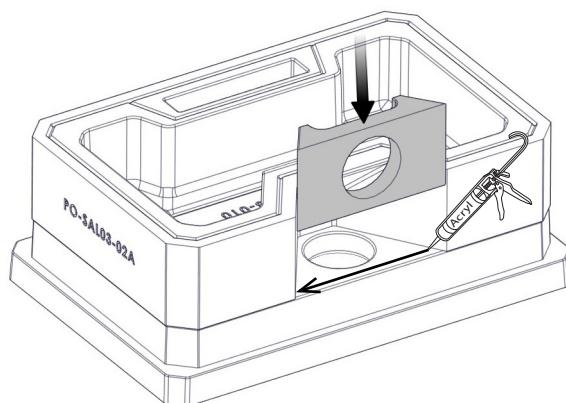
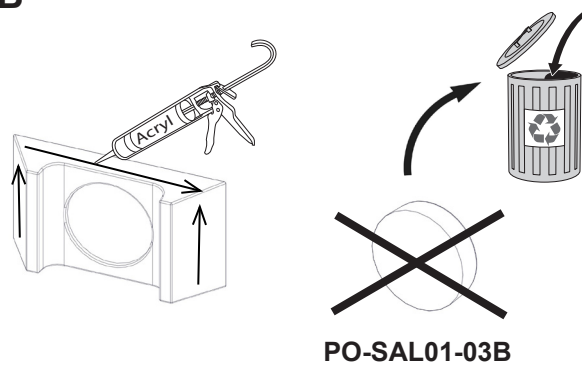
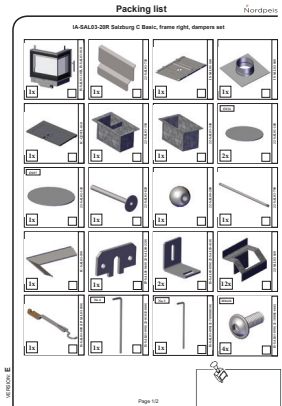
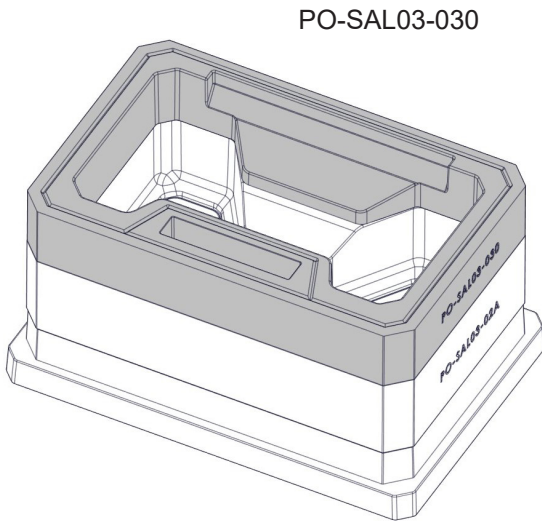


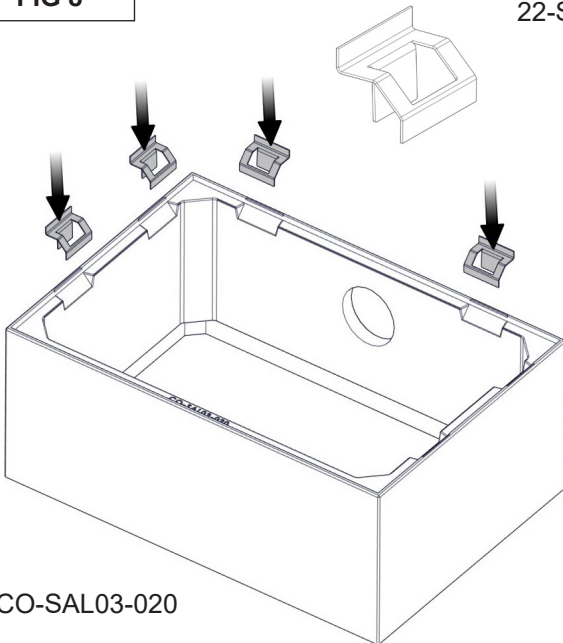
FIG 7



IA-SAL03-20R/L

FIG 8

22-SAL02-160 x4



| | |
|-----------|---|
| DE | Entfernen Sie die Perforation von der Oberfläche des Verkleidungselements, um die Hitzeschutzblech-Haken zu montieren. Nach der Montage sollte die Hakenoberfläche mit der Oberkante des Verkleidungselements abschließen. |
| FR | Retirez la partie en saillie de la surface de l'élément en béton afin de fixer les crochets de bouclier thermique. Après le montage, le dessus du crochet doit être de niveau avec le bord supérieur de la partie en béton. |
| GB | Remove protrusion from surface of concrete element in order to assemble each heat shield hook. After assembling, hook surface should be even with top edge of concrete part. |

CO-SAL03-020

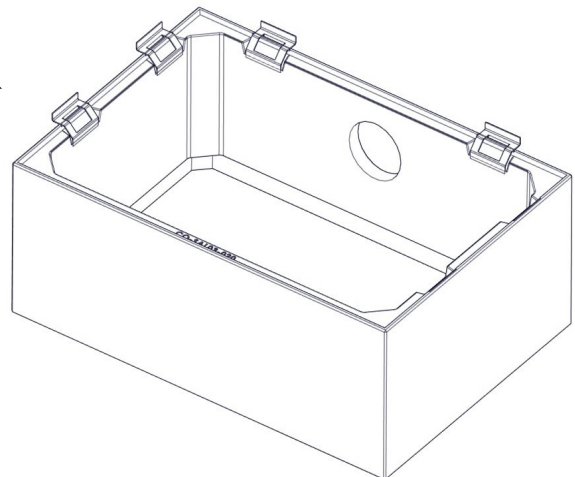
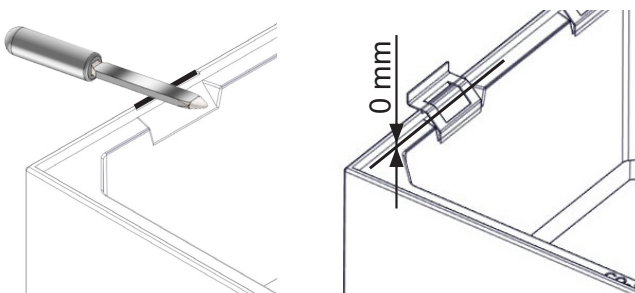
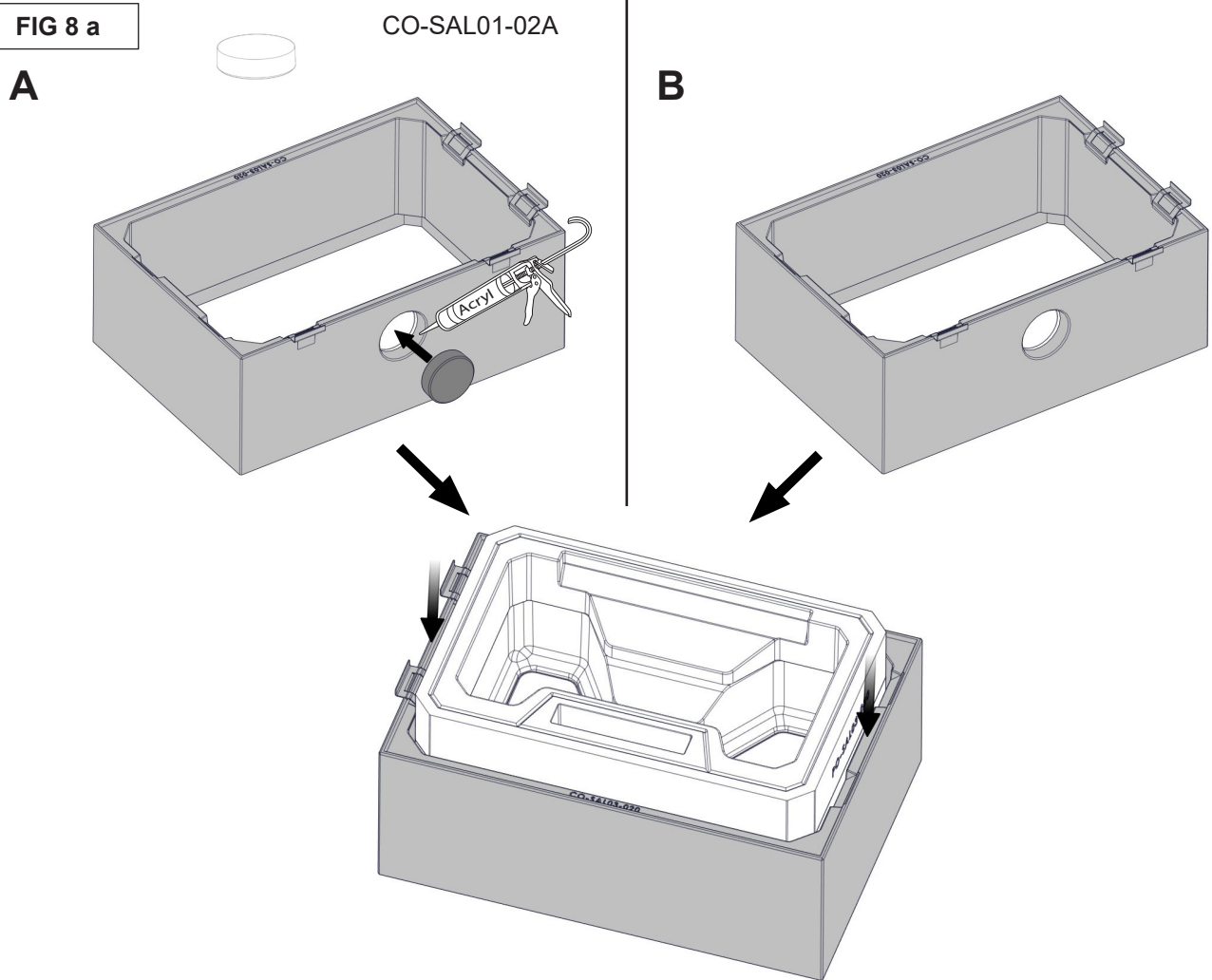


FIG 8 a



! Es ist wichtig, dass der innere Kern mittig im Verhältnis zur Verkleidung aufgestellt wird.

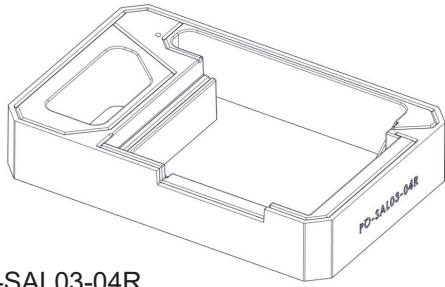
(DE) Der innere Kern muss im Lot aufgestellt werden und die Elemente dürfen sich nicht verschieben. Es muss ein Abstand von 6-10 mm Luft zwischen dem inneren Kern und der montierten Verkleidung bestehen.

! Il est important de centrer le noyau intérieur par rapport à l'entourage. Faire en sorte que

(FR) le noyau soit centrée après chaque couche de PowerStone™ Assurez-vous que le noyau interne est monté en parfait alignement avec chaque pièce du dessous, sans décalage. Il doit toujours y avoir un écart de 6-10 mm d'air entre le noyau interne et l'habillage.

(GB) NOTE! It is important to centre the inner core relative to the surround. Ensure that the core is centred after each shift of PowerStone™. Confirm that the inner core is assembled vertically, and that the layers are not offset relative to each other. There should be a 6-10 mm air gap between the inner core and the surround.

FIG 9



PO-SAL03-04R

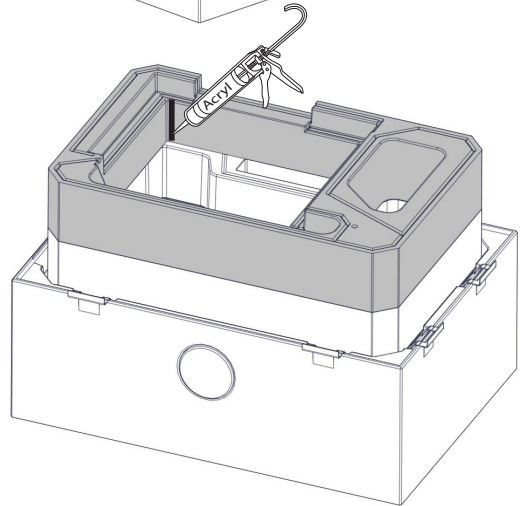
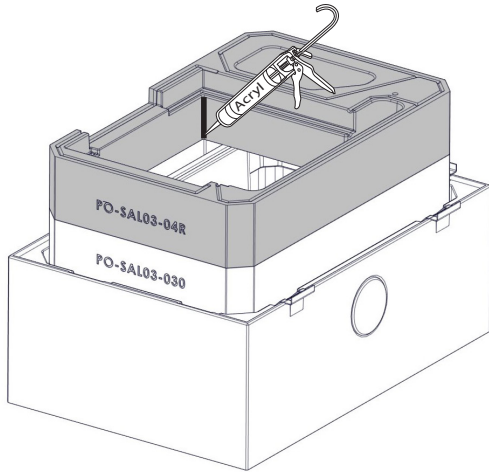
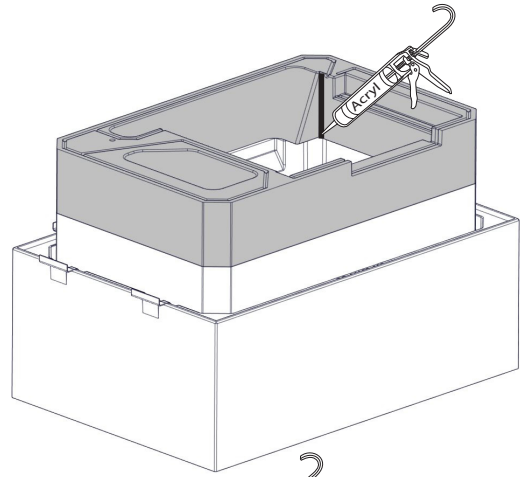
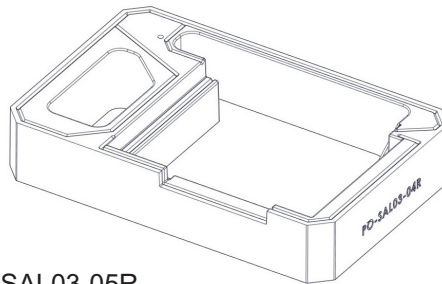


FIG 10



PO-SAL03-05R

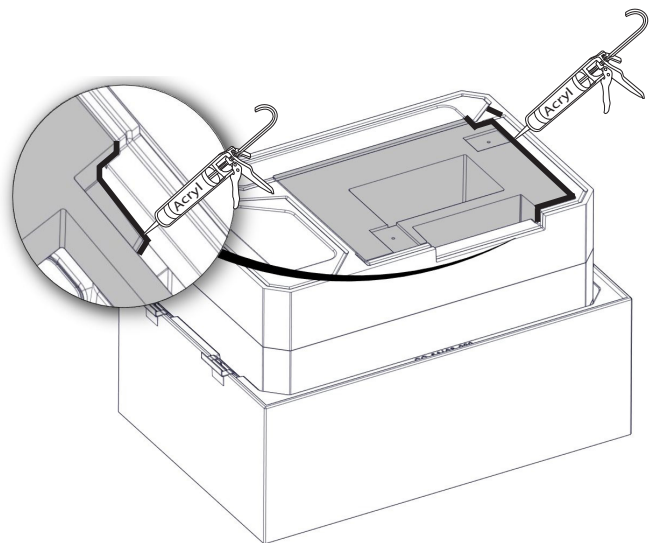
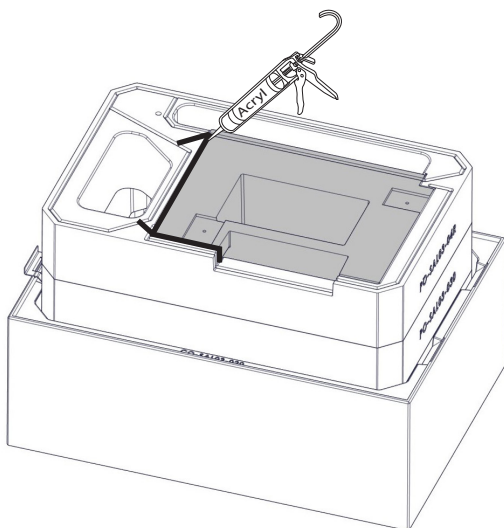


FIG 11

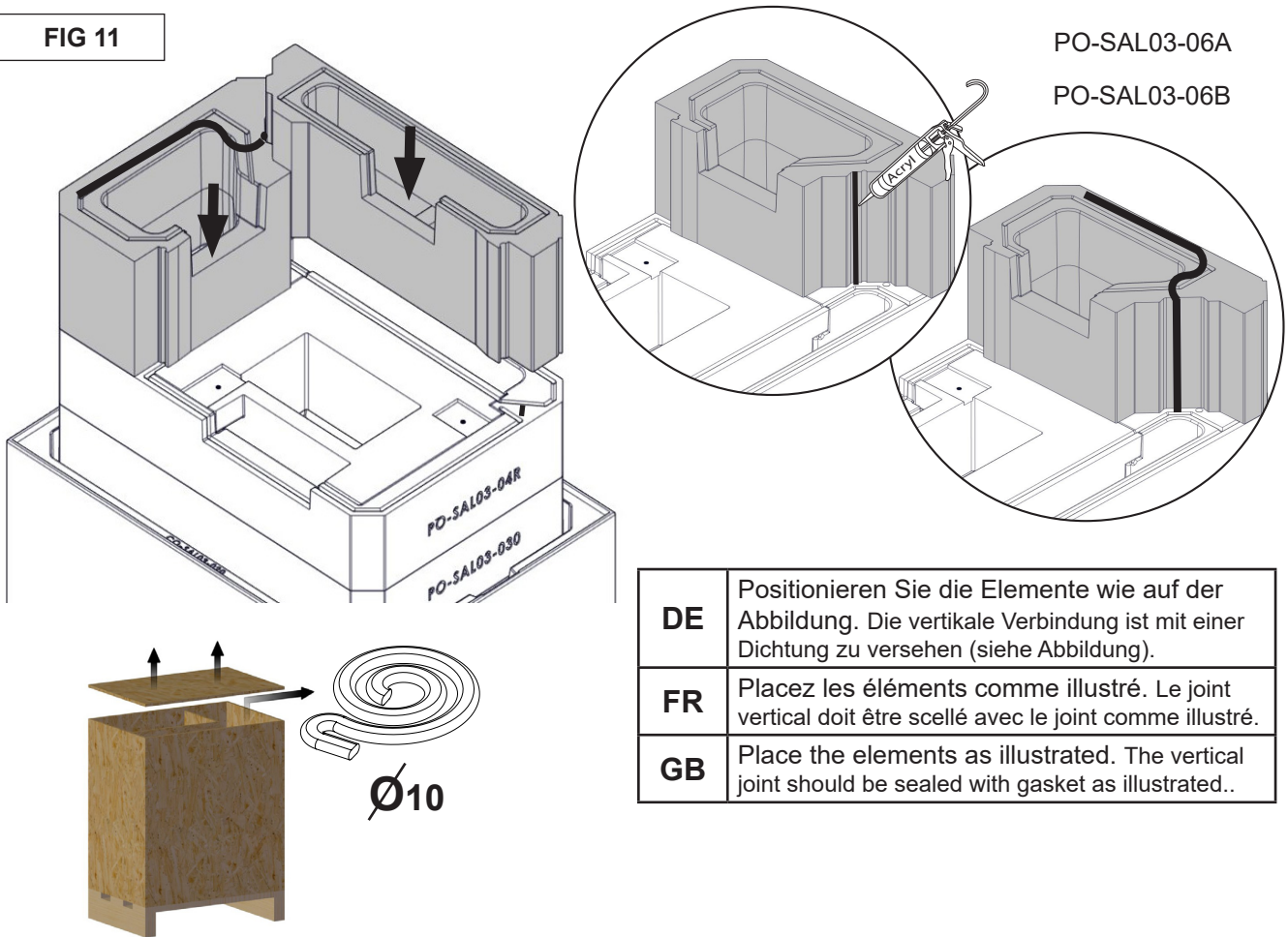


FIG 12

CO-SAL03-030

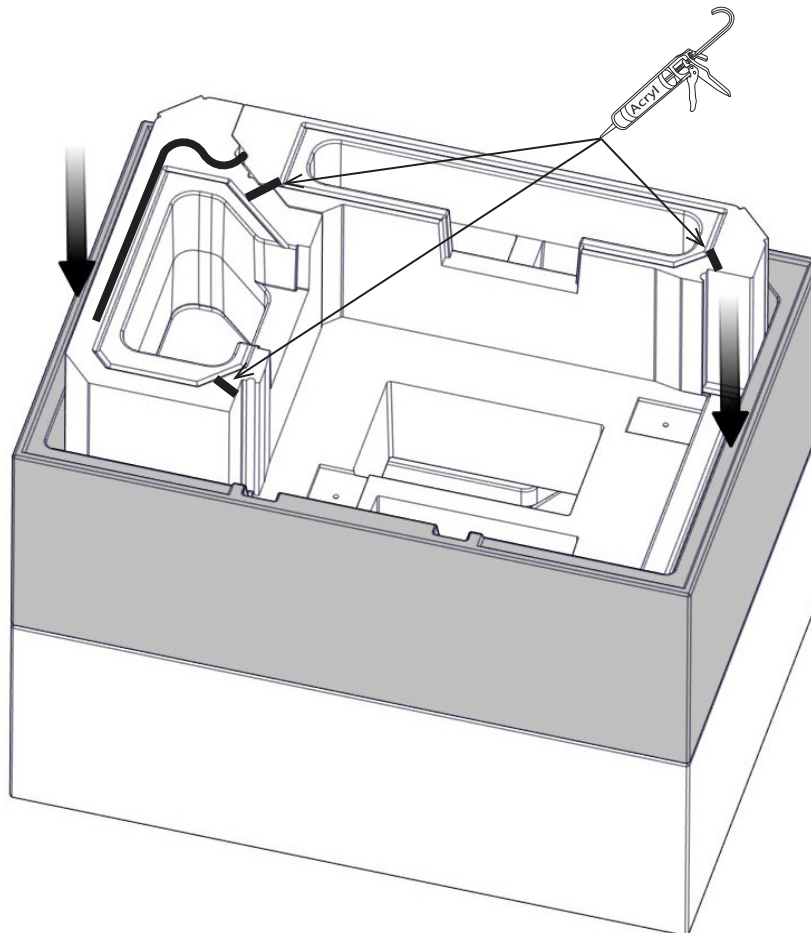


FIG 13

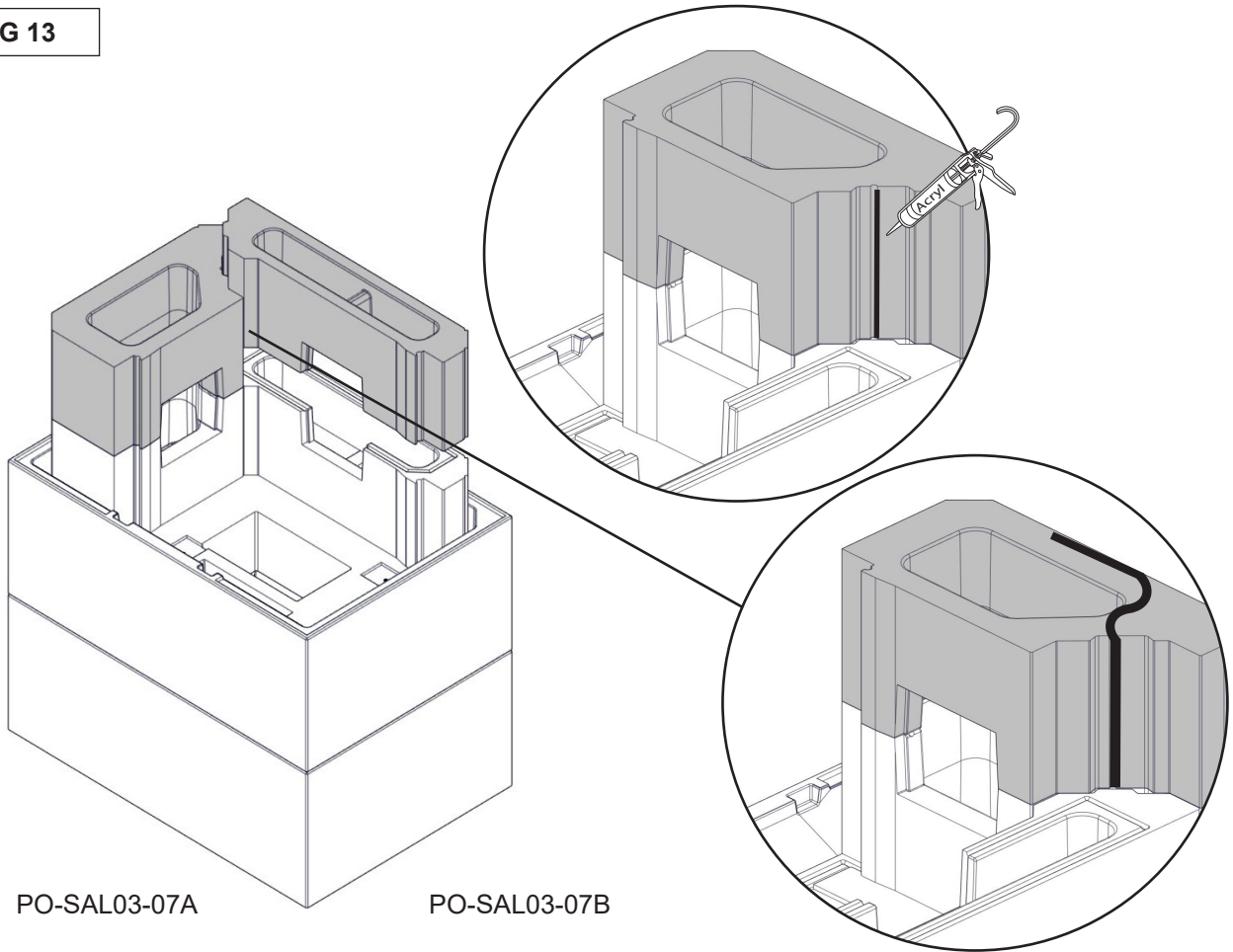


FIG 14

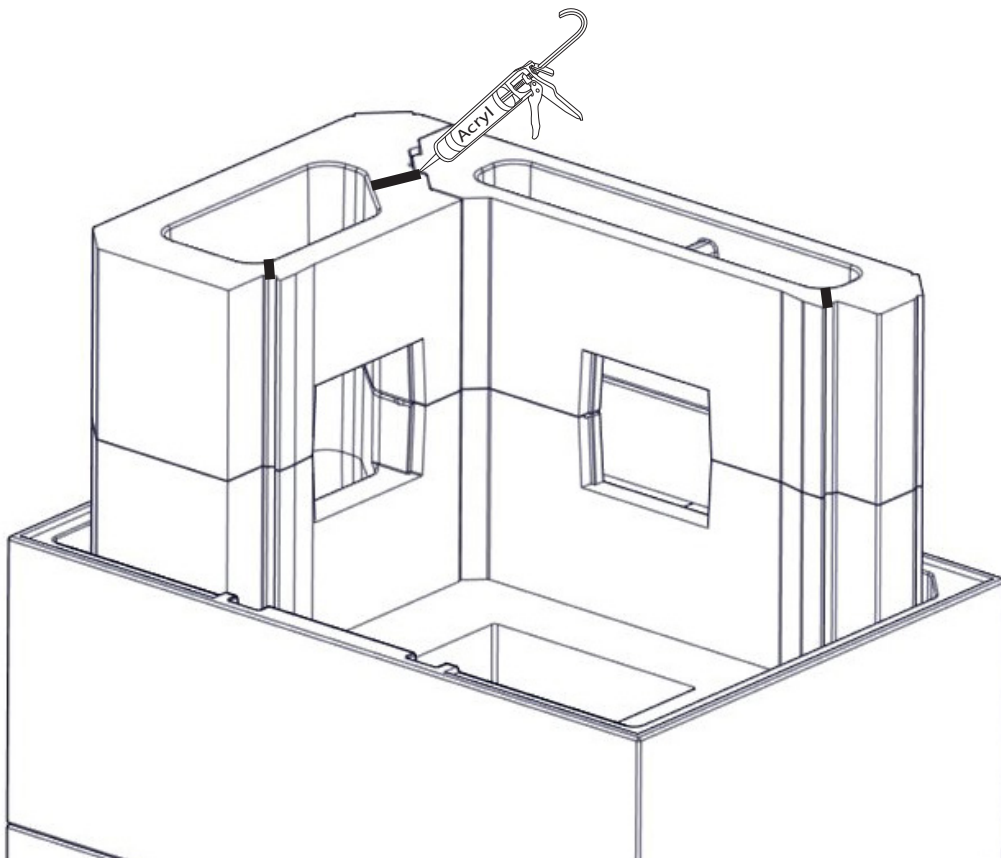
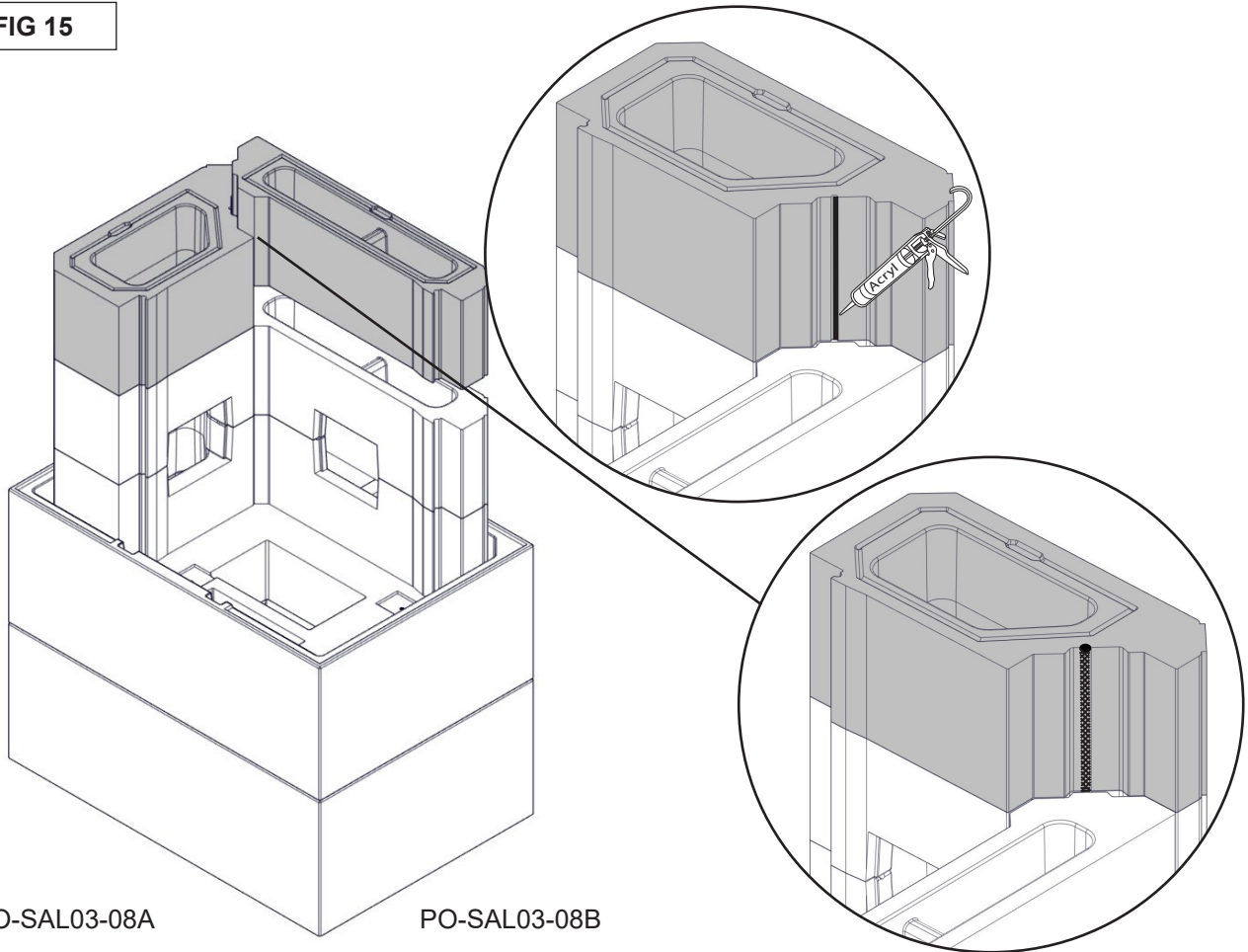


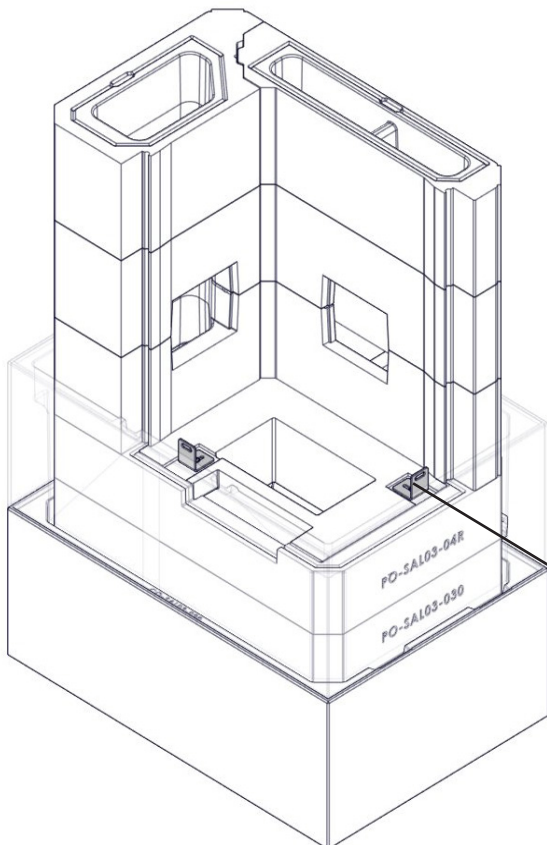
FIG 15



PO-SAL03-08A

PO-SAL03-08B

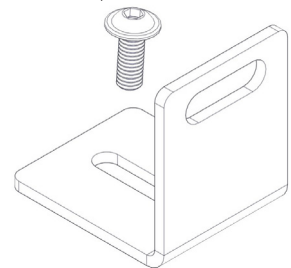
FIG 16



| | |
|-----------|---|
| DE | Bringen Sie die Befestigungselemente zunächst an der Unterseite an. Drücken Sie beide Befestigungsplatten maximal nach innen. |
| FR | Montez les fixations d'abord sur le fond. Poussez les deux plaques de fixation au maximum vers l'intérieur. |
| GB | Assemble fasteners initially to the bottom. Push both fastener plates maximally inward. |



21-30001-666 x2



22-SAL03-410 x2

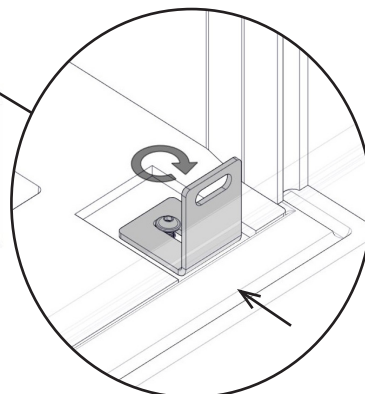
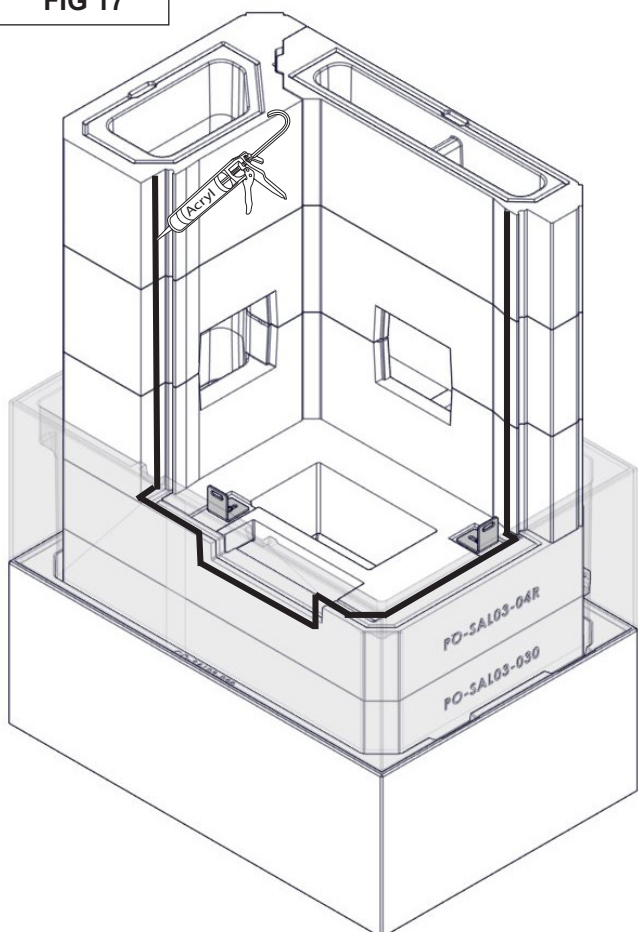
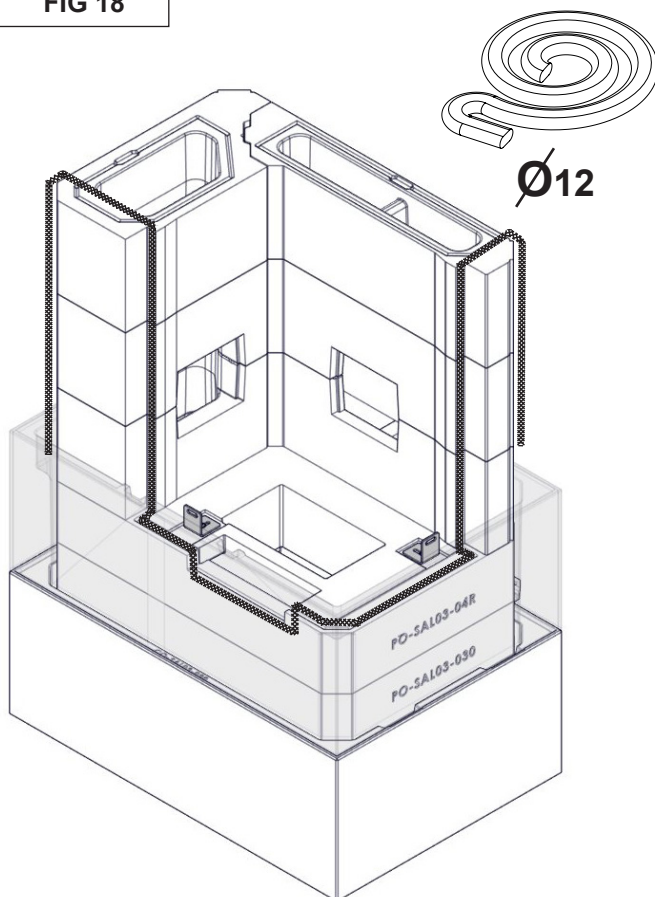


FIG 17



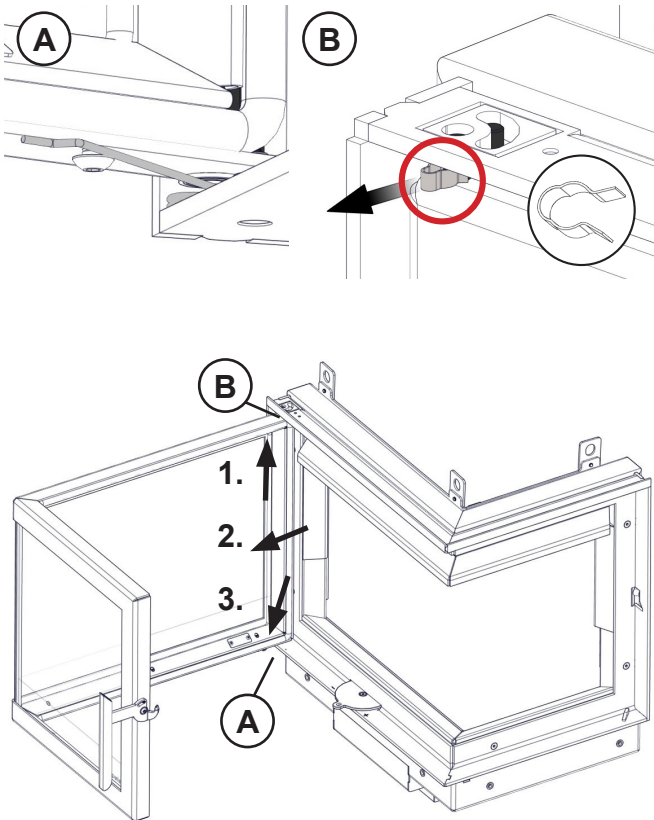
| | |
|-----------|---|
| DE | Bringen Sie Acryl in der Dichtungsnut an (siehe Abbildung). |
| FR | Placez la colle acrylique dans la rainure prévue pour le joint, comme illustré. |
| GB | Place acryl in groove for the gasket as shown on the picture. |

FIG 18



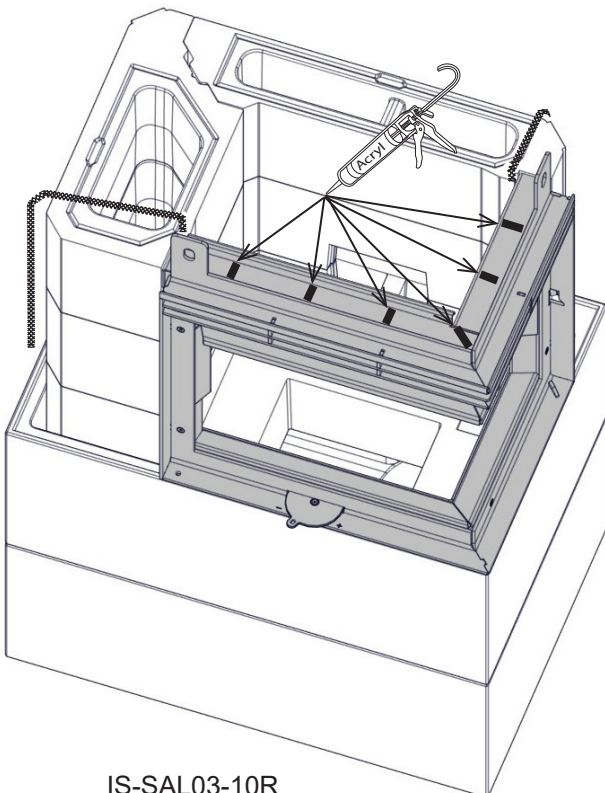
| | |
|-----------|---|
| DE | Die Dichtung wird mit dem mitgelieferten Acryl in die Aussparung des Innenkerns geklebt. Sie dichtet zwischen dem Rahmen der Feuerraumtür und dem inneren Kern ab. Ein guter Tipp: Finden Sie die Mitte der Dichtung und beginnen Sie in der Mitte der Aussparung unter dem Türrahmen. Damit gewährleisten Sie, daß die am oberen Teil des Rahmens sich zu überlappenden Enden gleich lang sind. |
| FR | Le joint qui sert à isoler l'encadrement de la porte avec le noyau interne doit être collé dans la fente prévue a cet effet avec l'acrylique qui est incluse. Un bon conseil est de trouver le milieu du joint et commencer de le placer au milieu de la fente en dessous du cadre de la porte. Ceci permet de s'assurer que les extrémités qui doivent se chevaucher au-dessus du cadre sont de même longueur. |
| GB | Glue the gasket that seals the door frame to the inner core in the slot with acrylic glue provided. Prepare the gasket as long that after gluing to the groove the both loose ends of gasket will overlap on the top of the frame. Place both ends of the gasket on the inner core, in such manner, which enable you assemble the frame in the next step. |

FIG 19



| | |
|-----------|--|
| DE | Wir empfehlen, die Tür während der Montage zu entfernen, damit sie nicht beschädigt wird. (A) Entnehmen Sie mit einer Zange das Ende der Feder, die hinter der Schraube an der Unterseite der Tür angebracht ist. (B) Entfernen Sie die Transportsicherung und heben Sie die Tür an (1) sowie von der Unterkante ab (2). Seien Sie vorsichtig, wenn die Tür vom Boden (3) abgehoben wird, damit der Rahmen nicht beschädigt wird |
| FR | Nous recommandons de retirer la porte lors du montage afin de ne pas l'endommager. (A) Utilisez des pinces pour saisir l'extrémité du ressort fixé derrière la vis, sur le bas de la porte. (B) Retirez le verrouillage de transport et soulevez la porte vers le haut (1) et l'écartez du bord inférieur (2). Soyez prudent lorsque la porte est dégagée du fond (3) afin de ne pas endommager le cadre. |
| GB | We recommend removing the door during assembly in order not to damage it. (A) Use pliers to take out end of the spring attached behind the screw on the bottom side of the door. (B) Remove the transportation lock and lift the door up (1) and out of the lower edge (2). Be careful when the door is pulled out from the bottom (3) as to not damaging the frame. |

FIG 20



IS-SAL03-10R

| | |
|-----------|--|
| DE | Positionieren Sie den Rahmen. Stellen Sie beim Einsetzen des Türrahmens sicher, dass die Dichtung an der vorgesehenen Position bleibt. Positionieren Sie die losen Dichtungsenden oben am Türrahmen. Tragen Sie Acryl zwischen den Dichtungen auf, bevor Sie ein neues Element platzieren. |
| FR | Placez le cadre en place. Lorsque vous placez le cadre de la porte, assurez-vous que le joint d'étanchéité demeure dans sa position prévue. Placez les extrémités du joint sur le haut du cadre de porte. Avant de placer un nouvel élément, appliquez de la colle acrylique entre les joints. |
| GB | Place the frame on its place. When placing the door frame, make sure the gasket stays in its intended position. Place the loose ends of the gasket on the door frame top. Before placing new element apply acryl between gaskets. |

FIG 20 a

| | |
|-----------|---|
| DE | Die Positionierung der losen Dichtungsenden an beiden Kanten des oberen Türrahmens geht aus der Detailzeichnung hervor. |
| FR | Placez les extrémités du joint sur le cadre de porte comme indiqué sur le schéma, dans les deux coins. |
| GB | Loose ends of the gasket on the door frame top place in a way shown on detailed drawing at both corners. |

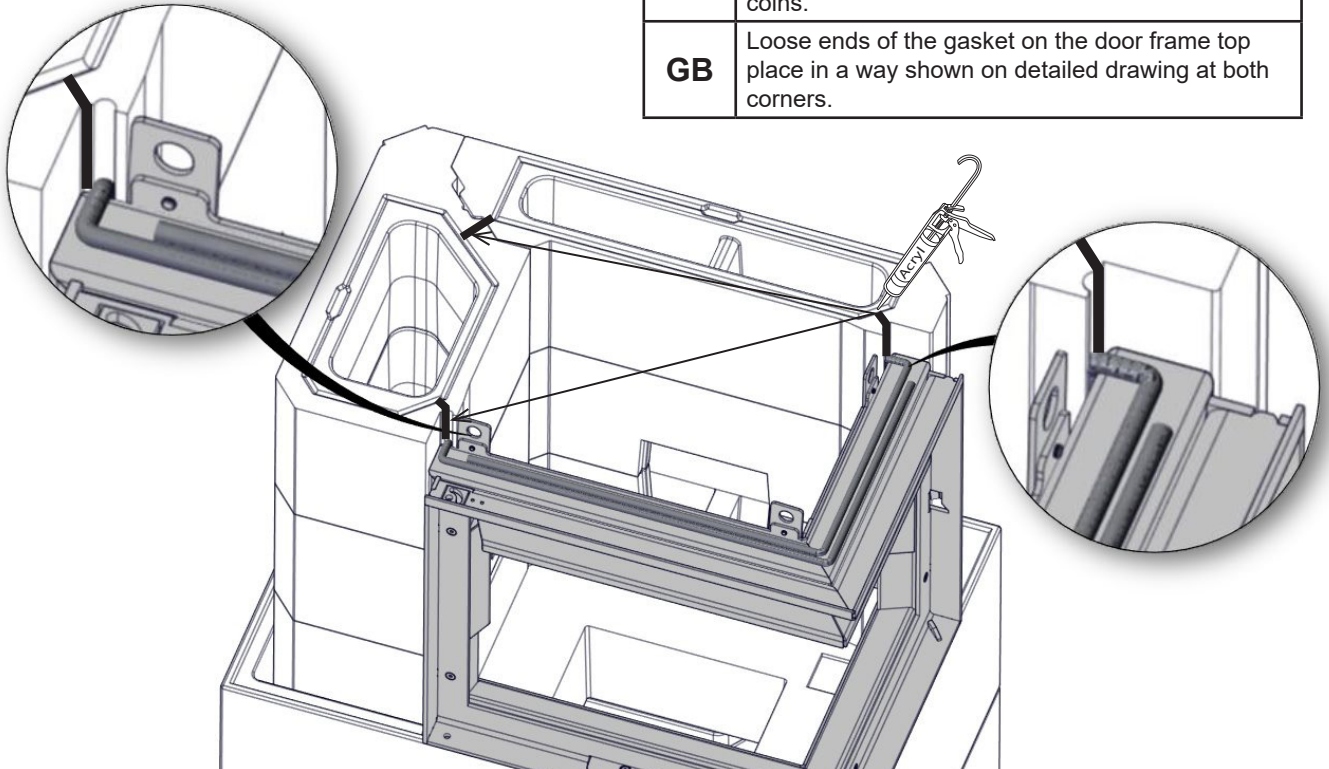
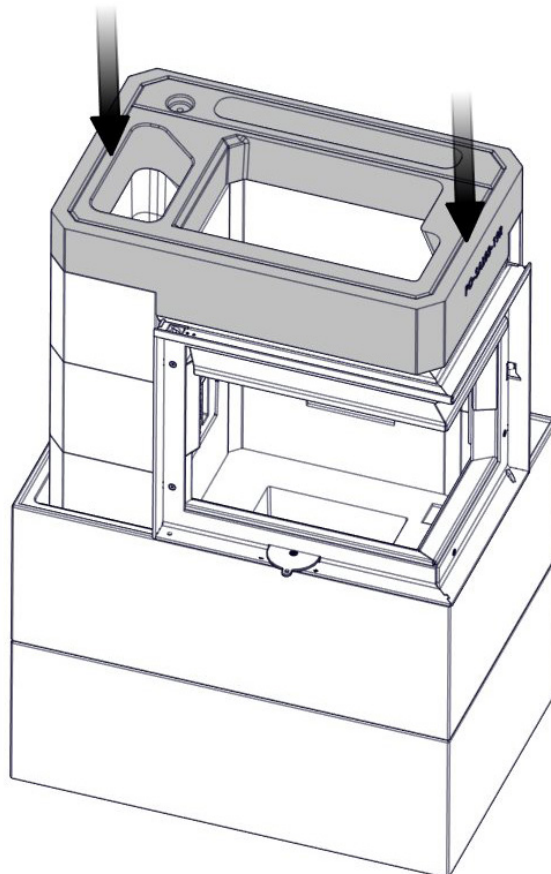
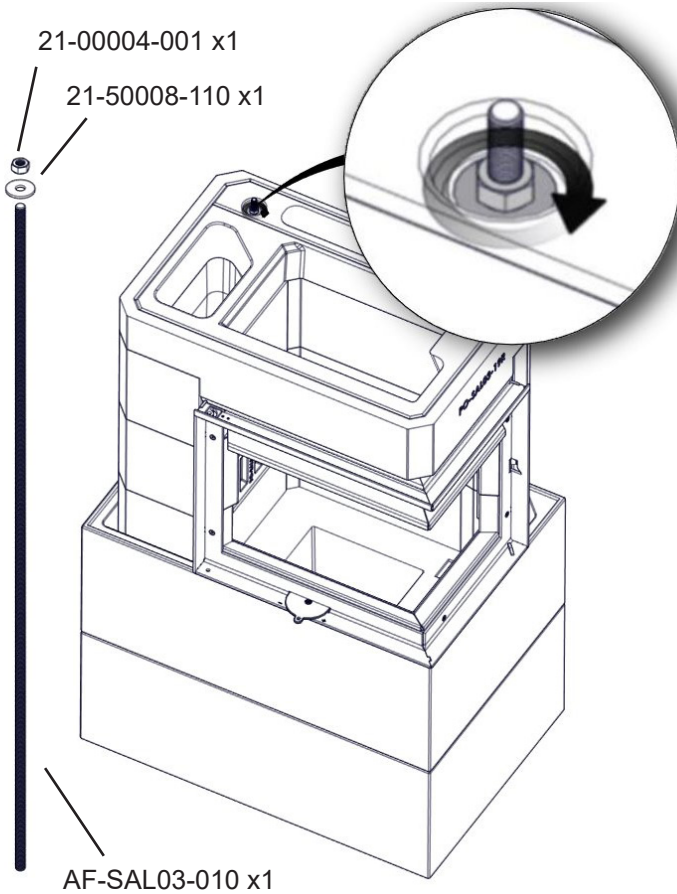


FIG 21

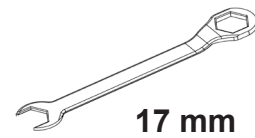


PO-SAL03-19R

FIG 22



| | |
|-----------|--|
| DE | Nutzen Sie die Befestigungsstange, um die montierten Power Stone-Schichten zu komprimieren. Befestigen Sie die Schraube mit einem Schraubendreher. Prüfen Sie die Position mit einer Messvorrichtung. Stellen Sie sicher, dass das Element eben ausgerichtet ist. Eine Anpassung ist durch Anziehen oder Lösen der Befestigungsstange möglich. |
| FR | Utilisez la tige de fixation pour assembler les couches de Powerstone. Utilisez un tournevis pour serrer la vis. Vérifiez la position à l'aide de l'instrument de mesure de niveau. Assurez-vous que l'élément est de niveau. Le niveau peut être réglé en serrant ou en desserrant la tige de fixation. |
| GB | Use fastening rod to draw together assembled powerstone layers. Use screwdriver to fasten the screw. Check position by level measuring tool. Ensure the element is level. This can be adjusted by tightening or loosening the fastening rod. |



17 mm

FIG 23

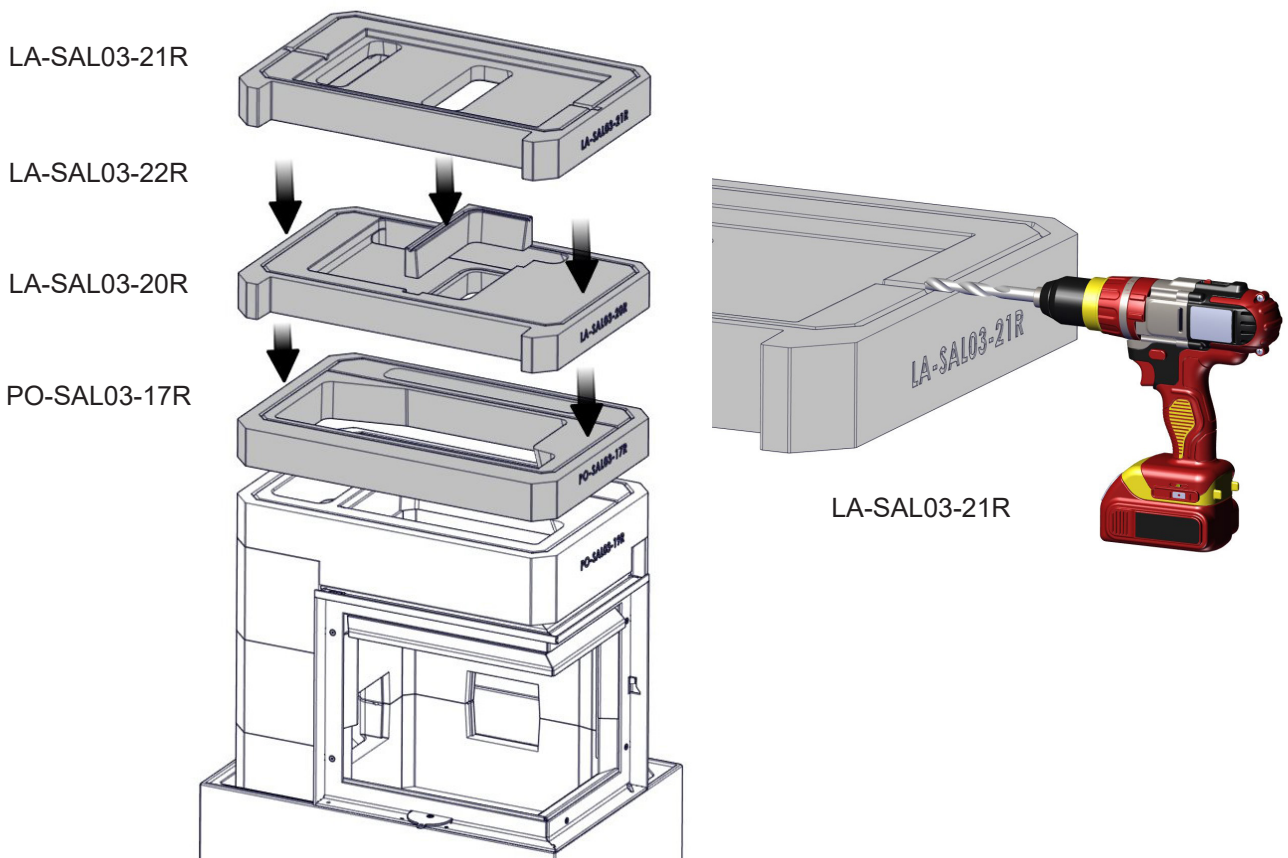


FIG 24

IS-SAL01-140

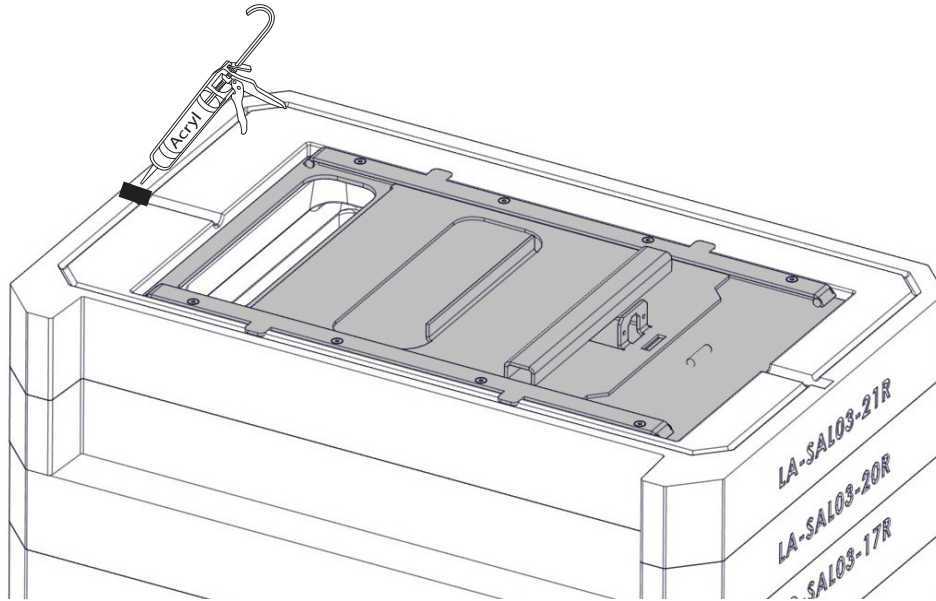
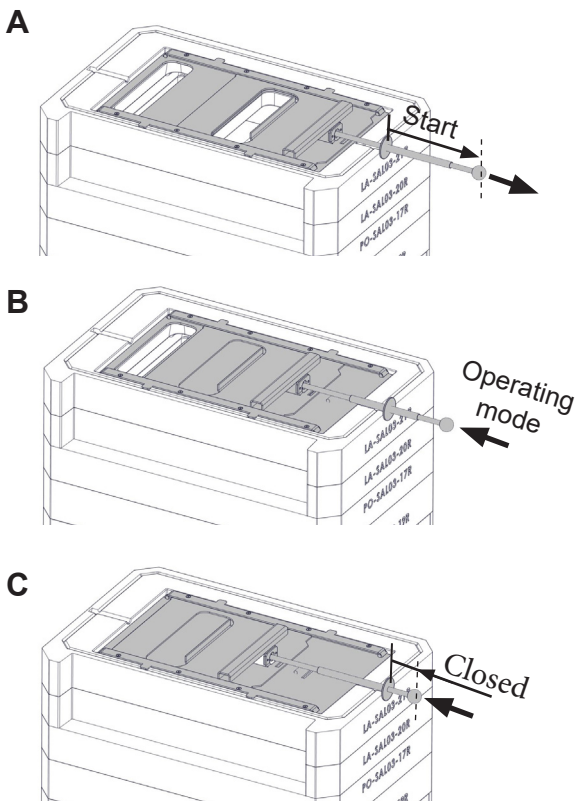


FIG 24 a

DAMPER ROD TO BE FIXED LATER
TIGE DU RÉGULATEUR DE TIRAGE À INSTALLER ULTÉRIEUREMENT
KLAPPENSTANGE WIRD SPÄTER IN ORDNUNG GEBRACHT



| | |
|----|---|
| GB | <p>A. Lever pulled out to maximum - Ignition mode. B. Lever in the middle - Normal mode - the inner core is accumulating heat. Attention! When moving lever to this position a slight resistance can be felt. C. Lever pushed in to maximum - Heat retaining mode. Close the damper when the last flames have died.</p> |
| FR | <p>A. Levier tiré au maximum - Mode allumage. B. Levier au centre - Mode normal - le cœur du poêle accumule de la chaleur. Attention ! Une légère résistance peut être ressentie lors du déplacement du levier dans cette position. C. Levier rentré au maximum - Mode rétention de chaleur. Fermer le registre lorsque le feu est complètement éteint.</p> |
| DE | <p>A. Hebel maximal herausgezogen – Zündungsposition. B. Hebel in der Mitte – Normalmodus - innerer Kern speichert Wärme. Achtung! Beim Bewegen des Hebels in diese Position ist ein leichter Widerstand zu spüren. C. Hebel maximal hineingeschoben – Wärmespeichermodus. Schließen Sie die Klappe, wenn die letzten Flammen erloschen sind.</p> |

FIG 25

PO-SAL03-150 x2

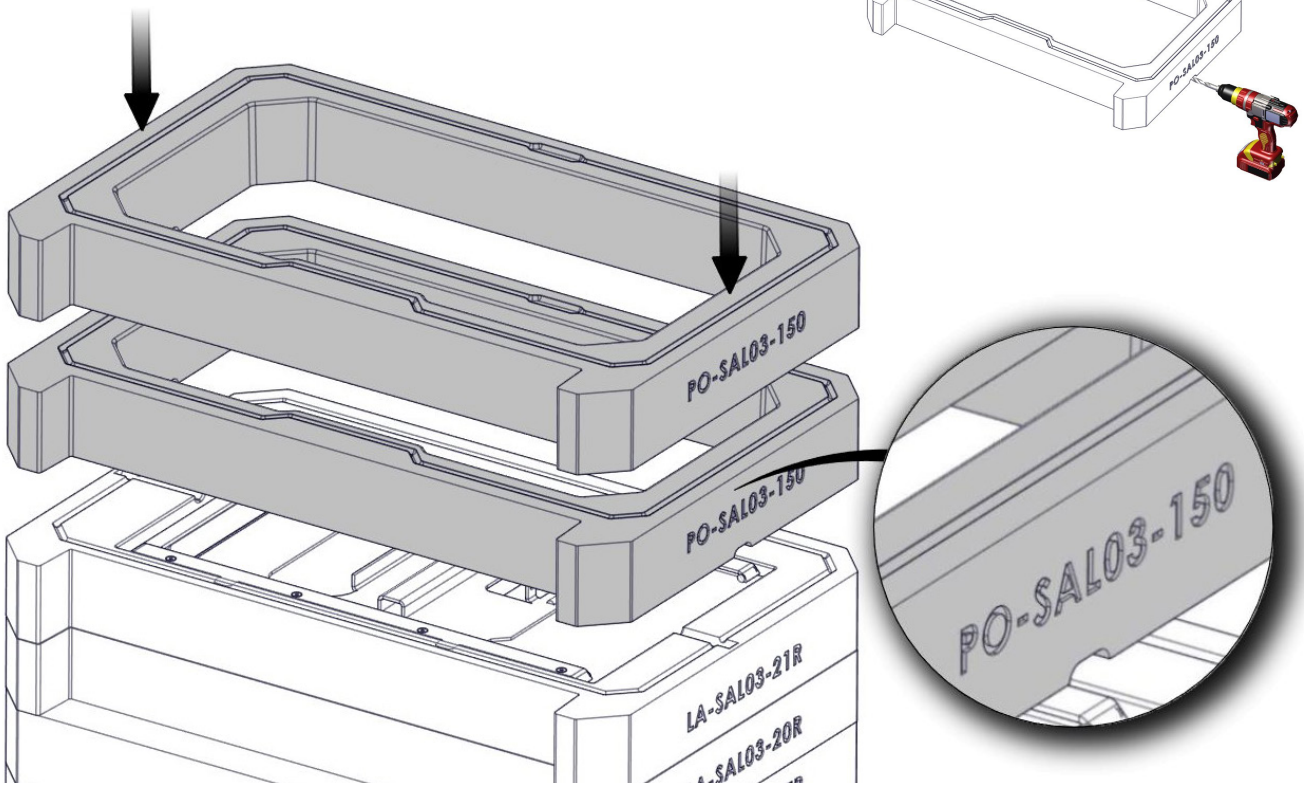
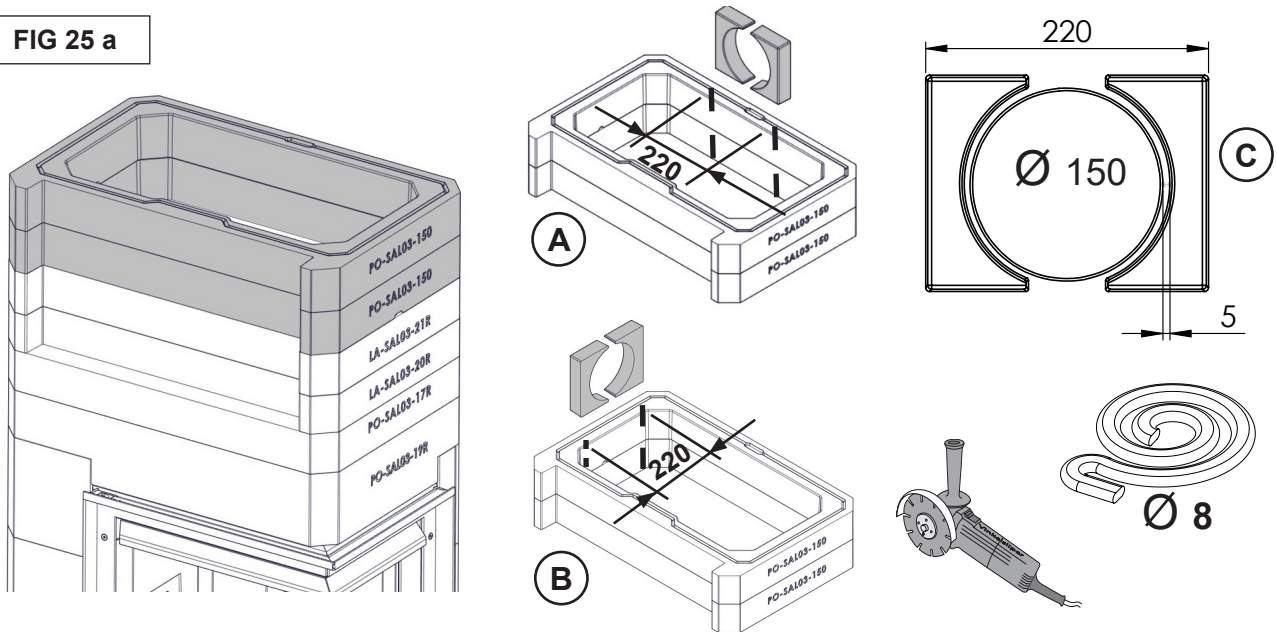
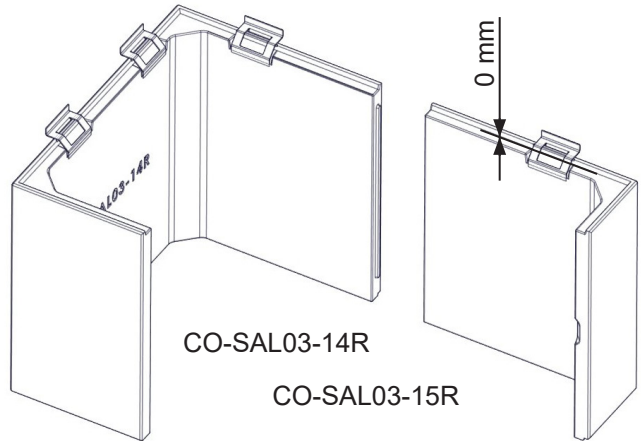
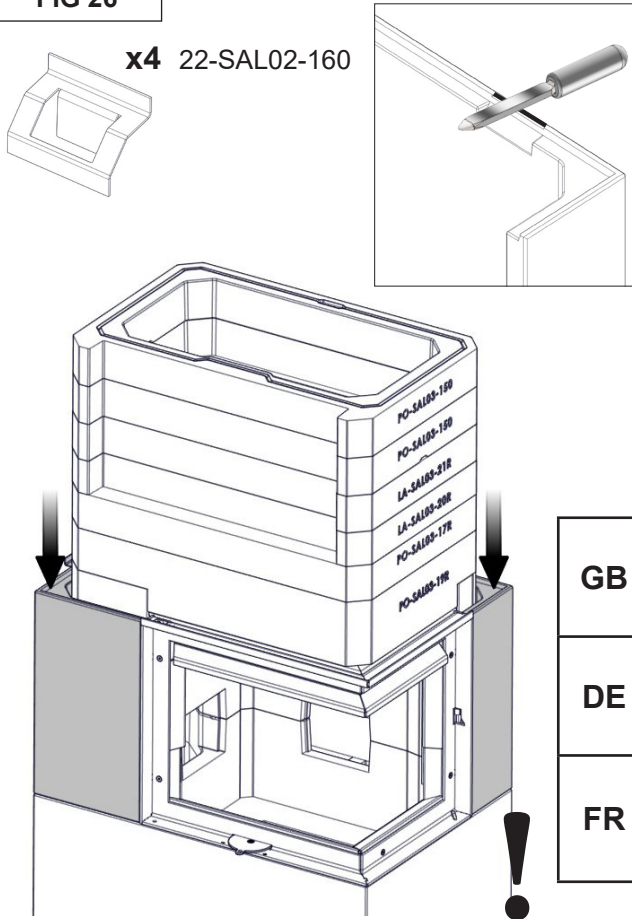


FIG 25 a



| | |
|------------------|---|
| <p>GB</p> | <p>Depending on the product being connected through the rear (A) or side (B) connection, use a suited tool an make a cut in the Powerstone element. Make sure the cut is wide enough (C). Glue the small Powerstone fittings to the element using stove cement or similar. The gap between the smokepipe and the fittings needs to be sealed with a gasket.</p> |
| <p>FR</p> | <p>En fonction du type de raccordement de l'appareil, par l'arrière (A) ou par le côté (B), utilisez un outil approprié et réalisez une découpe dans l'élément en Powerstone. Assurez-vous que la découpe soit suffisamment large (C). Fixez les petits raccords Powerstone à l'élément à l'aide de ciment réfractaire ou similaire. Le jeu entre le conduit de fumée et les raccords doit être scellé avec un joint.</p> |
| <p>DE</p> | <p>Je nachdem, ob das Produkt an der Rückseite (A) oder Seite (B) angeschlossen wird, stellen Sie mit einem geeigneten Werkzeug einen Ausschnitt im Power Stone-Element her. Vergewissern Sie sich, dass der Ausschnitt breit genug ist (C). Verkleben Sie die kleinen Power Stone-Anschlusselemente mit Ofenkitt oder ähnlichem am Power Stone- Element. Der Spalt zwischen Rauchgasrohr und Beschlägen muss mit einer Dichtung verschlossen werden.</p> |

FIG 26



| | |
|-----------|--|
| GB | Confirm that the inner core is assembled vertically, and that the layers are not offset relative to each other. There should be a 6-10 mm air gap between the inner core and the surround. |
| DE | Stellen Sie sicher, dass der innere Kern senkrecht ist und die Schichten nicht zueinander versetzt sind. Zwischen dem inneren Kern und der Einfassung sollte sich ein Luftspalt von 6-10 mm befinden. |
| FR | Vérifier que le noyau interne est monté verticalement et que les couches ne sont pas décalées l'une par rapport à l'autre. Il doit y avoir un espace de 6 à 10 mm entre le foyer intérieur et l'habillage. |

FIG 27

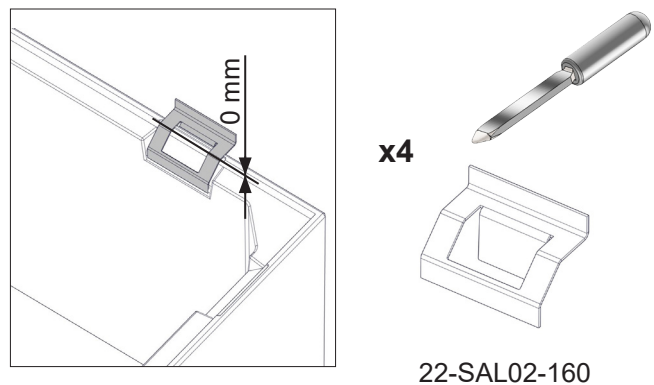
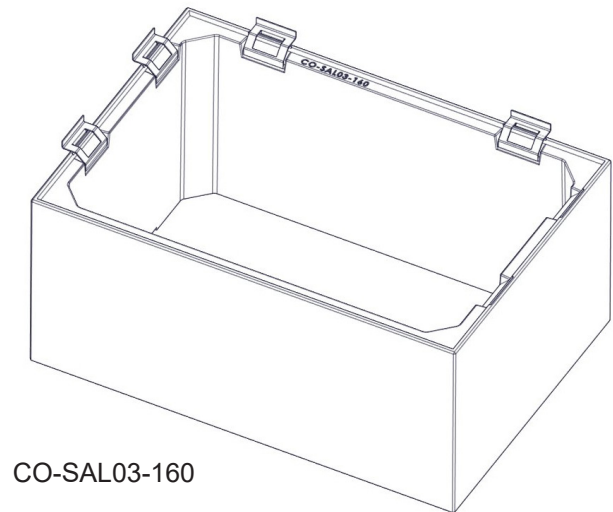
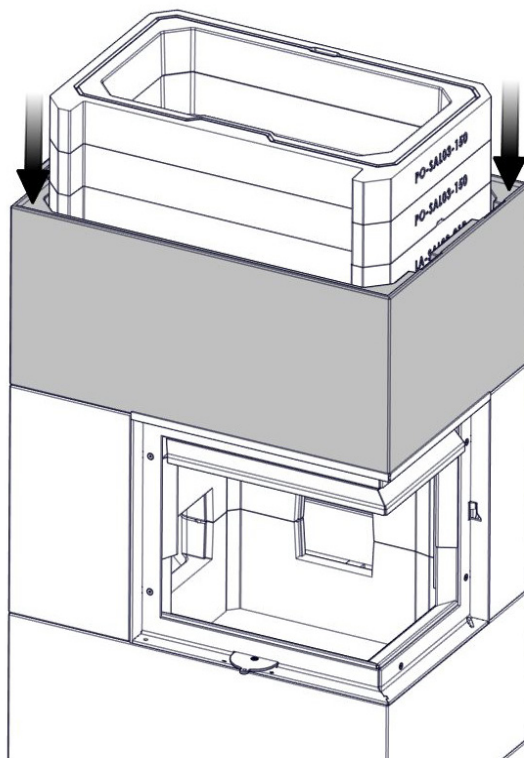


FIG 28

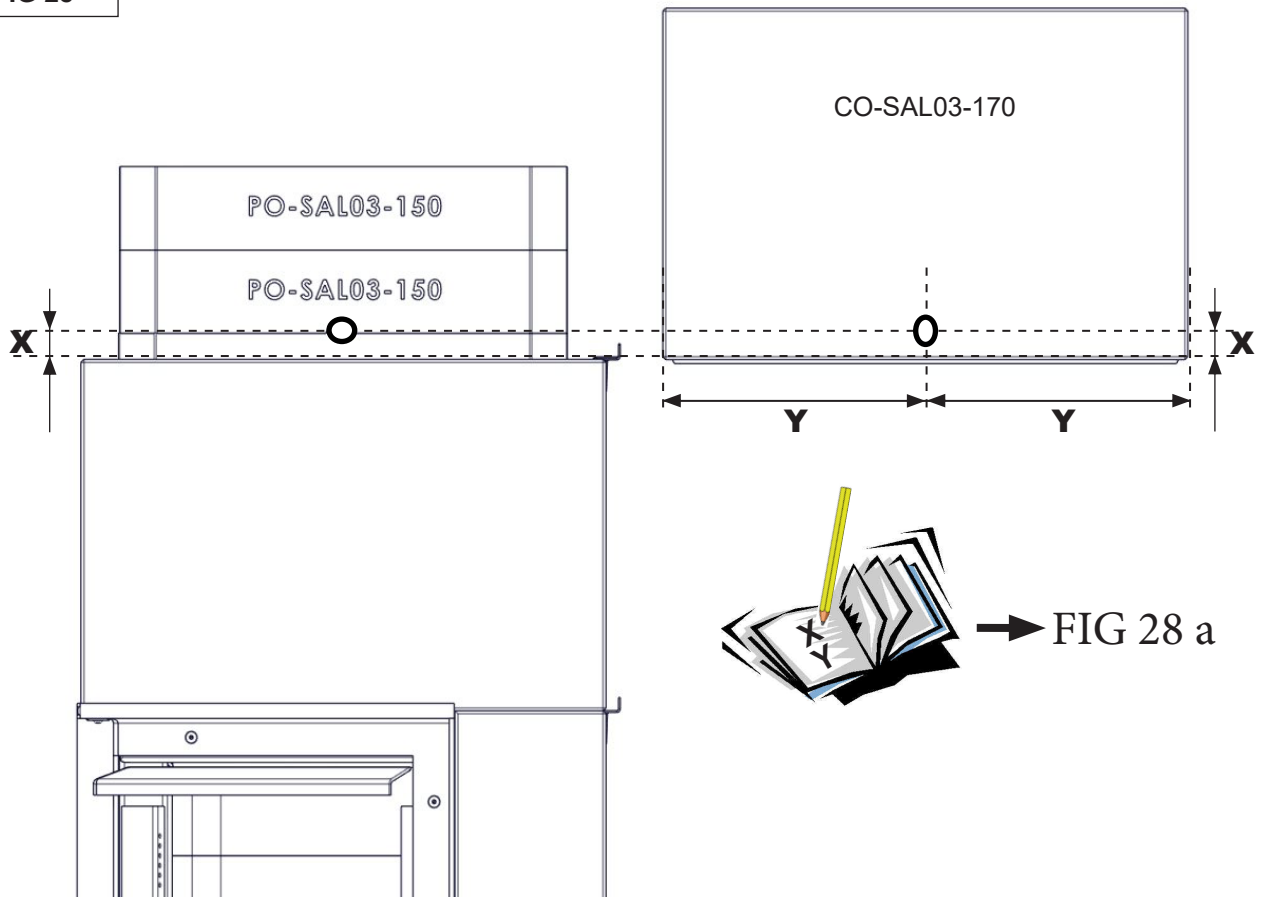
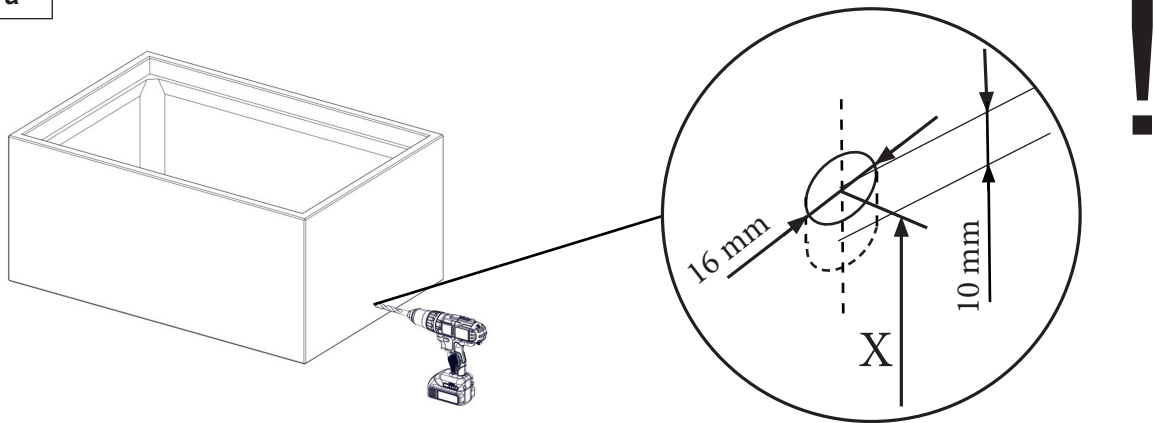
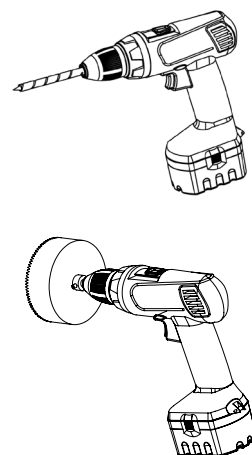
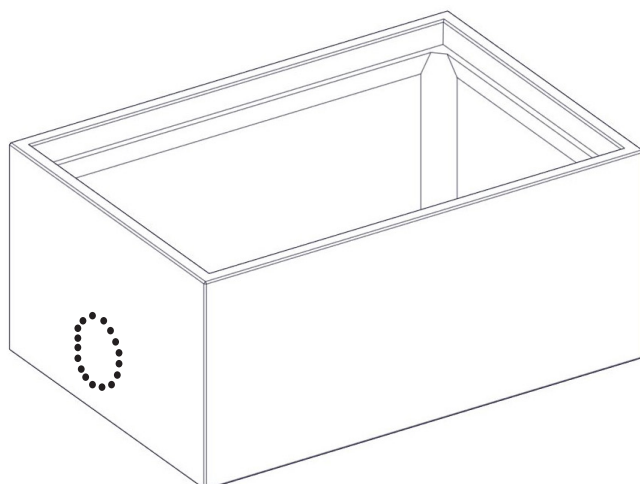


FIG 28 a



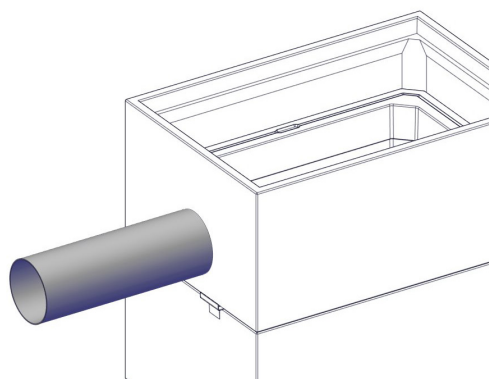
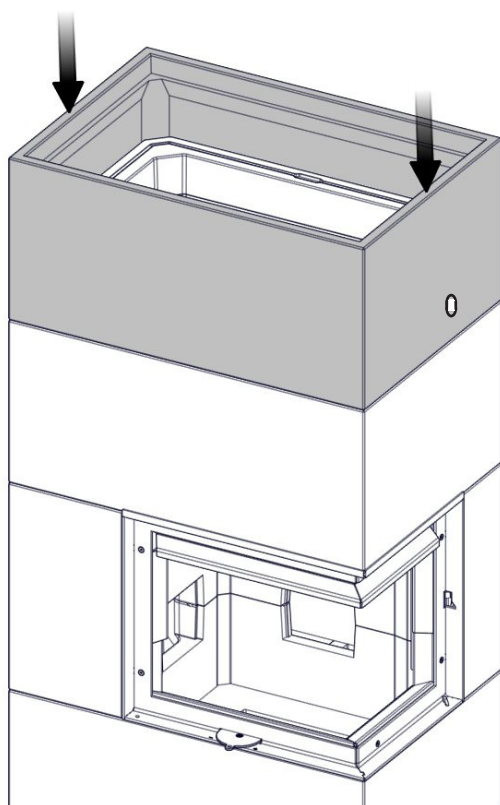
| | |
|------------------|---|
| <p>GB</p> | <p>Measure position for the damper rod and drill a $\varnothing 16$ mm hole. See also remarks on FIG 28. Attention! The gaskets between the core elements will sink a little after assembly. It is important to extend the hole 10 mm downwards when drilling in order to avoid that the damper wedge.</p> |
| <p>FR</p> | <p>Mesurez la position pour la tige de commande du registre et percez un trou de $\varnothing 16$ mm. Voir également les remarques à la Fig. 28. NB! Les joints entre les éléments de noyau va couler un peu après le montage. Pour éviter que les tiges ne se coincent, il est nécessaire de couper / percer à environ 10 mm en dessous du trou qui est fait pour le bras du clapet.</p> |
| <p>DE</p> | <p>Messen Sie die Position für die Klappenstange und bohren Sie ein Loch mit $\varnothing 16$ mm. Siehe auch Hinweise zu Abb. 28. Merke: Nach der Montage werden sich die Dichtungen zwischen den Powerstone Elementen etwas setzen. Um zu verhindern, daß der Hebel der Ofenrohrklappe klemmt, fräsen Sie das Loch in der Verkleidung 10mm nach unten.</p> |

FIG 28 b



| | |
|-----------|---|
| DE | Wenn das Produkt horizontal an den Schornstein angeschlossen werden soll (seitlich oder hinten), messen Sie die Position und stellen Sie eine Öffnung für den Schornsteinanschluss her. Bedenken Sie, dass sich der innere Power Stone-Bereich im Betrieb setzt bzw. vertikal absinkt. Halten Sie zwischen Rauchrohr und Verkleidung einen Abstand von +/- 10 mm ein. |
| FR | Lorsque le produit est prévu pour être raccordé au poêle dans le sens horizontal - soit sur le côté ou par l'arrière, mesurez et découpez un trou pour le raccord de cheminée. Rappelez-vous que le foyer en Powerstone se tasse/descend lorsque le poêle est utilisé. Maintenez une distance entre le conduit de fumées et le béton de +/- 10 mm. |
| GB | When product is intended to be connected to the chimney horizontally - either side or back, measure and cut out one hole for chimney connector. Remember that the Powerstone core sets/sinks vertical during usage. Keep a distance between the smokepipe and the concrete of +/- 10mm. |

FIG 28 c



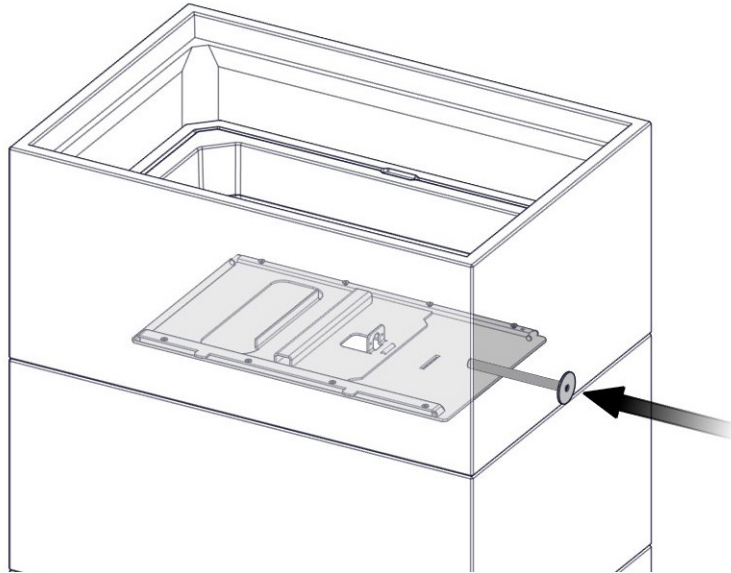
Place the smokepipe. Before placing the next Powerstone, make sure the connection between the Powerstone and the smokepipe is sealed. The flue pipe should be flush with the inside of the Powerstone.

Montez le conduit de fumée. Avant de placer l'élément en Powerstone suivant, assurez-vous que la raccordement entre le Powerstone et le conduit de fumée est scellé. Le conduit de fumée doit être aligné avec l'intérieur de la Powerstone.

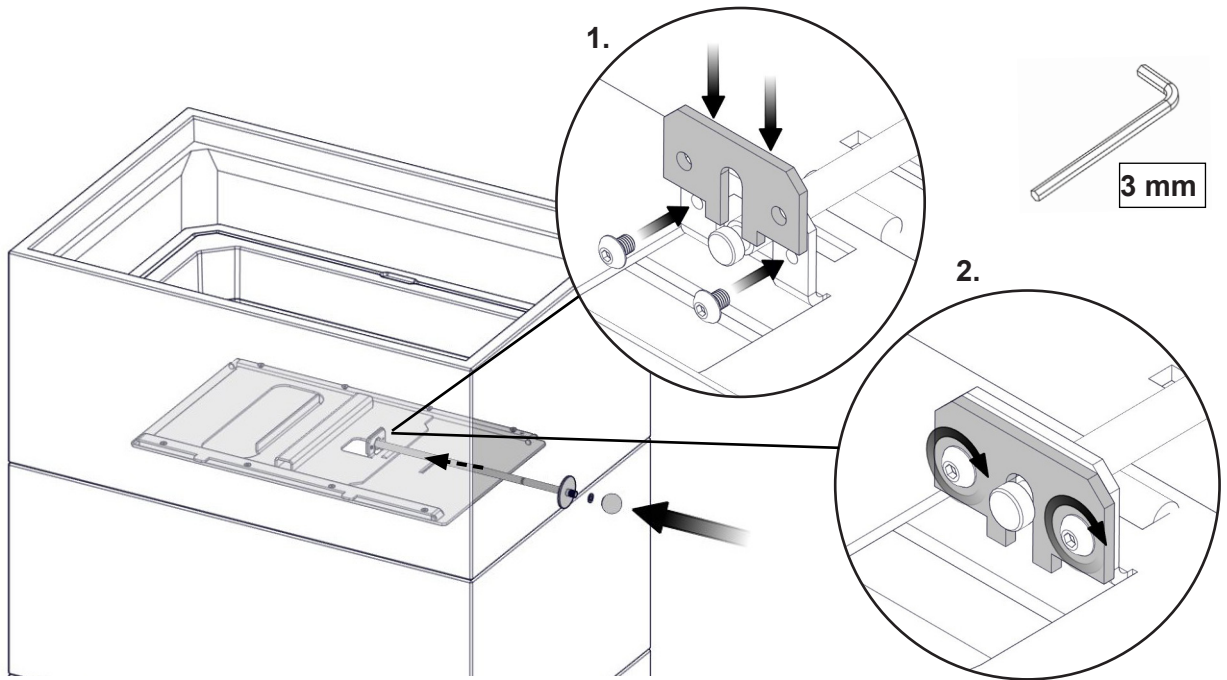
Positionieren Sie das Rauchrohr. Vergewissern Sie sich vor dem Positionieren des nächsten Power Stone-Elements, dass die Verbindung zwischen Power Stone und Rauchrohr abgedichtet ist. Das Rauchgasrohr sollte bündig mit der Innenseite des Powerstone abschließen.

FIG 29

A



B



C

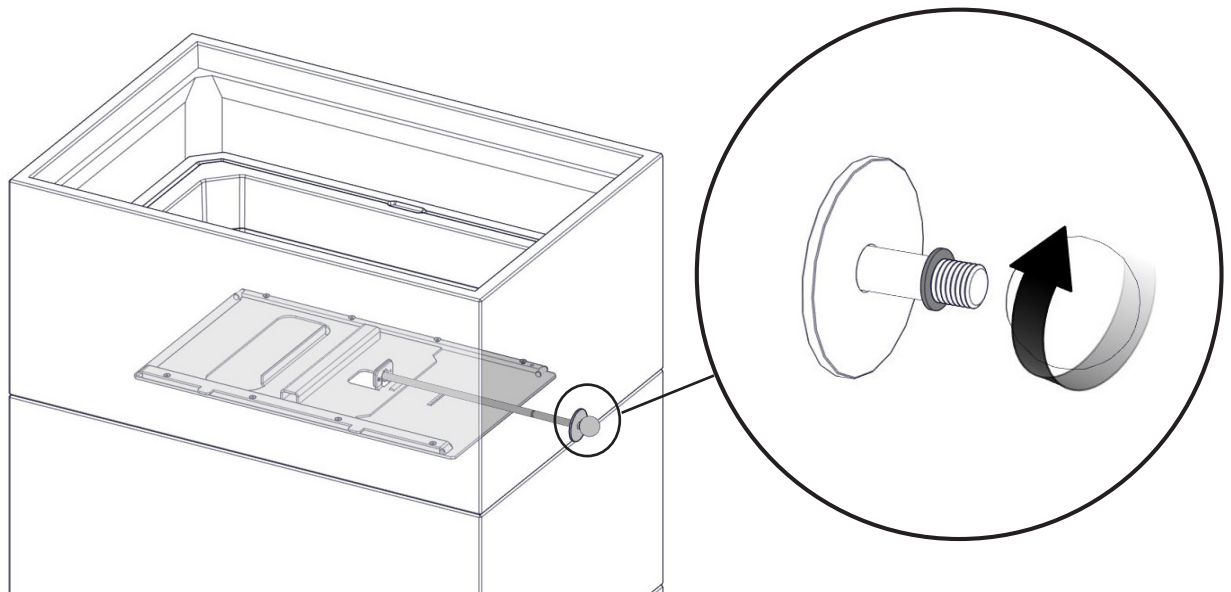


FIG 30

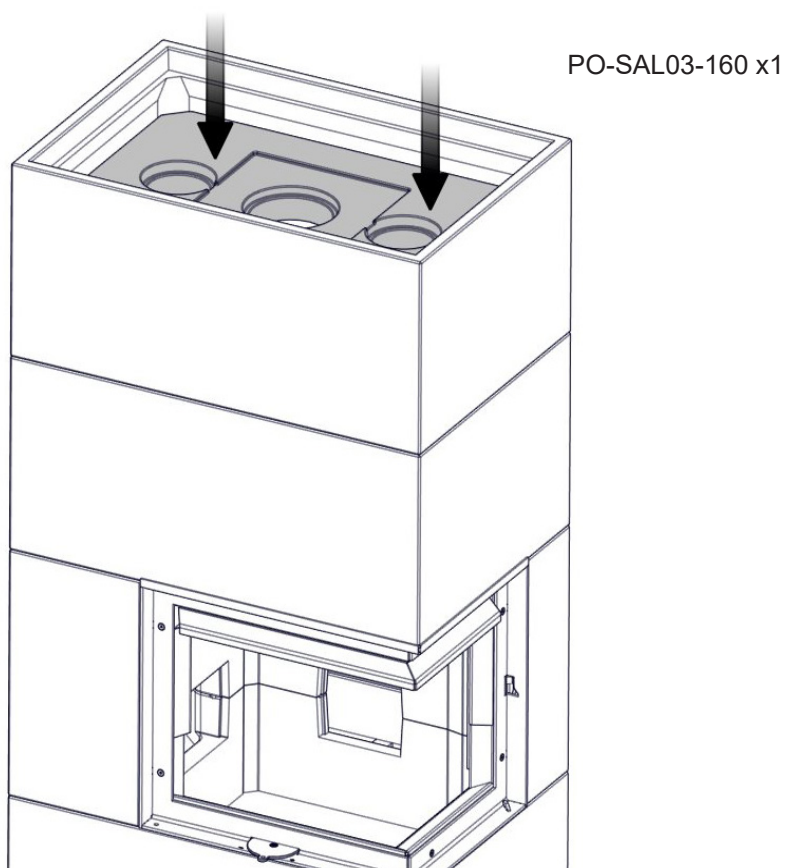


FIG 31

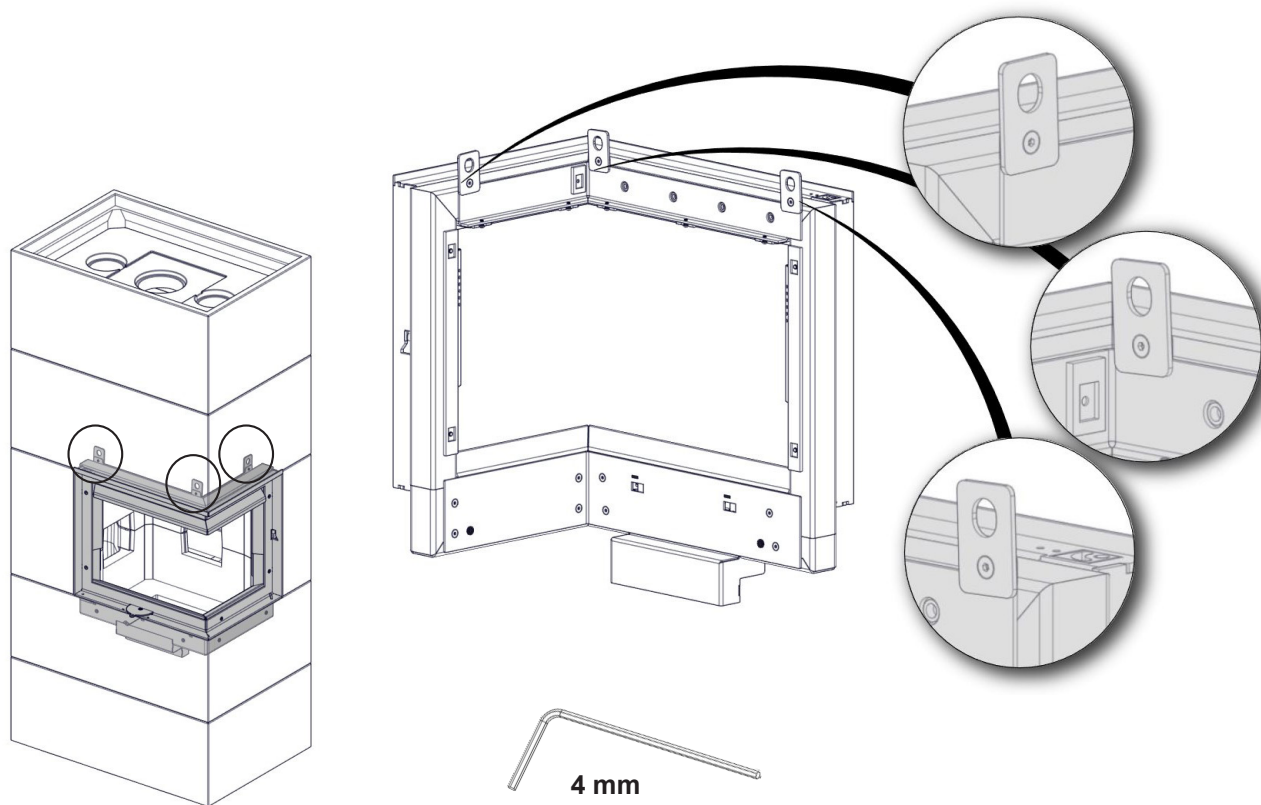


FIG 31 a

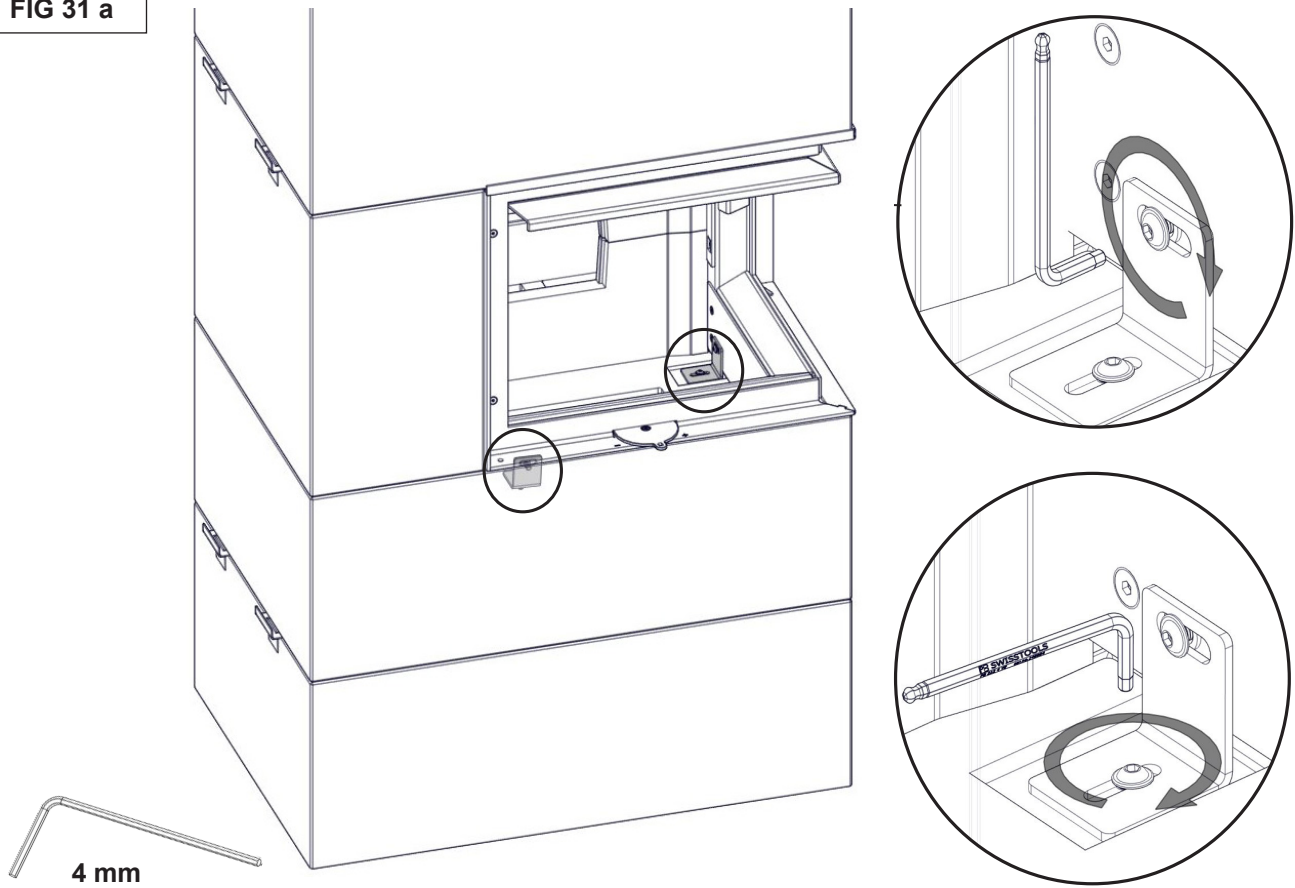


FIG 32

- 22-SAL03-720
- 21-30006-25A x4
- 21-50001-018 x4

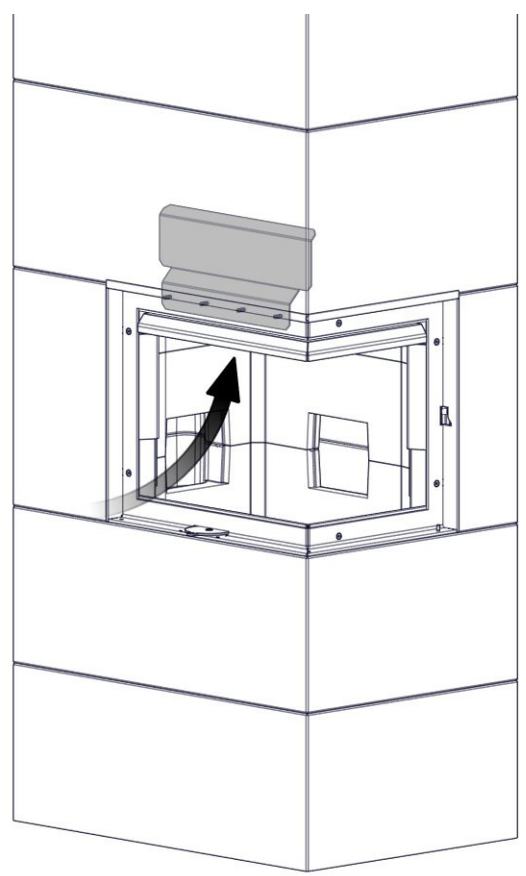
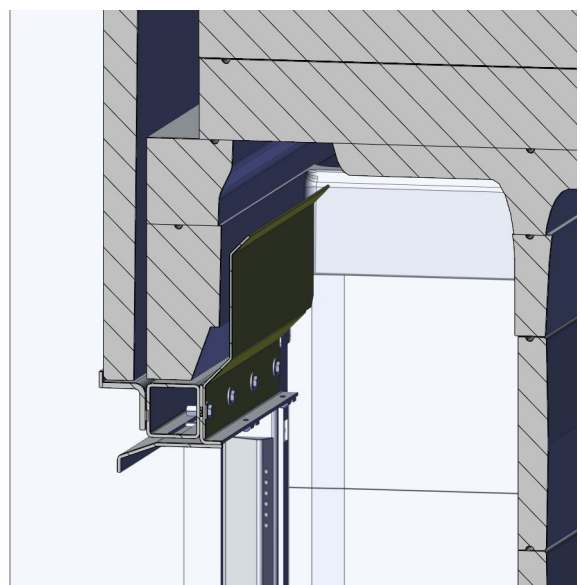
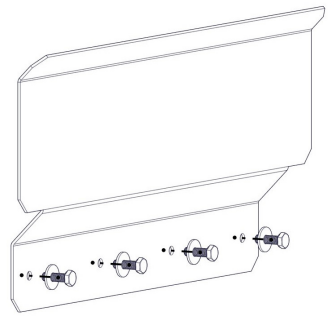
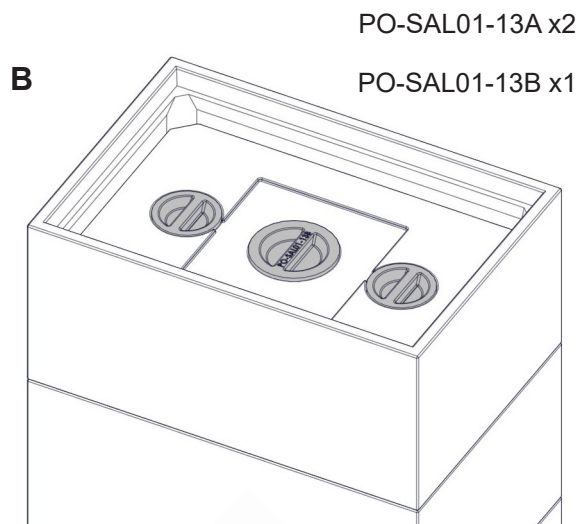
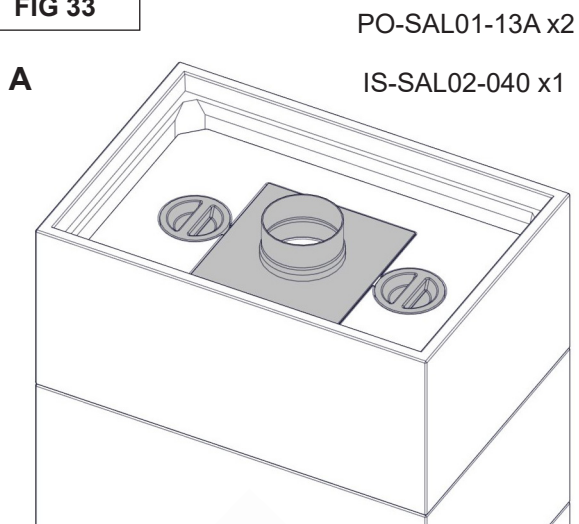


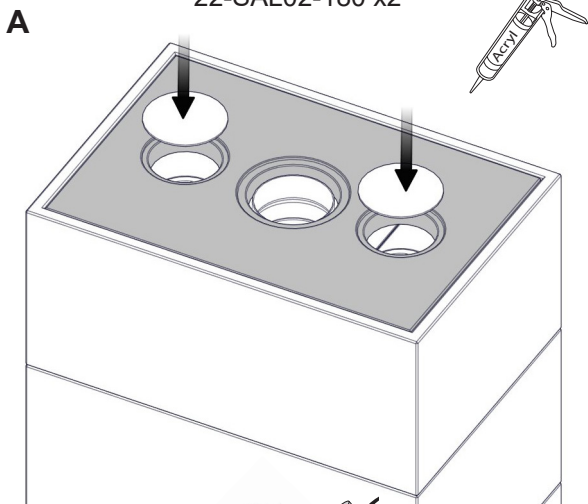
FIG 33



| | |
|-----------|--|
| GB | Clean surface of a hole before you place the lids. When product is intended to be connected to the chimney horizontally - side or back place Power stone plugs as shown on FIG 33 B. |
| FR | Nettoyez la surface du trou avant de placer les couvercles. Lorsque le produit est destiné à être raccordé à la cheminée dans le sens horizontal - de côté ou par l'arrière - placez les couvercles de Powerstone comme illustré sur la Fig. 33 B. |
| DE | Reinigen Sie die Lochoberfläche, bevor Sie die Abdeckungen anbringen. Wenn das Produkt horizontal an den Schornstein angeschlossen werden soll, bringen Sie die Power Stone-Verbindungsstücke seitlich oder hinten an, siehe Abb. 33 B. |

FIG 33 a

CO-SAL03-180 x1
22-SAL02-180 x2



CO-SAL03-180 x1
22-SAL02-180 x2
22-SAL02-120 x1

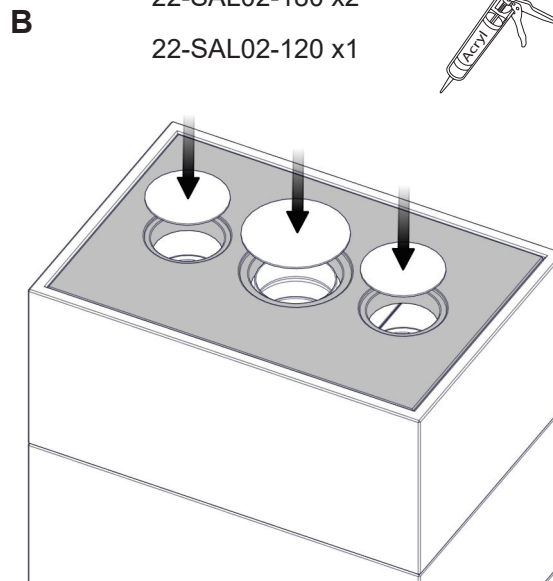
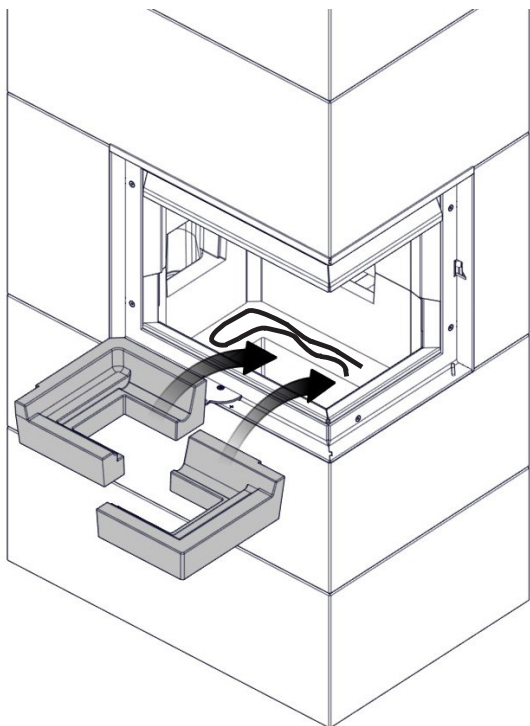
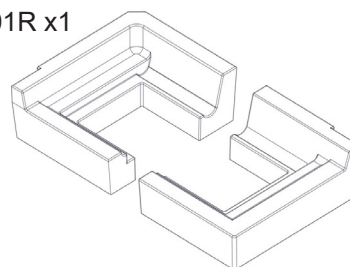


FIG 34



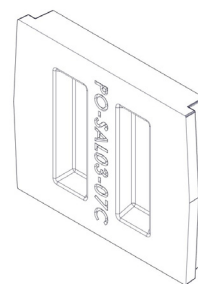
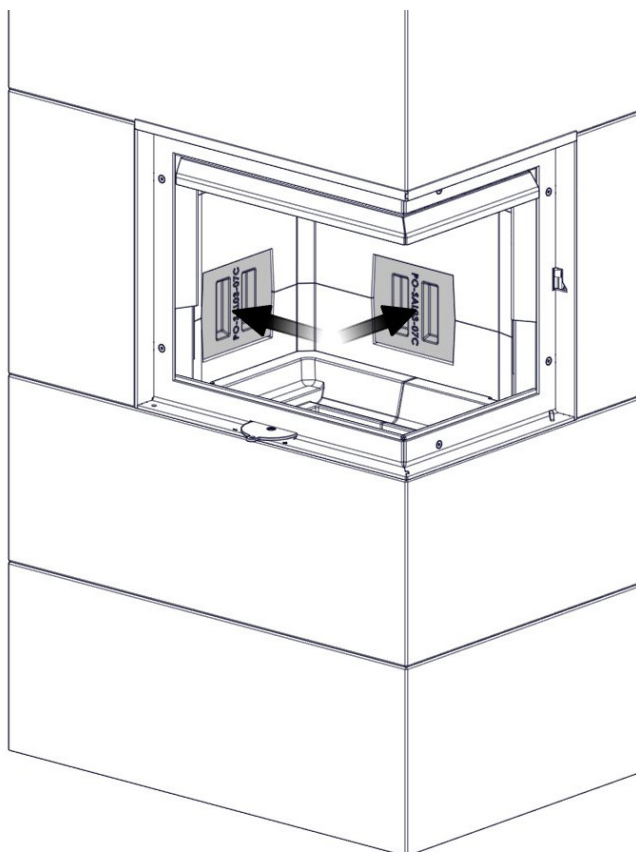
| | |
|-----------|--|
| GB | Place a Ø8 mm gasket inside combustion chamber as shown on the drawing. Distribute it evenly on combustion bottom surface and place a bottom part of the Thermotte lining left and right. |
| FR | Placez un joint de 8 mm à l'intérieur du foyer, comme illustré. Le répartir uniformément sur la surface inférieure et placez une partie inférieure de la doublure en Thermotte gauche et droite. |
| DE | Positionieren Sie eine 8-mm-Dichtung in der Brennkammer (siehe Zeichnung). Verteilen Sie sie gleichmäßig auf dem Brennkammerboden und verlegen Sie links sowie rechts ein Unterteil der Thermotte-Auskleidung. |

22-SAL03-01R x1



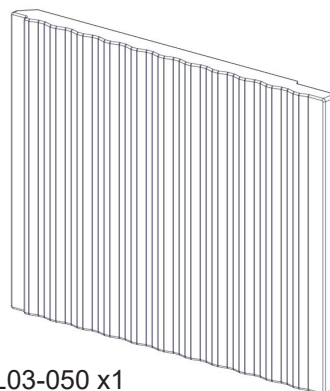
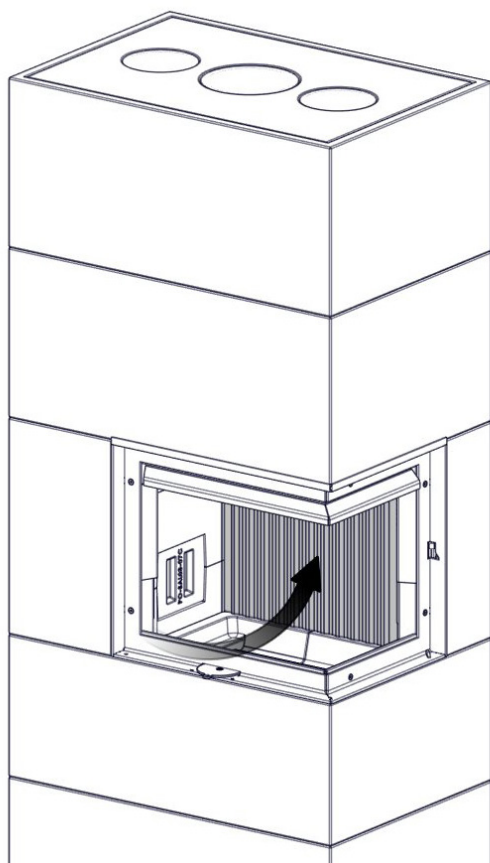
LA-SAL03-02R x1

FIG 35



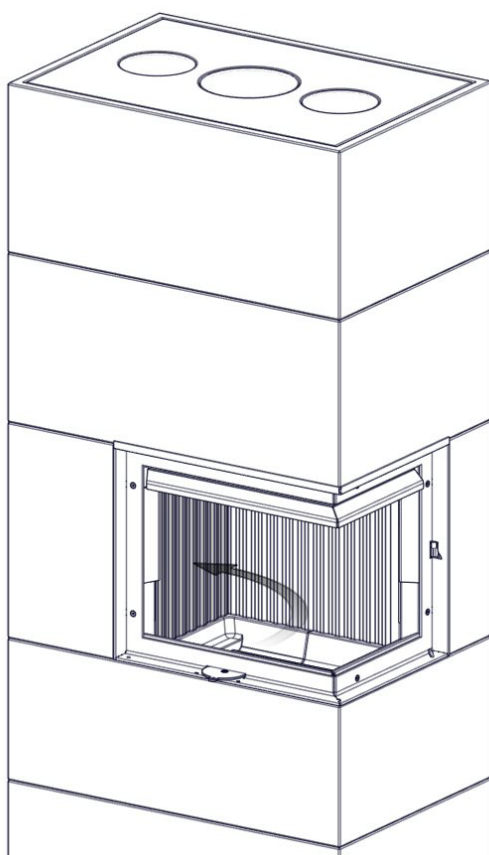
PO-SAL03-07C x2

FIG 36

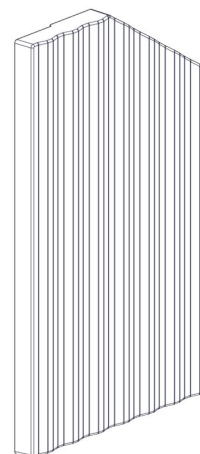


LA-SAL03-050 x1

FIG 36 a

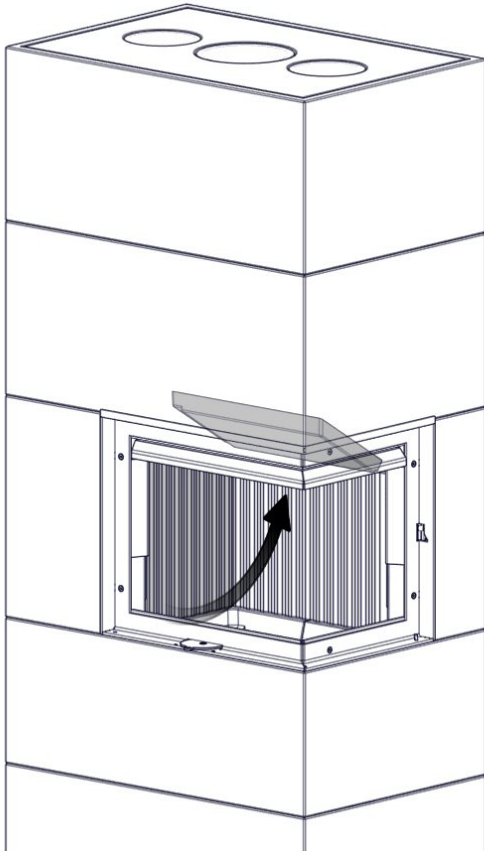


| | |
|-----------|---|
| DE | Positionieren Sie die beiden Thermotte-Elemente an der Seite bzw. Rückseite wie auf der Abbildung und drücken Sie sie bis zum Anschlag in die Ecke. |
| FR | Placez les plaques deux côtés / arrière en Thermotte comme illustré et poussez les deux l'une contre l'autre dans le coin. |
| GB | Place two side / back Thermotte plates as illustrated and push them both tightly into the corner. |

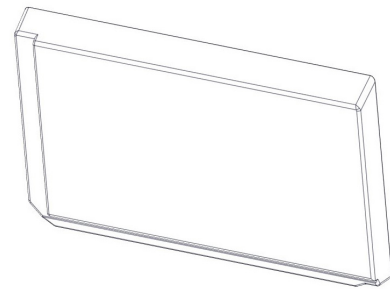


LA-SAL03-04R x1

FIG 37

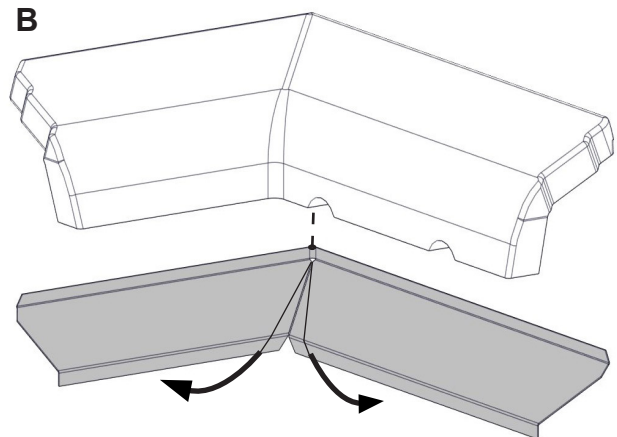
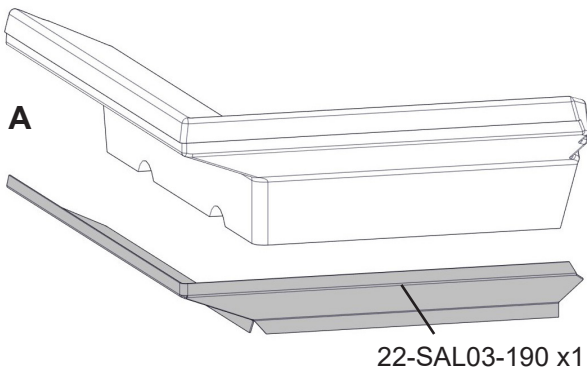


| | |
|-----------|---|
| DE | Bringen Sie das Thermotte-Umlenblech wie auf der Abbildung an. Es sollte von der Oberseite der beiden Thermotte-Elemente an der Seite bzw. Rückseite gehalten werden. |
| FR | Montez le déflecteur chicane en Thermotte comme illustré. Il doit être supporté par le haut des plaques latérales / arrière en Thermotte. |
| GB | Fit the Thermotte baffle plate as illustrated. It should be supported by the top of the tow side / back Thermotte plates. |



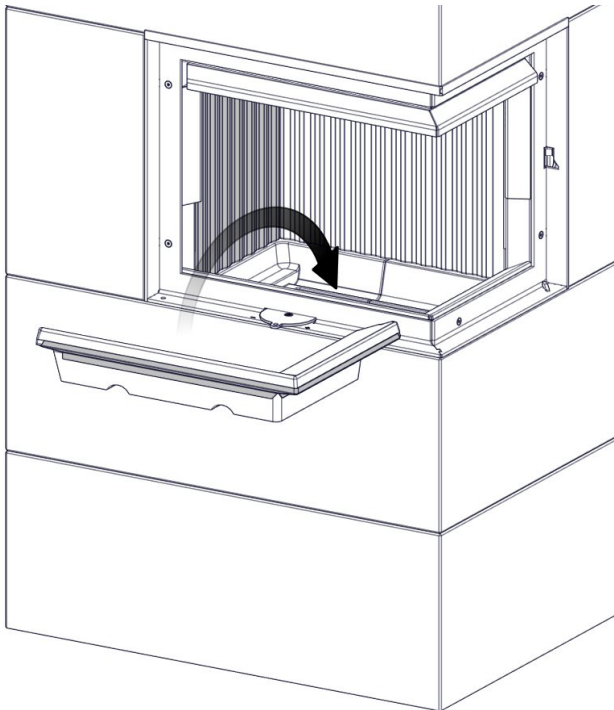
LA-SAL03-06R x1

FIG 38



| | |
|-----------|---|
| DE | Der Glutfänger besteht aus einem Thermotte-Element und einer Stahlplatte (A). Biegen Sie die Stahlplatte so, dass ihre Form mit dem Thermotte-Element übereinstimmt, siehe Abbildung (B). |
| FR | Le pare-bûches se compose d'une partie en Thermotte et d'un écran en acier (A). Modelez par pliage l'écran en acier de sorte qu'il épouse la forme de l'élément en Thermotte comme indiqué (B). |
| GB | The logstopper consists of a Thermotte part and a steel shield (A). Make the steel shield fit the shape of the Thermotte by bending it as shown (B) |

FIG 38 a



| | |
|-----------|--|
| DE | Positionieren Sie den Glutfänger (Thermotte-Element und Stahlplatte) als eine Einheit. |
| FR | Placez le pare-bûches (Thermotte et écran en acier) comme une unité dans sa position. |
| GB | Place the Log stopper (Thermotte and steel shield) as one unit into its position |

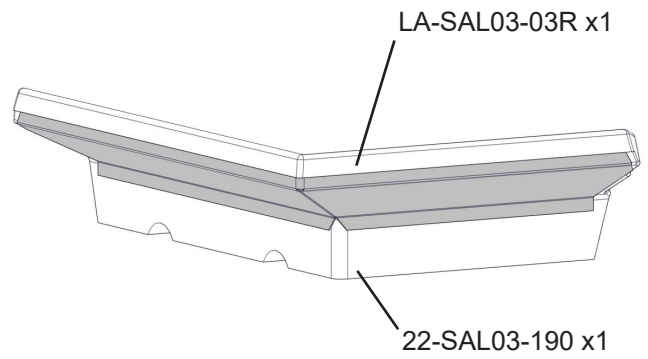


FIG 39

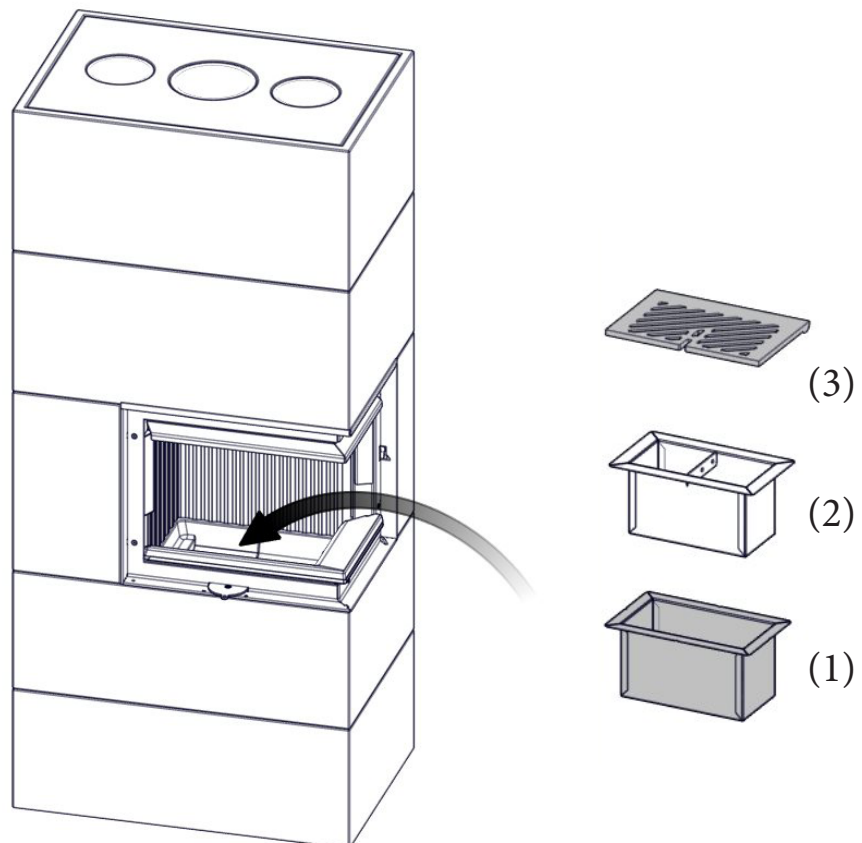
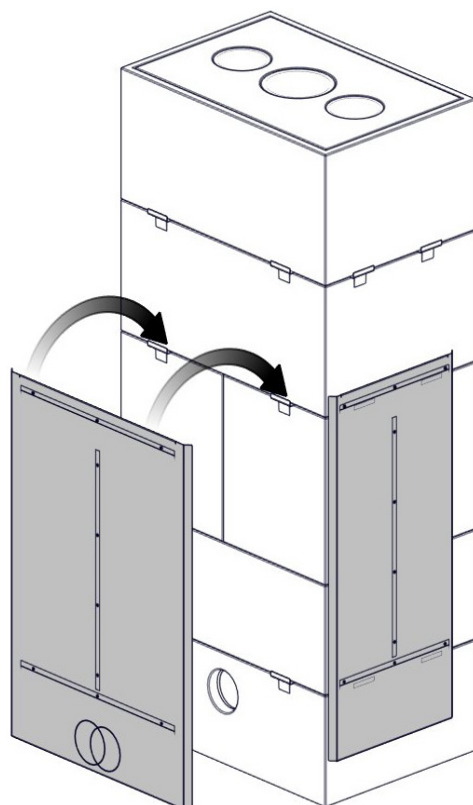
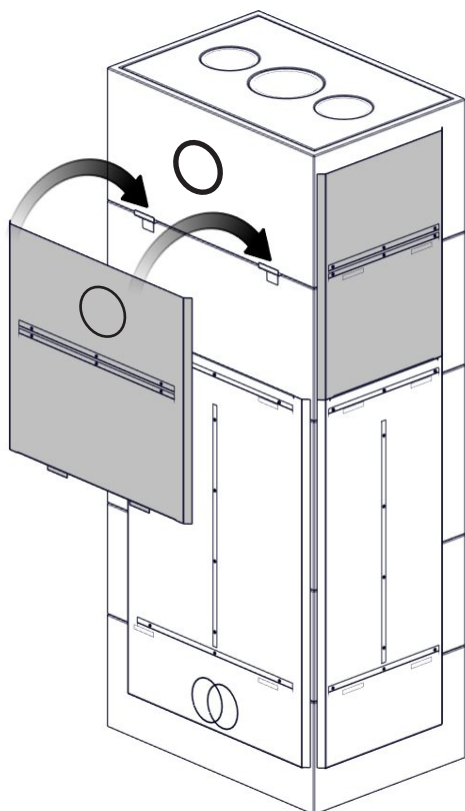


FIG 40



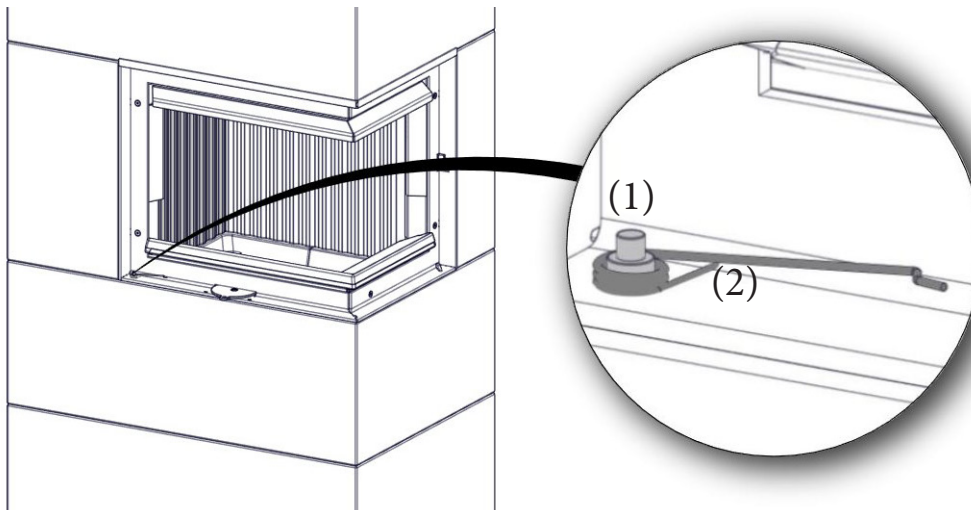
| | |
|-----------|--|
| DE | <p>Montieren Sie den seitlichen und hinteren unteren Wärmeschutz. Positionieren Sie ebenfalls die oberen Abdeckungen. Achtung! Stellen Sie bei einem rückseitigen Luftanschluss eine Öffnung im hinteren Wärmeschutz her.</p> |
| FR | <p>Montez les écrans thermiques latéral et inférieur. Montez également les couvercles supérieurs. Attention ! Lorsque le raccord par l'arrière est utilisé, découpez le trou dans l'écran thermique arrière.</p> |
| GB | <p>Assemble side and back lower radiation shield. Place also top covers. Attention! When rear air connection is going to be utilize cut out the hole in the back shield.</p> |

FIG 41



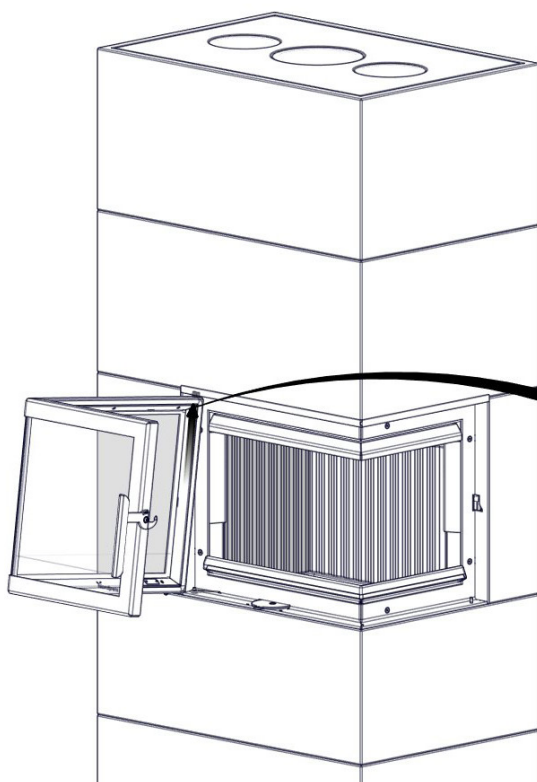
| | |
|-----------|---|
| DE | <p>Achtung! Wenn das Produkt horizontal an den Schornstein angeschlossen werden soll (von der Seite oder über die Rückwand), bringen Sie eine Öffnung im Wärmeschutz an.</p> |
| FR | <p>Attention ! Lorsque le produit est prévu pour être raccordé au poêle dans le sens horizontal - soit sur le côté ou par l'arrière, découpez le trou dans un écran thermique.</p> |
| GB | <p>Attention! When product is going to be connected to the chimney horizontally, either from side or back wall, cut the hole in the shield.</p> |

FIG 42



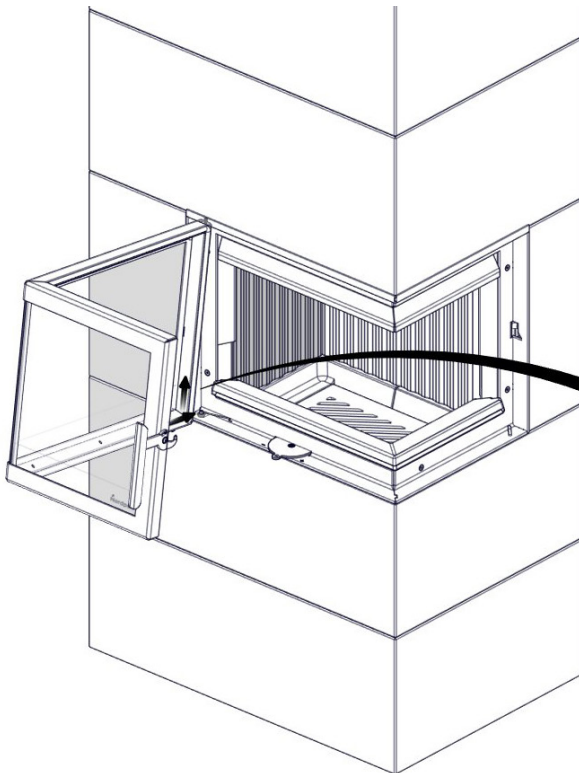
| | |
|-----------|--|
| DE | Montieren Sie das Türscharnier (1).Montieren Sie die Türfeder wie auf der Zeichnung dargestellt (2). Achtung! Um den gesetzlichen Anforderungen in bestimmten europäischen Ländern zu entsprechen, sind alle Türen selbstschließend. Wenn diese Anforderung bei Ihnen nicht besteht, kann diese Funktion durch Überspringen dieses Schritts deaktiviert werden (2). |
| FR | Montez la charnière de porte (1)Montez le ressort de porte, comme indiqué ici (2). Attention ! Pour répondre aux exigences légales dans certains pays européens, toutes les portes se ferment automatiquement. Si votre pays n'est pas concernée, sautez cette étape (2). |
| GB | Assemble door hinge (1).Assemble door spring as shown on the drawing (2). Attention! To meet legal requirements in certain European countries, all doors are self-closing. If this is not a requirement in your area, this feature can be disabled by skipping this step (2). |

FIG 42 a



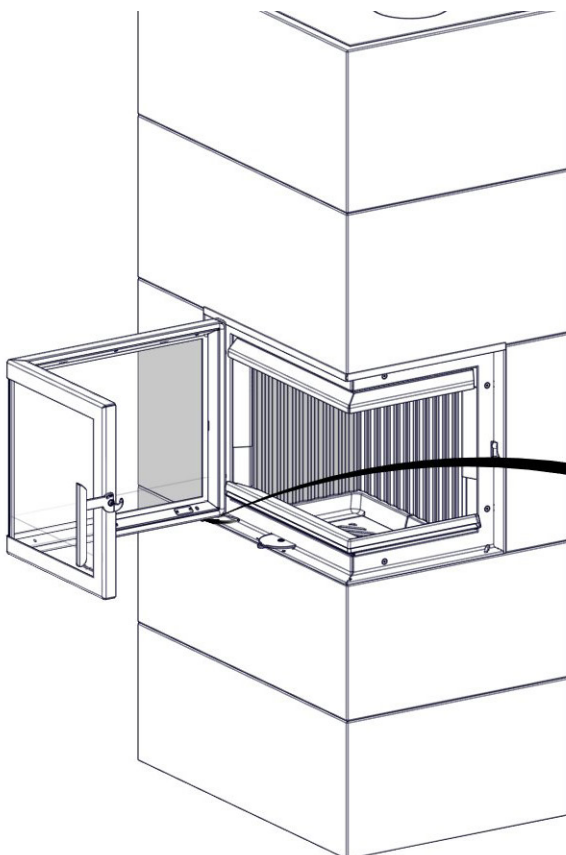
| | |
|-----------|--|
| DE | Montieren Sie die Tür. Kippen Sie die Tür auf eine Seite. Positionieren Sie den oberen Türstift in der Rahmenvertiefung und drücken Sie die Tür maximal nach oben. Achtung! Berühren Sie nicht die Oberfläche zwischen Tür und Rahmen. |
| FR | Montez la porte. Saisissez la porte et présentez-la de manière inclinée d'un côté. Placez la broche supérieure de porte dans le socle de cadre et poussez la porte au maximum. Attention ! Évitez de toucher la surface de contact entre la porte et le cadre. |
| GB | Assemble door. Take the door and tilt it on one side. Place upper door pin into the frame socket and push the door up at maximum. Attention! Avoid touching surface between door and frame. |

FIG 42 b



| | |
|-----------|--|
| DE | Halten Sie die Tür oben, drehen Sie sie und bringen Sie sie am unteren Stift an. Lösen Sie den Druck und setzen Sie die Tür ab. |
| FR | Tout en maintenant la porte ouverte, faites pivoter la porte et la monter sur la tige inférieure. Relâchez la pression et abaissez la porte. |
| GB | Keeping door up, turn the door and assemble it on the lower pin. Release the pressure and place door down. |

FIG 42 c



| | |
|-----------|---|
| DE | Aktivieren Sie die selbstschließende Tür. Ergreifen Sie das Ende der Feder mit einer Zange und positionieren Sie es hinter der Schraube an der Tür. |
| FR | Actionnez la porte à fermeture automatique. Saisissez l'extrémité du ressort à l'aide d'une pince et le placer derrière la vis sur la porte. |
| GB | Activate self-closing door. Take end of the spring by a piler and place it behind the screw on the door. |

FIG 43

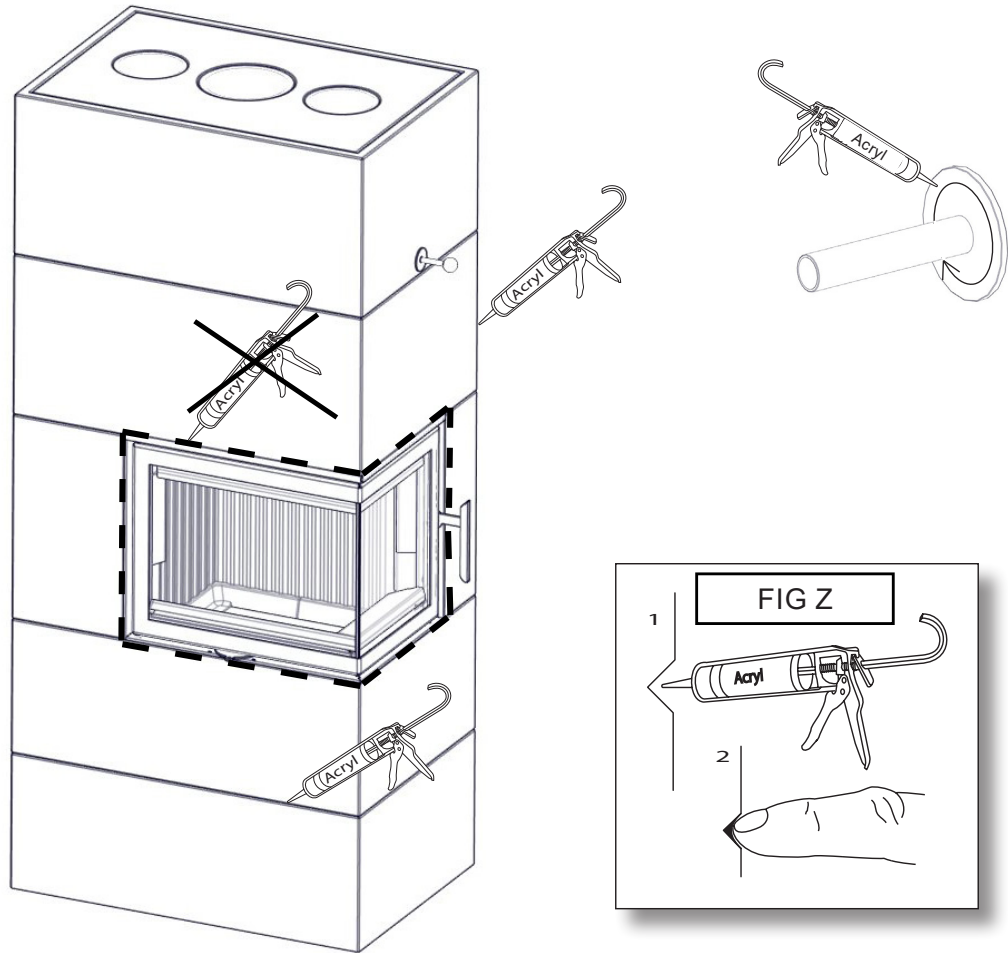
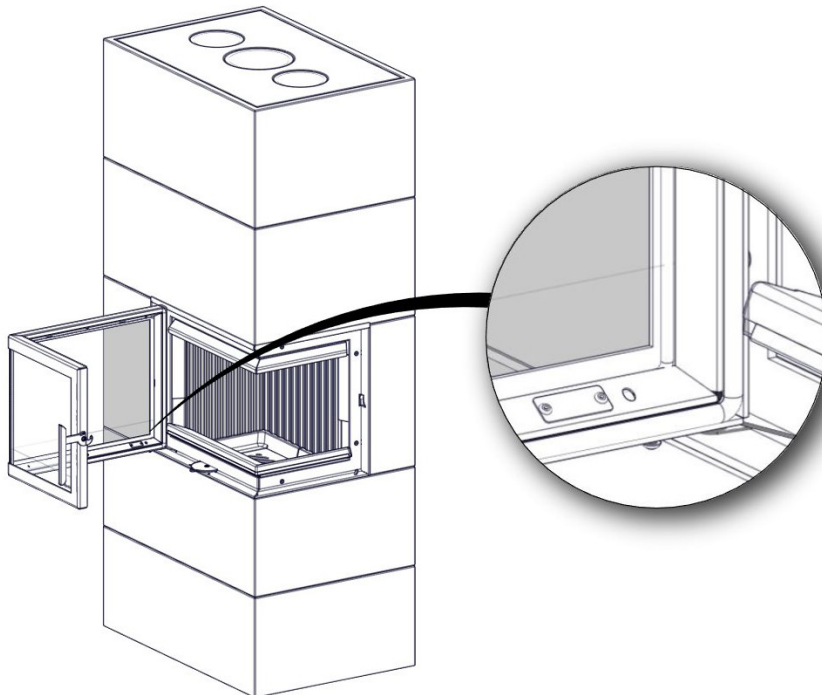


FIG 44

POSITION OF THE SERIAL NUMBER
POSITION DU NUMÉRO DE SÉRIE
POSITION DER SERIENNUMMER



Declaration of Ecodesign Conformity

This is to declare that Nordpeis Salzburg C complies to the Ecodesign requirements described in the Commission Regulation, Directive 2015/1185 of the European Parliament and of Council 2009/125/WE for local solid fuel space heaters.

| Emission from combustion: | |
|--|---|
| Carbon monoxide at 13% O ₂ | CO: < 1500 mg / m ³ |
| Oxygen nitride NO _x at 13% O ₂ | NO_x : < 200 mg / m ³ |
| Organic Gaseous Carbon at 13% O ₂ | OGC : < 120 mg / m ³ |
| Particulate Matter at 13 O ₂ | PM : < 40 mg / m ³ |
| Seasonal space heating energy efficiency | > 65 % |

The undersigned is responsible for the manufacture and conformity with declared performance.



Stian Varre, CEO Nordpeis AS

Technical parameters for solid fuel local space heaters

| | | | | | | | |
|--|---------------|--|-------------|--|--------------------------------|--------------|-------------|
| Model identifier(s): Salzburg C | | | | | | | |
| Indirect heating functionality: no | | | | | | | |
| Direct heat output: 3,6 (kW) | | | | | | | |
| Fuel | | Preferred fuel (only one): | | | Other suitable fuel(s): | | |
| Wood logs with moisture content $\leq 25\%$ | | yes | | | no | | |
| Compressed wood with moisture content $< 12\%$ | | no | | | no | | |
| Other woody biomass | | no | | | no | | |
| Non-woody biomass | | no | | | no | | |
| Anthracite and dry steam coal | | no | | | no | | |
| Hard coke | | no | | | no | | |
| Low temperature coke | | no | | | no | | |
| Bituminous coal | | no | | | no | | |
| Lignite briquettes | | no | | | no | | |
| Peat briquettes | | no | | | no | | |
| Blended fossil fuel briquettes | | no | | | no | | |
| Other fossil fuel | | no | | | no | | |
| Blended biomass and fossil fuel briquettes | | no | | | no | | |
| Other blend of biomass and solid fuel | | no | | | no | | |
| Characteristics when operating with the preferred fuel | | | | | | | |
| Seasonal space heating energy efficiency η_s [%]: 75 | | | | | | | |
| Energy Efficiency Index (EEI): 112,8 | | | | | | | |
| Item | Symbol | Value | Unit | Item | Symbol | Value | Unit |
| Heat output | | | | Useful efficiency (NCV as received) | | | |
| Nominal heat output | P_{nom} | 3,6 | kW | Useful efficiency at nominal heat output | $\eta_{th,nom}$ | 84 | % |
| Auxiliary electricity consumption | | | | Type of heat output/room temperature control (select one) | | | |
| At nominal heat output | $e_{l,max}$ | | kW | single stage heat output, no room temperature control | | no | |
| At minimum heat output | $e_{l,min}$ | | kW | two or more manual stages, no room temperature control | | yes | |
| In standby mode | $e_{l,SB}$ | | kW | with mechanic thermostat room temperature control | | no | |
| | | | | with electronic room temperature control | | no | |
| | | | | with electronic room temperature control plus day timer | | no | |
| | | | | with electronic room temperature control plus week timer | | no | |
| | | | | Other control options (multiple selections possible) | | | |
| | | | | room temperature control, with presence detection | | no | |
| | | | | room temperature control, with open window detection | | no | |
| | | | | with distance control option | | no | |
| Permanent pilot flame power requirement | | | | | | | |
| Pilot flame power requirement (if applicable) | P_{pilot} | | kW | | | | |
| Contact details | | Name and address of the supplier: Nordpeis AS, Gjellebekkstubben 11, N-3420 LIERSKOGEN, Norway | | | | | |

Nordpeis AS

Gjellebekkstubben 11
3420 Lierskogen, Norway
SalzC-CPR-2015/09/30



Salzburg C

EN 15250:2007

Heating of living accomodation / Raumheizer für feste Brennstoffe für Wohnbauten
Year of Approval / Zulassungsjahr **2015**

| | | |
|---|---|--|
| Fire safety: | Feuersicherheit: | |
| Reaction to fire: | Brandverhalten: | A1 |
| Distance to combustible: | Abstand zu brennbaren Materialien: | |
| Behind: | Hinten: | 50 mm |
| Beside: | Seitlich: | 50 mm |
| Flue gas temperature: | Abgastemperatur: | 140°C |
| Emission of combustion: | Emissionswerte: | CO < 1500 mg/m ³ NOx < 200 mg/m ³ OGC < 120 mg/m ³ PM < 40 mg/m ³ |
| Thermal storage capacity: | Wärmespeicherkapazität: | 100% after / nach 4,8h 50% after / nach 11,7h 25% after / nach 20,1h |
| Energy efficiency: | Wirkungsgrad: | 84% |
| Thermal Output: | Gesamtwärmeleistung: | 54,5kWh |
| Heat output: | Gesamtwärmeabgabe: | 196056kJ |
| Nominal heat output during discharge period: | Nennwärmeleistung während des Entladungszeitraums: | 3,6 kW |
| Surface temperature: | Oberflächentemperatur: | Pass / Bestanden |
| Mechanical resistance: | Mechanischer Widerstand: | Pass / Bestanden |
| Cleanability: | Reinigungsfähigkeit: | Pass / Bestanden |
| Maximum recommended chimney weight: | Das empfohlene Schornsteingewicht: | 300 kg |
| Fuel type: | Brennstoff: | Wood logs / Scheitholz |

Intermitent burning / Zeitbrandfeuerstätte
Read and follow the manual / Lesen und befolgen Sie die Bedienungsanleitung
Double allocation is acceptable / Mehrfachbelegung des Schornsteins ist möglich

Complies with / Entspricht folgenden Standards:

LRV of Switzerland; BImSchV 1 & 2
BStV Munich, Regensburg;
BStVO Aachen, Dusseldorf

Test report / Prüfbericht Nr.

RRF-50 15 3896

SN:

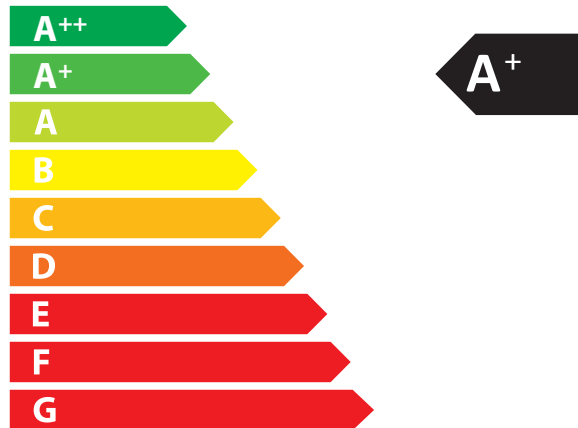


ENERG
енергия · ενέργεια



Nordpeis AS.

Nordpeis Salzburg C



3,6
kW

ENERGIA · ЕНЕРГИЯ · ΕΝΕΡΓΕΙΑ · ENERGIJA · ENERGY · ENERGIE · ENERGI

2015/1186

 Nordpeis

Nordpeis AS, Gjellebekkstubben 9-11, N-3420 LIERSKOGEN, Norway
www.nordpeis.no