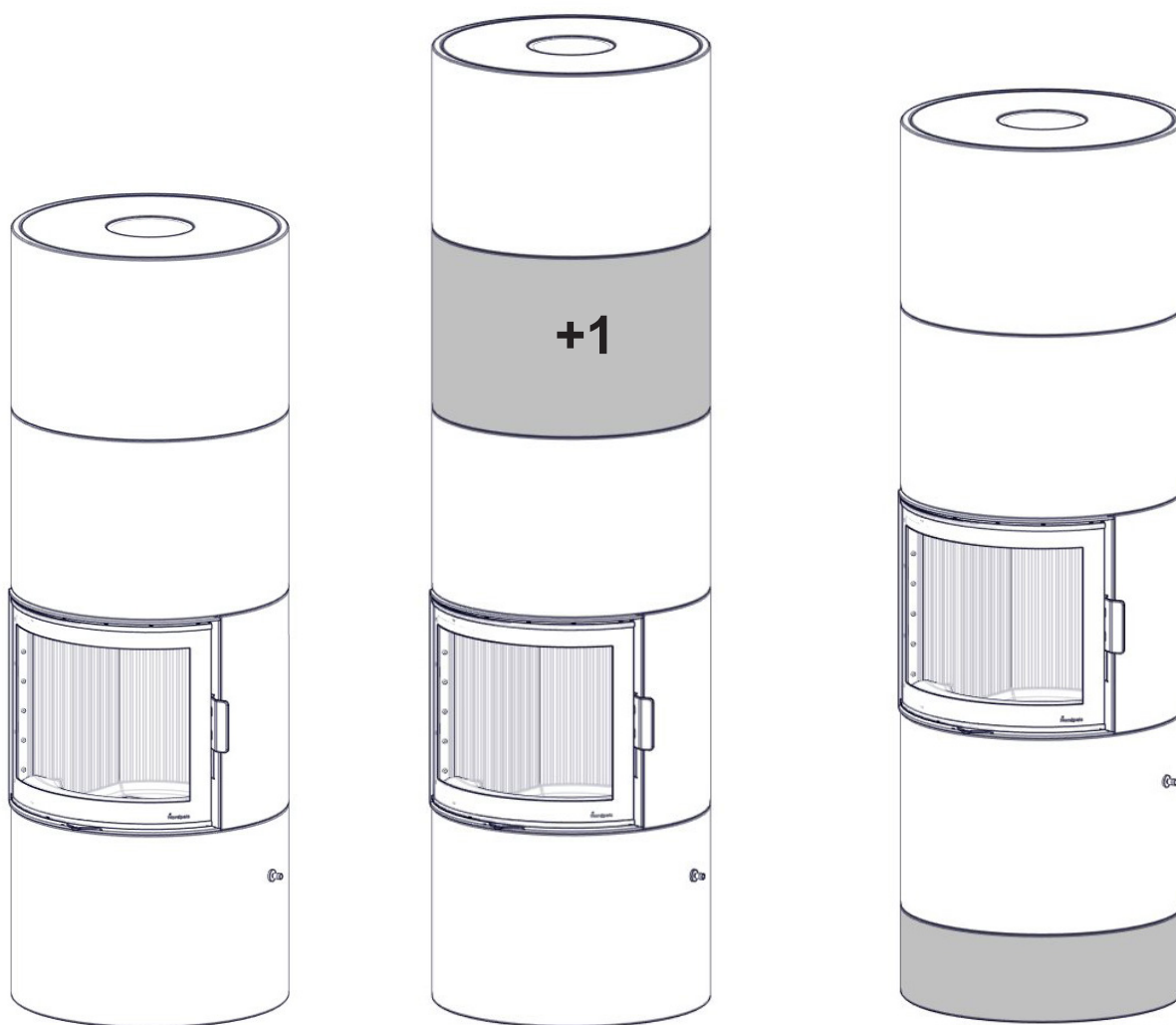
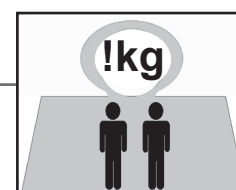


GB	Installation and user manual	2
DE	Installations und Benutzerhandbuch	9
FR	Manuel d'installation et d'utilisation	17



Salzburg R / Salzburg R +1 Salzburg R Extension Base

Art.no: PN-SAL06-000 / PN-SAL06-100 / CO-SAL06-100
 Last updated: 13.03.2023
 RRF nr: RRF – 50 22 6158, RRF – 50 22 6249



IMPORTANT SAFETY PRECAUTIONS!

1. Please follow the installation manual when connecting your stove / fireplace to the chimney / flue pipe. If connected differently from instruction please, consider the heat radiation from the flue pipe to the surrounding materials.
2. Before use, please carefully read the user manual and follow the instructions.
3. Integrated or defined convection openings may never be reduced or partially obstructed. This may lead to overheating, which again can cause house fire or serious damage to the product.
4. Use only designated fire starters. **Never use gasoline, diesel or other liquids to start the fire. This may cause explosions!**
5. Never use other fuel than natural dry chopped wood. Briquettes, peat, coke, coal and waste from construction materials develops far higher temperatures and emissions than natural wood. Since your product has been designed for use with natural wood only, other fuels may damage the product, chimney and surrounding constructions.
6. In case of damage to glass or door gasket, all use of the product must be discontinued until the damage has been repaired.
7. Products connected to a vented steel chimney must never be operated with open or ajar door other than reloading of wood or shortly during kindling process.

Failure to follow these precautions will leave your warranty void and expose people and property to danger.

Advise: Even if not required in your area, it is always wise to have a qualified stove / fireplace fitter do the installation, or at least the final inspection before use.

INDEX

1. General information about heat accumulating fireplaces	3
Air damper	3
Airvent	3
Cleaning the Smoke Duct System	3
Ash and Ash-pan	3
Weight	3
Firewall	3
Connection to chimney	3
Glue	3
Minor dents	4
Painting	4
Polishing	4
Tiles	4
Thermotte™	4
Cracks in the Powerstone™	4
2. Warranty	4
Recycling of the refractory glass	4
Packaging Recycle	4
Door and glass	4
3. Advice on lighting a fire	5
Combustion pace	5
Storing of Wood	5
Burning	5
Choice of fuel	5
4. Technical info	6
5. Before installing a new fireplace	6
Chimney draft	6
Air supply (=mm AIR)	6
Drying Procedure	7
Combustion pace	7
6. Assembly	7
7. Some advice in case of combustion problems	8

General information about heat accumulating fireplaces

Heat accumulating fireplaces differ from other fireplaces in that they are intended to provide a moderate heat for prolonged periods with a limited time of burning. Conventional fireplaces give off strong heat during the burning period but with a very limited cool-down period. The heat accumulating fireplaces from Nordpeis have a long duct system where the heat developed in the combustion chamber passes through the duct system before it exits through the chimney. The heat from the gases is absorbed by the material surrounding the smoke ducts, and by the time the smoke exits through the chimney. The efficiency of a well-constructed heat accumulating fireplace is thus far better than the efficiency of a conventional fireplace. A heat accumulating fireplace can keep an even temperature throughout the day with only one heating cycle.

The stove is fitted with an air damper addition to the regular air control. The air damper should always be fully open during operation, and the burn rate can be regulated by increasing or decreasing the air control. The air damper should only be closed at the end of a burn cycle after the wood has turned into ambers. This is to eliminate further air change inside the stove, and avoiding heat to escape through the chimney.

IMPORTANT: Closing the air damper during operation will cause a build-up of gases inside the stove, and may lead to an explosive ignition.

Catalyst

The catalyst helps in reducing the emissions of organic gasses, CO and particles, and can potentially last for decades if treated correctly. The catalyst is designed only for pure, natural wood. By burning plastics, wood containing glue, varnishes, paints, etc., will dramatically reduce the lifetime of the catalyst, or at worst destroy it or clog it. Under normal circumstances the catalyst is self cleaning, but can be clogged if improper fuel is used. It may be cleaned using pressurized air or vacuum cleaner.

Air Vent

When burning in a heat accumulating fireplaces the air vent is traditionally kept open to a maximum. This ensures optimal combustion and minimises carbon deposits in the smoke duct system. In addition it makes it easier to keep the glass clean during intensive burning. However, should one wish for a longer burn period and slower flames, the air vent is adjusted and reduced.

Cleaning the Smoke Duct System

When the fireplace is used every day throughout the heating season, we recommend that the smoke duct system is swept once a year. This is to maintain the draught and efficiency. Soot isolate the ducts and thus lower the efficiency. One can also notice that the draught is reduced and that the flames are difficult to control with the air vent function. Remember that

the fireplace must always be cold before it is swept / inspected. **The inspection shall be performed by Professional fitters.**

Ash and Ash-pan

The ash-pan consists of an inner part which is used for the regular emptying of ashes. The duct system can be reached when the outer part of the ash-pan also is removed.

Sweeping instruction: Carefully remove the Thermotte baffle plate (**LA-SAL06-040**). Then carefully remove the second baffle plate with the catalyst (**LA-SAL06-070**) by lifting and turning it until the baffle supports and the out-blocks in the baffle match, then lowering the baffle plate taking care not to drop the catalyst.

Sweep the three spiraling canals with a sweeping brush with a diameter of about 100 mm and remove the debris which falls down from the combustion chamber.

Access for cleaning a lateral / rear connective smoke tube is found through the lid for top connection.

The ashes must be emptied periodically. Please note that the ash may contain hot embers even several days after the fire has ceased. Use a container of non-combustible material to remove the ashes.

Weight

The home owner must ensure that the floor can withstand the load of the total weight of the product.

Firewall

Freestanding fireplaces can be installed without a firewall. Observe all safety distances to combustible materials.

Connection to Chimney

Follow specifications from the chimney manufacturer for connection to the chimney. Dry stack the fireplace for accurate height and positioning of the flue/chimney connection.

The product is not compatible with top connected concrete chimney.

Maximum weight of steel chimney (top connection) is 300kg.

By top connection to steel chimney, we refer to the respective manufacturer's installation instructions.

Requirements for Floor Plate by Combustible Floor Follow the requirements for floor plate (stone, steel, etc.) that apply in the country that the product is installed in.

Glue

The outer elements should be glued with the acrylic which is included. Make sure that all the surfaces that are to be glued are free of dust. The surfaces can be cleaned for better adhesion. Ensure that the surfaces are dry before spreading on the acrylic. Once the fireplace is assembled, fill the joints with acrylic and even it out with a sponge or finger and some soapy

water, in order to have a clear indentation between the elements (FIG Z).

Minor Dents

Transportation and handling can cause minor dents to the product. This can be repaired with the powder glue which is included. For a perfect result you can fill and grind with a suitable filler on top of the powder glue.

Fill smaller cracks and uneven surfaces with a float or a brush. If the dent is deep, it is recommended to fill in several stages to avoid sinking. Even out with e.g. a damp sponge or a float.

Painting

The surface of the surround is developed to be painted without priming work. Use latex or acrylic based paint (emulsion paint), or cement-based textured paint.

In the unlikely case that there are some irregularities in the surface, these can be filled with the acrylic which is included, or a light and appropriate filling material.

Any surface that has been filled needs to be smoothed with fine sand paper.

Polishing

If a more traditional and polished surface is wished for, it is recommended to dampen the surround and then cover it with tile adhesive (powder glue) and a fibreglass mesh, prior to possibly adding mortar or mineral polish.

Tiles

This fireplace can also be partially or completely covered with tiles / natural stone of your choice. As for the section above on "Polishing", we recommend that the chimney surround is dampened before it is covered with tile adhesive (powder glue) and a fiberglass mesh. This is to ensure good adhesion and prevent the formation of cracks at the joints of the surround.

Please note that the adhesive and mortar must set before burning in the fireplace. Follow the instructions from the mortar/adhesive producers.

Regardless of surface treatment it is advantageous to mask the entire door frame to avoid having to clean it later.

Please note that the air gap between the surround and the door frame must not be filled with glue, mortar or similar.

Thermotte™

The insulation plates (Thermotte) are classified as "wear and tear" parts which will require to be exchanged after some years. The wear time will depend on the individual use of your product. Nordpeis offers a one-year warranty on these parts. After this, replacements can be purchased.

Please note: Wood logs that are too long can cause additional strain and crack the plates, due to the tension created between the side plates.

Cracks in the i PowerStone

Due to thermal effects there may be small cracks / fissures in the PowerStone. This is natural and does not affect the product's function or safety.

2. Warranty

Warning!
Use replacement parts recommended only by the Manufacturer.

Warning!
Any unauthorized modification of the appliance without written permission of the Manufacturer are prohibited.

For detailed description of the warranty conditions see the enclosed warranty card or visit our website www.nordpeis.com

Recycling of the refractory glass

Refractory glass cannot be recycled. Old glass, breakage or otherwise unusable refractory glass, must be discarded as residual waste. Refractory glass has a higher melting temperature, and can therefore not be recycled together with glass. In case it would be mixed with ordinary glass, it would damage the raw material and could, in worst case end the recycling of glass. It is an important contribution to the environment to ensure that refractory glass does not end up with the recycling of ordinary glass.

**CERAMIC GLASS
CANNOT BE
RECYCLED**



Ceramic glass should be disposed of as residual waste, together with pottery and porcelain

Packaging Recycle

The packaging accompanying the product should be recycled according to national regulations.

Door and Glass

Should there be any soot on the glass it may be necessary to clean it. Use dedicated glass cleaner, as other detergents may damage the glass/gaskets. (Attention! Be careful, even dedicated glass cleaner can damage the varnish on the door frame and gaskets). A good advice for cleaning the glass is to use a damp cloth or kitchen roll paper and apply some ash from the burn chamber. Rub around the ash on the glass and finish off with a piece of clean and damp kitchen roll paper. Attention! Only clean when the glass is cold.

Periodically, it may be necessary to change the gaskets on the door to ensure that the burn chamber is air tight and working optimally. These gaskets can be bought as a set, usually including ceramic glue.

3. Advice on Lighting a Fire

Combustion pace

A heat storing product should not be burned in too aggressively as this may damage the product. In order to get the most out of a heat storing product, it is therefore important to optimise the combustion pace and the size of the loads. Read the combustion rates and load sizes that apply to your product.

The best way to light a fire is with the use of lightening briquettes and dry kindling wood. Newspapers cause a lot of ashes and the ink is damaging for the environment. Advertising flyers, magazines, milk cartons and similar are not suitable for lighting a fire. Good air supply is important at ignition. When the flue is hot the draught increases and door can be closed.

Warning: In order to avoid injuries, please be aware that the surface may become hot during operation and that extra care need to be taken to avoid skin burn.

Warning: NEVER use a lighting fuel such as petrol, paraffin, methylated spirits or similar for lighting a fire. This could cause injury to you as well as damaging the product.

Use clean and dry wood with a maximum moisture content of 20% and minimum 16%. Humid wood requires a lot of air for the combustion, as extra energy/heat is required for drying the humid wood and heat effect is therefore minimal. In addition this creates soot in the chimney with the risk of creosote and chimney fire.

In case of a chimney fire, close the door and air supplies on the stove and call the Fire Brigade. After a chimney fire the chimney must in all cases be inspected by an authorized chimney sweeper before you use the appliance again.

Storing of Wood

In order to ensure that the wood is dry, the tree should be cut in winter and then stored during the summer, under roof and in a location with adequate ventilation. The wood pile must never be covered by a tarpaulin which is lying on the ground as the tarpaulin will then act as a sealed lid that will prevent the wood from drying. Always keep a small amount of wood indoors for a few days before use so that moisture in the surface of the wood can evaporate.

Burning

Not enough air to the combustion may cause the glass to soot. Hence, supply the fire with air just after the

wood is added, so that the flames and gases in the combustion chamber are properly burnt off. Open the air vent and have the door slightly ajar in order for the flames to establish properly on the wood.

Note that the air supply for the combustion also can be too large and cause an uncontrollable fire that very quickly heat up the whole hearth to an extremely high temperature (when burning with a closed or nearly closed door). For this reason you should never fill the combustion chamber completely with wood.

Warning!
The Firebox shall to be always closed except during ignition, refueling and ash removal.

Choice of Fuel

All types of wood, such as birch, beech, oak, elm, ash and fruit trees, can be used as fuel in the stove. Wood species have different degrees of hardness - the higher the hardness of the wood, the higher the energy value. Beech, oak and birch have the highest degree of hardness.

Attention! We do not recommend the use of fuel briquettes / compact wood in our combustion chambers, as these products may develop significantly higher temperature than the combustion chamber can withstand. Burning briquettes / compact wood is at your own risk and can cause invalidity of the warranty.

Warning:
NEVER use impregnated wood, painted wood, plywood, chipboard, rubbish, milk cartons, printed material or similar. If any of these items are used as fuel the warranty is invalid.
Common to these materials is that they during combustion can form hydrochloric acid and heavy metals that are harmful to the environment, you and the stove. Hydrochloric acid can also corrode the steel in the chimney or masonry in a masonry chimney. Also, avoid burning bark, sawdust or other extremely fine wood, apart from when lighting a fire. This form of fuel can easily cause a flashover that can lead to temperatures that are too high

Warning!
Make sure the stove is not overheated - it can cause irreparable damage to the product. Such damage is not covered by the warranty.

Source: "Håndbok, effektiv og miljøvennlig vedfyring" by Edvard Karlsvik SINTEF Energy Research AS and Heikki Oravainen, VTT.

For your own safety, comply with the assembly instructions. All safety distances are minimum distances. Installation of the fireplace must comply with the current rules and regulations of the country where the product is installed. Nordpeis AS is not responsible for wrongly assembled fireplaces. Subject to errors and changes. For the latest updated version go to www.nordpeis.com

4. Technical information:

Salzburg R / Salzburg R Extension Base / Salzburg R +1

Minimum distances to combustible materials	Back 30 mm (*) 200 mm 200 mm (+1)
(*) with heat shield	Side 450 mm (*) 450 mm 450 mm (+1)
CO % (13% O ₂)	<1500 mg/m ³
Flue gas temperature	195°C 129 °C (+1)
Thermal output	36,85 kWh 39,10 kWh (+1)
Thermal storage capacity	100% after 4,0 hrs 50% after 11,2 hrs 25% after 17,9 hrs
+1	100% after 3,6 hrs 50% after 10,8 hrs 25% after 17,1 hrs
Energy efficiency	84 %
+1	91 %
Nominal heat output during discharge period (100%-25%)	2,1 kW 2,3 kW (+1)
Chimney draft	12 Pa
Length of wood logs	350 mm
Weight (kg)	675 / 705 (Extension Base)
Weight (+1) (kg)	890
Load size (kg)	2 kg
Max nr. loads	5
Loading interval	45 min
No. burning cycles per 24 hours	1

5. Before Installing a new fireplace

Several European countries have local regulations for installation of fireplaces, which change regularly. It is the responsibility of the client that these regulations are complied with in the country/region where the fireplace is installed.

Nordpeis AS is not responsible for incorrect installation.

Important to check

- distance from firebox to combustible/flammable materials
- insulation materials/requirements between fireplace surround and back wall
- size of floor plates in front of fireplace if required
- flue connection between firebox and chimney
- insulation requirements if flue passes through a flammable wall

Chimney Draft

Compared to older models, the clean burning fireplaces of today put significantly higher demands on the chimney. Even the best fireplace will not work properly if the chimney does not have the right dimensions or is not in good working order. The draught is mainly controlled by gas temperature, outside temperature, air supply as well as the height and inner diameter of the chimney. The diameter of the chimney should never be less than that of the flue/chimney collar. At nominal effect there should be a negative pressure of 12 to 25 Pascal.

The draft increases when:

- The chimney becomes warmer than the outside air
- The active length of the chimney over the hearth increases
- Good air supply to the combustion

It can be difficult to obtain the right draught conditions in case the chimney is too large relative to the fireplace, as the chimney does not heat up well enough. In such cases you should contact professional for evaluation of possible measures. If necessary, contact a chimney sweeper. The product is type tested and should be connected to a chimney that is dimensioned for the smoke gas temperature indicated in the CE declaration. When necessary, contact a professional in advance.

Attention! It is recommended to use a qualified professional when installing a new fireplace.

Air supply (=mm AIR)

A set for fresh air supply is available as an accessory. This will ensure that the air supply to the combustion chamber is less affected by ventilation systems, kitchen fans and other factors which can create a down-draught in the room. In all new constructions, we strongly recommend the product is designed and prepared for direct supply of outside air. In older houses also, the use of fresh air supply set is also recommended.

Insufficient air supply can cause poor draught and thereby low combustion efficiency and the problems this entails: soot stains on the glass, inefficient utilisation of the wood and a soot deposits in the chimney.

Warning!
Keep combustion and convection air inlet free from blockage.

Warning! Extractor fans when operating in the same room or space as the appliance may cause problem.

Distance illustration (FIG 1 - 1B)

*The illustration indicates the approximate centre height of the recess for the flue. Consider possible inclination of the flue prior to making perforating the chimney. Distortions in floors and walls may also influence the height, dry stack therefore the fireplace for accurate height and positioning of the flue/chimney connection. If a fresh air supply set (accessory) is connected through the floor, mark where the hole should be.

Attention! Since the inner core is composed of many layers the connection height may vary by up to a few centimeters from installation to installation.

Safety distances (FIG 2 - 2B)

Ensure that the safety distances are complied with.

IMPORTANT! Drying Process

The fireplace contains a lot of moisture when it is new and no fire has been made before. This moisture must be dried out before the fireplace can withstand the combustion rate given below.

To extract the moisture, follow this procedure:

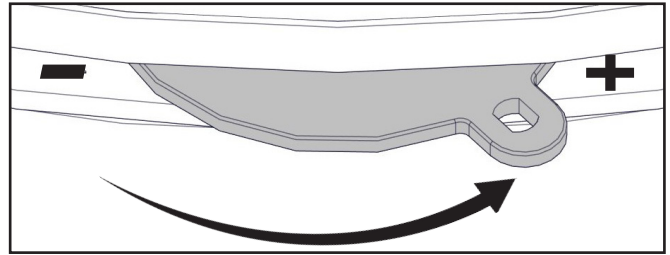
1. Ensure that the air vent control just below the door is completely open
2. Ensure that the damper is in ignition mode (FIG*).
3. Make a small fire with 0.5-1 kg of kindling wood

Attention! Let the air vent and damper remain open until the fire is burnt out.

This procedure is repeated twice more, with a 24 hrs gap between each time.

Attention! Failure to follow the guidelines for drying can cause the elements to crack.

The air vent control is turned to the right to increase the air supply to Salzburg R



Combustion pace

An accumulating fireplace is designed to absorb thermal energy during a relatively short period of relatively intense heat. When the period of intensive combustion is completed, the product will deliver the accumulated heat over a longer period of time.

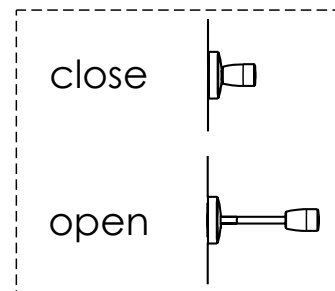
Attention! Combustion beyond the recommended pace (see table with Technical Information) will result in a higher surface temperatures, which can lead to discoloration of the paint. It can also result in higher than intended temperatures against combustible walls.

Follow the values in the table to find the correct load size and what loading interval is right for your product.

When the last load has passed into the ember phase with few embers left, the air damper is closed to prevent heat escaping through the chimney.

Remember to open the air damper before making a fire in the fireplace.

FIG *



The ignition mode should only be open during when necessary for short periods (10-15 minutes) at the time a fire is lit, and at new loads, in order to prevent smoke or ash escaping into the room. Persistent combustion with an open ignition mode can result in exceeding the maximum allowed chimney temperature.

6. Assembly

Attention! It is very important that installation instructions are read carefully and followed closely in order to ensure optimal functioning of the product.

Some advice in case of combustion problems

Error	Explanation	Solution
No draught	The chimney is blocked	Contact a chimney sweeper / dealer for more information or clean the flue, smoke baffle and burn chamber.
	The flue is sooty or there is accumulated soot on the smoke baffle	
	The smoke baffle is wrongly positioned	Verify the assembly of the smoke baffle - see assembly instructions.
The stove release smoke when lighting the fire and during combustion	Downdraught in the room caused by no draught, that the house is too "air tight".	Light the fire with an open window. If this helps, more/bigger vents must be installed in the room.
	Downdraught in the room – caused by extractor and/or central ventilation system that pulls too much air out of the room.	Turn off/regulate extractor and/or other ventilation. If this helps, more vents must be installed.
	The flues from two fireplaces/stoves are connected to the same chimney at the same height.	One flue must be repositioned. The height difference of the two flue pipes must be of at least 30 cm.
	The flue is in a declining position from the smoke dome to the chimney.	The flue must be moved so that there is an inclination of at least 10° from smoke dome to chimney. Possibly install a smoke suction device*.
	The flue is too far into the chimney.	The flue must be reconnected so that it does not enter into the chimney but ends 5 mm before the chimney inner wall. Possibly install a smoke suction device*.
	Soot hatch in the basement or attic that is open and thus creating a false draught.	Soot hatches must always be closed. Hatches that are not tight or are defected must be changed.
	Damper/top draught vents or doors on fireplaces that are not in use are open and create a false draught.	Close damper, doors and top draught vents on fireplaces that are not in use.
	An open hole in the chimney after that a fireplace has been removed, thus creating a false draught.	Holes must be completely sealed off with masonry.
	Defect masonry in the chimney, e.g. it is not airtight around the flue pipe entry and/or broken partition inside the chimney creating a false draught.	Seal and plaster all cracks and sites that are not tight.
	The cross-section in the chimney is too large which results in no or very low draught.	The chimney must be refitted, possibly install a smoke suction device*.
	The cross-section in the chimney is too small and the chimney cannot carry out all the smoke.	Change to a smaller fireplace or build new chimney with a larger cross section. Possibly install a smoke suction device*.
The chimney is too low and hence a poor draught.	Increase the height of the chimney and/or install a chimney cap/ smoke suction device*.	
The stove releases smoke inside when it is windy outside.	The chimney is too low in relationship to the surrounding terrain, buildings, trees etc.	Increase the height of the chimney and/or install a chimney cap/ smoke suction device*.
	Turbulence around the chimney due to the roof being too flat.	Increase the height of the chimney and/or install a chimney cap/ smoke suction device*.
The stove does not heat sufficiently.	The combustion receives too much oxygen due to a leakage under the lower border of the stove or too strong chimney draught. Difficult to regulate the combustion and the wood burn up too quickly.	Any possible leakage must be sealed off. A draught regulator or possibly a damper can reduce the chimney draught. NB! A leakage of only 5 cm ² is enough for 30% of the heated air to disappear.
Too much draught	The smoke buffer is wrongly positioned.	Verify the positioning of the smoke buffer – see assembly instructions.
	In case of using oven-dried wood, this requires less air supply than when using normal wood.	Turn down the air supply.
	The gaskets around the door are worn and totally flat.	Replace the gaskets, contact your dealer.
	The chimney is too large.	Contact chimneysweeper or other professional for more details.
The glass is sooty	The wood is too wet.	Only use dry wood with a humidity of maximum 20%.
	The air vent control is closed too tightly.	Open the air vent control to add air to the combustion. When new wood logs are inserted all vent controls should be completely opened or the door slightly opened until the flames have a good take on the wood.
White glass	Bad combustion (the temperature is too low)	Follow the guidelines in this user guide for correct combustion.
	Using wrong material for combustion (such as: painted or impregnated wood, plastic laminate, plywood etc)	Ensure to use only dry and clean wood.
Smoke is released when the door is opened	A levelling out of pressure occurs in the burn chamber.	Open the air vent control for about 1 min before opening the door – avoid opening the door too quickly.
	The door is opened when there is a fire in the burn chamber.	Open the door carefully and/or only when there is hot ember.
White smoke	The combustion temperature is too low.	Increase the air supply.
	The wood is humid and contains water damp.	Ensure to use only dry and clean wood.
Black or grey/black smoke	Insufficient combustion.	Increase the air supply.

WICHTIGE SICHERHEITSHINWEISE:

1. Befolgen Sie beim Anschluss Ihres Kaminofens bzw. Kamins an den Schornstein bzw. das Rauchgasrohr die Installationsanleitung. Wenn Sie von den Anschlussanweisungen abweichen, beachten Sie die Wärmestrahlung vom Rauchgasrohr, die auf die umliegenden Materialien einwirkt.
2. Lesen Sie vor dem Gebrauch sorgfältig die Bedienungsanleitung und befolgen Sie die Anweisungen.
3. Integrierte oder anders hergestellte Konvektionsöffnungen dürfen niemals reduziert oder teilweise überdeckt werden. Dies kann zu einer Überhitzung führen, was wiederum Hausbrände oder schwere Schäden am Produkt verursachen kann.
4. Verwenden Sie nur zulässige Feueranzünder.
Verwenden Sie zum Anzünden niemals Benzin, Diesel oder andere Flüssigkeiten. Dies kann Explosionen verursachen!
5. Verwenden Sie als Brennstoff ausschließlich geschla genes und getrocknetes Naturholz. Briketts, Torf, Koks, Kohle und Bauabfälle erzeugen weitaus höhere Temperaturen und Emissionen als Naturholz. Da Ihr Produkt nur für eine Verwendung mit Naturholz ausgelegt ist, können andere Brennstoffe das Produkt, den Schornstein und die umliegenden Bauten be schädigen.
6. Bei Schäden an Glas oder Türdichtung darf das gesamte Produkt erst wieder verwendet werden, nachdem eine Reparatur ausgeführt wurde.
7. Produkte, die an einen belüfteten Stahlschornstein angeschlossen sind, dürfen nicht mit offener oder angelehnter Tür betrieben werden. Ausnahmen stellen natürlich das Nachladen von Brennstoff oder kurzzeitig während des Anzündens dar.

Eine Nichtbeachtung dieser Vorsichtsmaßnahmen führt zu einem Erlöschen der Garantie und setzt Personen sowie Eigentum Gefahren aus.

Hinweis: Auch wenn dies bei Ihnen nicht erfordert wird, empfiehlt es sich stets, einen qualifizierten Kaminofen-/Kamininstallateur mit der Montage zu beauftragen oder zumindest eine Endabnahme vor der Inbetriebnahme ausführen zu lassen.

INHALTSVERZEICHNIS

1. Allgemeine Information zu wärmespeichernden Feuerstellen	10
Ventil für Verbrennungsluft	10
Reinigung der Rauchkanäle	10
Asche und Aschenlade	10
Gewicht	10
Hitzeschutzwand	10
Anschluss an den Schornstein	10
Kleber	11
Kleinere Beschädigungen	11
Anstrich	11
Verputz	11
Fliesen/Kacheln	11
Thermotte™	11
Risse im Power Stone™	11
2. Garantie	11
Wiedergewinnung von feuerfestem Glas	11
Entsorgung des Verpackungsmaterials	11
Feuerraumtür und Sichtscheibe	12
3. Tipps zur Befeuerung	12
Verbrennungsgeschwindigkeit	12
Befeuerungsrhythmus	12
Aufbewahrung des Holzes	12
Befeuern	12
4. Technische Information	13
5. Vor dem Aufbau des Gerätes	13
Schornsteinzug	13
Zuluft (=mm AIR)	13
Wichtig! Austrocknungsprozess	14
Befeuerungsrhythmus	14
6. Montage	14
7. Hilfe bei Problemen mit der Verbrennung	15

1. Allgemeine Information zu wärmespeichernden Feuerstellen

Wärmespeichernde Feuerstellen unterscheiden sich von anderen Feuerstellen durch ihre moderate Wärmeabgabe über einen längeren Zeitraum bei geringer Befeuerung. Normale Geräte geben bei kräftiger Befeuerung viel Wärme ab und haben eine kurze Abkühlzeit. Die wärmespeichernden Feuerstellen von Nordpeis haben ein langes Kanalsystem, bei dem die in der Brennkammer entwickelte Wärme durch das Kanalsystem geleitet wird, bevor sie den Schornstein erreicht. Die Rauchgastemperatur wird von dem die Rauchkanäle auskleidenden Material absorbiert und bevor der Rauch den Schornstein erreicht. Der Wirkungsgrad einer gut wärmespeichernden Feuerstelle liegt lange über der einer normale Feuerstelle. Eine wärmespeichernden Feuerstelle kann eine gleichmäßige Temperatur den ganzen Tag über bei nur zwei Befeuerungszyklen halten.

Der Ofen ist zusätzlich zu dem herkömmlichen Luftregler mit einer Luftklappe ausgestattet. Die Luftklappe sollte während des Betriebs immer vollständig geöffnet sein. Die Verbrennung lässt sich durch Drehen des Luftreglers regulieren. Die Luftklappe sollte erst am Ende eines Verbrennungsvorgangs geschlossen werden, wenn das Holz vollständig zu Glut geworden ist. Dadurch wird ein weiteres Durchströmen des Ofens verhindert und die Wärme entweicht nicht durch den Schornstein.

WICHTIG: Das Schließen der Luftklappe während des Betriebs führt zu einer Ansammlung von Verbrennungsgasen im Inneren des Ofens und kann zu einer gefährlichen Verpuffung führen.

Katalysator

Der Katalysator trägt zur Reduzierung der Emissionen von organischen Gasen, CO sowie Partikeln bei und kann bei korrekter Handhabung Jahrzehnte lang genutzt werden. Der Katalysator ist nur für pures, naturbelassenes Holz ausgelegt. Durch die Verbrennung von Kunststoffen, leimhaltigem Holz, Lacken, Farben usw. wird die Lebensdauer des Katalysators drastisch verkürzt, schlimmstenfalls wird er zerstört oder blockiert. Unter normalen Umständen ist der Katalysator selbstreinigend, kann aber durch die Verwendung von ungeeignetem Brennstoff verstopfen. Zur Reinigung kann Druckluft oder ein Staubsauger verwendet werden.

Ventil für Verbrennungsluft

Es ist üblich, wärmespeichernde Feuerstellen bei voll geöffnetem Ventil für Verbrennungsluft zu befeuern. Das bewirkt eine optimale Verbrennung und verhindert weitgehend Rußablagerungen im Kanalsystem. Intensives Befeuern hält auch leichter die Sichtscheibe rein. Wünscht man trotzdem eine längere Brennperiode und ein ruhigeres Flammenbild, kann man die Luftzufuhr mit dem Lüftungsventil drosseln.

Reinigung der Rauchkanäle

Bei täglichem Gebrauch der Feuerstelle während der Saison empfehlen wir, dass Sie ihr Kanalsystem einmal im Jahr reinigen, um den Zug und den Wirkungsgrad zu optimieren. Verrußte Kanäle verengen und senken dadurch den Wirkungsgrad. Der Zug wird schlechter und es wird schwierig, das Flammenbild mit dem Ventil für Verbrennungsluft zu steuern.

Beachten Sie, dass die Feuerstelle vor der Reinigung oder Inspektion stets abgekühlt sein muß.

Die Inspektion muss von professionellen Servicetechnikern ausgeführt werden.

Asche und Aschenlade

Der Aschekasten besteht aus einem inneren Teil, der für die regelmäßige Ascheentleerung verwendet wird. Das Kanalsystem kann erreicht werden, wenn der äußere Teil des Aschekastens herausgenommen wird.

Anleitung zum Reinigen: Entfernen Sie vorsichtig die Thermotte-Umlenkplatte (LA-SAL06-040). Dann entfernen Sie vorsichtig die zweite Umlenkplatte mit dem Katalysator (LA-SAL06-070), indem Sie diese anheben und drehen, bis die Halterungen der Umlenkplatte und die Außenblöcke in der Umlenkplatte übereinstimmen, dann senken Sie die Umlenkplatte ab und achten darauf, dass der Katalysator nicht herunterfällt. Reinigen Sie die drei spiralförmigen Kanäle mit einer Reinigungsbürste mit einem Durchmesser von ca. 100 mm und entfernen Sie die Verunreinigungen, welche in die Brennkammer fallen.

Der Zugang zum Reinigen eines seitlichen / hinteren Verbindungsrauchrohrs erfolgt durch den Deckel für den oberen Anschluss.

Die Asche muß regelmäßig entfernt werden. Beachten Sie, dass die Asche auch mehrere Tage nach dem letzten Befeuern Glut enthalten kann. Benützen Sie ein feuerfestes Gefäß, um die Asche zu entfernen.

Gewicht

Der Hausbesitzer muß sich vergewissern, daß der Boden die Belastung des Gesamtgewichts der Feuerstelle trägt.

Hitzeschutzwand

Freistehende Feuerstellen können ohne Hitzeschutzwand aufgestellt werden. Beachten Sie alle angegebenen Sicherheitsabstände zu brennbaren Gegenständen.

Anschluss an den Schornstein

Folgen Sie den Anweisungen des Herstellers. Stellen Sie Ihr Produkt lose auf und markieren Sie genau die Höhe und Position des Anschlusses an den Schornstein.

Höchstgewicht eines Schornsteins aus Stahlelementen bei Anschluß „oben“: 300 kg

Dieses Gerät kann nicht an einen Schornstein aus Beton mit Anschluß „oben“ angeschlossen werden. Bei Anschluß „oben“ an einen Schornstein aus Stahlelementen halten Sie sich an die Montageanleitung des Herstellers.

Anforderungen an die Bodenplatte bei brennbarem Bodenbelag

Folgen Sie den landesabhängigen Regeln gemäß der Anforderungen an eine Bodenplatte (Stein, Stahl, usw)

Kleber

Die Außenelemente werden mit dem beiliegenden Akrylkleber geklebt. Die Klebeflächen müssen frei von Staub sein. Für bessere Haftung können die Oberflächen feucht abgewischt werden, sie müssen aber ganz trocken sein, bevor der Kleber aufgetragen wird.

Nachdem Ihr Gerät fertig aufgestellt ist, füllen Sie die Fugen zwischen den Elementen mit Akrylkleber. Glätten Sie danach die Oberfläche mit einer eingeseiften Fingerspitze oder Schwamm, und ermöglichen Sie, dass trotz der Glättung eine deutliche Markierung in der Verbindung zwischen den Elementen sichtbar bleibt. (FIG Z)

Kleinere Beschädigungen

Durch Transport und Montage kann es zu kleinen Schäden am Produkt kommen. Diese können mit dem mitgelieferten Zementkleber ausgebessert werden. Für ein optimales Resultat können Sie über dem Fliesenleim mit einer geeigneten Spachtelmasse verspachteln und nachschleifen. Kleine Unebenheiten werden verspachtelt. Wenn die Beschädigung tiefer ist, empfehlen wir diese in zwei Durchgängen zu verspachteln, um neue Senkungsrisse zu vermeiden. Nachfolgend glätten Sie die Oberfläche mit einem feuchten Schwamm oder Sandpapier.

Anstrich

Verwenden Sie eine mineralische Farbe. Falls die Oberfläche widererwarten Unebenheiten aufweist, können Sie diese mit einer leichten Spachtelmasse der dem mitgelieferten Akryl ausbessern.

Verputz

Wenn Ihnen eine traditionell verputzte Oberfläche besser gefällt, befeuchten Sie die Verkleidung und bedecken Sie sie ganz mit Fliesenleim und einem Glasfibernetz, bevor Sie Mörtel -oder Mineralverputz auftragen.

Fliesen/Kacheln

Der Speicherofen kann auch teilweise oder ganz mit Fliesen, Kacheln oder Naturstein Ihrer Wahl verkleidet werden. Um eine gute Haftung zu gewährleisten und um Risse zwischen den Verkleidungsteilen zu verhindern, empfehlen wir- wie bei Mörtelverputz - dass die Oberfläche befeuchtet wird, bevor sie mit Fliesenleim und Glasfibernetz überzogen wird.

Beachten Sie, dass Kleber und Mörtel ausgehärtet sein müssen, bevor Sie den Speicherofen das erste Mal befeuern. Befolgen Sie die Anweisungen des Kleber/Mörtelproduzenten. Unabhängig von der Oberflächenverkleidung ist es ratsam, den ganzen Rahmen der Feuerraumtür abzukleben, um sich eine spätere Reinigung zu ersparen. **Beachten Sie, dass der Luftspalt zwischen Verkleidung und Rahmen der Feuerraumtür nicht mit Kleber, Mörtel oder Ähnlichem verstopft wird.**

Thermotte®

Die Isolierplatten (Thermotte) sind als Verschleißteile eingestuft und müssen deshalb nach einigen Jahren ausgetauscht werden. Die Verschleißzeit hängt von der individuellen Nutzung Ihres Produktes ab. Nordpeis gibt auf diese Teile 1 Jahr Garantie. Danach können Ersatzteile gekauft werden. Beachten Sie, dass zu lange Holzscheite Spannungsdruck auf die Platten ausüben und diese beschädigen oder brechen können.

Risse im Power Stone

Thermische Einwirkungen können kleine Risse im Power Stone verursachen. Das ist natürlich und beeinträchtigt weder Qualität noch Funktion oder Sicherheit des Produktes.

2. Garantie

Ausführliche Information über Garantieregelungen entnehmen Sie bitte der beiliegenden Garantiekarte oder unserer Internetseite www.nordpeis.de

Warnung! Verwenden Sie ausschließlich vom Hersteller empfohlene Ersatzteile.

Warnung! Unbefugte Modifikationen am Gerät ohne schriftliche Genehmigung des Herstellers sind verboten.

Wiedergewinnung von feuerfestem Glas

Feuerfestes Glas kann nicht wiedergewonnen werden! Bruchglas und nicht wiederverwendbares, hitzebeständiges Glas muss als Restmüll entsorgt werden. Feuerfestes Glas hat eine höhere Schmelztemperatur und kann daher nicht mit dem Altglas entsorgt werden. Bei gemeinsamer Entsorgung mit Altglas würde es die Wiedergewinnung des Rohmaterials aus dem Altglas zerstören. Es stellt einen wichtigen Beitrag zur Umwelt dar, feuerfestes Glas nicht mit dem Altglas zu entsorgen, sondern als Sondermüll an Ihrer Entsorgungsstelle.

Entsorgung des Verpackungsmaterials

Die Produktverpackung soll vorschriftsmässig (länderspezifisch) entsorgt werden.

**FEUERFESTES GLAS
KANN NICHT
WIEDERGEWONNEN
WERDEN**

**Feuerfestes Glas muss
als Restmüll, gemeinsam
mit Keramik und Porzellan
entsorgt werden**



Feuerraumtür und Sichtscheibe

Wenn die Sichtscheibe rußig ist, dürfen keine abschürfenden Reinigungsmittel verwendet werden. Verwenden Sie daher ein passendes Glasreinigungsmittel und vermeiden Sie, daß das Mittel mit dem Lack in Berührung kommt. Reinigungsmittel schaden dem Lack, falsche Reinigungsmittel schaden dem Glas! Ein guter Tipp ist, mit einem feuchten Lappen oder Küchenpapier etwas Asche aus der Brennkammer aufzunehmen und damit die Glasscheibe abzureiben. Dann mit einem frischen, feuchten Küchenpapier nachputzen.

Merke: Niemals im warmen Zustand das Glas reinigen!

In regelmäßigen Abständen sollten die Dichtungen ausgetauscht werden, damit Ihr Gerät gut dicht ist und optimal funktioniert.

3. Tipps zur Befeuerung

Verbrennungszyklus

Ein wärmespeicherndes Gerät soll nicht durch übertriebenes Befeuern überbeansprucht werden, das könnte in Extremfällen das Produkt beschädigen. Um das Gerät maximal zu nutzen, ist es wichtig, einen optimalen Befeuerungsrythmus zu haben und die Größe der Holzscheite und Menge anzupassen. Informieren Sie sich über die richtigen Befeuerungsintervalle Ihres Gerätes und welche Holzscheite für Ihr Gerät die Richtigen sind.

Befeuerungsrythmus

Zum Anfeuern verwendet man am Besten Anzündwürfel und Schnittholz. Zeitungspapier macht viel Asche und außerdem ist Druckerschwärze schädlich für die Umwelt. Auch Flugblätter, Zeitschriften und alte Milchkartons sollen nicht im Kamin verbrannt werden. Beim Befeuern ist eine gute Luftzufuhr wichtig. Wenn der Schornstein erwärmt ist, herrscht besserer Zug und Sie können die Feuerraumtür schließen.

Warnung! Um Verletzungen zu vermeiden, beachten Sie, dass die Oberfläche beim Betrieb heiß werden kann. Daher ist besondere Vorsicht geboten, damit keine Hautverbrennungen verursacht werden.

Achtung! Verwenden Sie nie flüssige Brennstoffe wie Petroleum, Paraffin oder Spiritus zum Befeuern. Sie können sich verletzen und Ihrem Gerät schaden.

Es ist wichtig, immer reines, trockenes Holz zu verwenden; maximaler Feuchtigkeitsgehalt 20%; minimaler Feuchtigkeitsgehalt 16%. Feuchtes Holz braucht viel Luft - also extra Energie und Wärme - zur Verbrennung; der Wärmeeffekt ist stark verringert; es verußt den Schornstein und es kann sogar zum Schornsteinbrand kommen.

Warnung! Schließen Sie bei einem Schornsteinbrand die Tür sowie die Luftzufuhr für Speicherofen bzw. Einsatz. Rufen Sie die Feuerwehr. Nach einem Schornsteinbrand muss der Schornstein in jedem Fall von einem zugelassenen Schornsteinfeger inspiziert werden, bevor das Produkt wieder verwendet werden darf. appliance again.

Aufbewahrung des Holzes

Um trockenes Holz zu garantieren, soll der Baum im Winter gefällt werden und im Sommer zum Trocknen geschnitten, unter einem Dach, bei guter Belüftung aufbewahrt werden. Das Holz soll nicht mit einer Plastikplane abgedeckt sein, die bis zum Boden reicht, da dies wie eine Isolierung wirkt und das Holz nicht trocknen läßt. Lagern Sie immer ein paar Tage vor der Benutzung kleinere Mengen von Holz drinnen, damit die Feuchtigkeit an der Oberfläche des Holzes verdampfen kann.

Befeuern

Wenn zu wenig Verbrennungsluft zugeführt wird, kann das Glas verußten. Deshalb ist es wichtig, gleich nach dem Beladen Luft zuzuführen; das schafft kräftige Flammen in der Brennkammer und es verbrennen auch die Gase.

Öffnen Sie das Sekundärluftventil / Regler für die Verbrennungsluft und lehnen Sie die Feuerraumtür nur leicht an, so daß die Flammen gut greifen können. Beachten Sie, daß eine zu hohe Luftzufuhr bei geschlossener Feuerraumtür Ihr Gerät auf extreme Temperaturen aufheizen kann und ein unkontrollierbares Feuer hervorruft. Deshalb sollen Sie nie die Brennkammer ganz mit Holz anfüllen.

Das Ziel ist ein gleichmäßiges Feuer bei geringer Holzmenge. Wenn Sie zu viele Holzscheite in die Glut legen, kann die zugeführte Luft nicht genügend erwärmt werden und die Gase entweichen unverbrannt durch den Schornstein.

**Warnung!
Die Brennkammer muss außer beim Feuermachen, Nachlegen und Entleeren der Asche stets geschlossen sein.**

Ihr Nordpeis-Gerät ist nur für Verbrennung von Schnittholz konstruiert und zugelassen. Überhitzen Sie niemals Ihr Gerät; es können

irreparable Schäden verursacht werden, die von der Garantie nicht gedeckt werden.

Achtung! Es ist verboten, imprägniertes oder lackiertes Holz, Plastik, Furnier, Spanplatten, Milchkartons und jede Art von Abfall in Ihrem Gerät zu verbrennen. Diese Materialien entfachen bei der Verbrennung giftige, ätzende Gase wie Dioxin, die Ihnen, der Umwelt und Ihrem Gerät schaden.

Zur eigenen Sicherheit befolgen Sie die Montageanleitung.
Alle Sicherheitsabstände sind Mindestabstände. Jede Installation einer Feuerstelle muß den landesgemäßen Vorschriften und Regeln entsprechen.
Nordpeis haftet nicht für unsachgemäße Montage oder Installation.

4. Technische information Salzburg R/ Salzburg R Extension Base / Salzburg R+1

Mindestabstände zu brennbaren Bauteilen	Von hinten 30 mm (*) 200 mm 200 mm (+1)
(*) mit Hitzeschutzblech	Seitlich 450 mm (*) 450 mm 450 mm (+1)
CO % (13% O ₂)	<1500 mg/m ³
Rauchgastemperatur	195 °C 129 °C (+1)
Gesamtwärmeleistung:	36,85 kWh 39,10 kWh (+1)
Speicherkapazität	100% nach 4,0 stunde 50% nach 11,2 stunde 25% nach 17,9 stunde
+1	100% after 3,6 stunde 50% after 10,8 stunde 25% after 17,1 stunde
Wirkungsgrad	84 % 91 %
Nennwärmeleistung während der Wärmeabgabe(100%-25%)	2,1 kW 2,3 kW (+1)
Abgassmassenstrom bezogen auf NWL	7,0 (g/s) 9,7 (g/s) (+1)
Abgastemperatur gemessen im Abgasstutzen	234 °C
Förderdruck	12 Pa
Länge der Holzscheite	350 mm
Produktgewicht	675 kg 705 kg (mit high base) 890 kg (+1)
Empfohlene Holzmenge beim Befeuern/Nachlegen	2 kg
Maximales Nachlegen pro Befeuerszyklus	5x im Abstand von je 45 min
Befeuerszyklus pro Tag	1

5. Vor dem Aufbau des Gerätes

Alle unsere Geräte sind geprüft und entsprechen den neuesten europäischen Sicherheitsvorschriften. Vor der Installation Ihres Gerätes beachten Sie bitte alle geltenden Bestimmungen. *1/ siehe Punkt 9 / Grundsätzliche Anforderungen. Nordpeis ist nicht für widerrechtliche oder inkorrekte Instalation Ihres Gerätes verantwortlich.

Bitte prüfen Sie:

- Abstand zwischen Brennkammer und brennbarer Umgebung
- Anforderungen an das Isoliermaterial zwischen Verkleidung und Hinterwand
- Größe der Bodenplatte vor dem Gerät, falls Sie eine brauchen
- Rauchrohranschluß zwischen Brennkammer und Schornstein
- Anforderungen an das Isoliermaterial, falls das Rauchrohr durch eine brennbare Wand geht

Schornsteinzug

Der Schornstein ist ein wichtiger Faktor für die volle Nutzung einer Feuerstätte. Selbst das beste Gerät wird schlecht funktionieren, wenn der Schornstein falsch dimensioniert oder nicht in einwandfreiem Zustand ist. Der Schornsteinzug ist in erster Linie von der Höhe und dem inneren Durchmesser er des Schornsteins abhängig, sowie von der Rauchgas- und Außentemperatur. Der Durchmesser des Schornsteins darf nie geringer als der Durchmesser des Rauchrohres sein.
Mindestförderdruck bei Nennleistung 12-25Pa.

Der Zug (Förderdruck) wird stärker, wenn

- der Schornstein wärmer ist als die Außenluft
- bei längerem Schornstein
- gute Luftzufuhr bei der Verbrennung gewähr leistet ist

Wenn der Durchmesser des Schornsteins im Vergleich zur Feuerstätte zu groß ist, ist es schwierig guten Zug zu erzielen, da sich der Schornstein nicht genügend erwärmt. In diesem Fall holen Sie bitte den Rat des Fachmanns ein, der Sie sicher berät. Falls notwendig, kontaktieren Sie einen Schornsteinfeger.

Zuluft (=mm)

Ein Frischluftzufuhrset ist als Zubehör erhältlich. Damit wird sichergestellt, dass die Luftzufuhr zur Brennkammer weniger von Lüftungssystemen, Küchenventilatoren und anderen Faktoren beeinflusst wird, die einen Abwärtszug im Raum verursachen können. Bei allen Neubauten empfehlen wir nachdrücklich, dass das Produkt für eine Direktzufuhr von Außenluft entwickelt und vorbereitet wird. In älteren Gebäuden wird darüber hinaus die Nutzung des Frischluftzufuhrsets empfohlen. Eine unzureichende

Luftzufuhr kann einen zu geringen Zug und damit einen zu niedrigen Verbrennungswirkungsgrad verursachen, was folgende Probleme nach sich zieht: Rußflecken auf dem Glas, ineffiziente Holzverbrennung und Rußablagerungen im Schornstein.

Warnung! Lufteinlässe, durch die Verbrennungsluft strömt, dürfen nicht blockiert werden.

Warnung! Aktive Abluftventilatoren im selben Raum oder Bereich wie das Gerät können Probleme verursachen.

Maßzeichnungen (FIG 1 - 1B)

*Die Abbildung zeigt die Mitte der ungefähren Höhe in der vorgesehenen Öffnung für das Rauchrohr. Wenn Sie das Loch in den Schornstein bohren, denken Sie an einen eventuellen Anstieg des Rauchrohrs. Schiefe Böden oder Wände beeinflussen die Abmessungen. Stellen Sie daher die Verkleidung lose auf und zeichnen Sie die genaue Position für die Einführung des Rauchrohrs an. Markieren Sie auch gleich ein Loch im Boden, wenn Sie ein Zuluftkit (Frischluftzufuhr von außen als Zubehör) anschließen möchten.

Achtung! Da der innere Kern der Power-Stone Elemente aus mehreren Schichten besteht, kann der Anschluß, je nach Installation, um einige Zentimeter variieren

Sicherheitsabstände (FIG 2 - 2B)

Die angegebenen Sicherheitsabstände müssen eingehalten werden.

Bei einer Montage in Verbindung mit hochwärmegedämmten Wänden addieren Sie bitte 50mm zu allen angegebenen Sicherheitsabständen.

Wichtig!! Austrocknungsprozess

Die neue Feuerstelle enthält viel Feuchtigkeit welche zunächst entweichen muß, bevor Sie dem vollen Befeuerungsrythmus folgen können.

Folgen Sie:

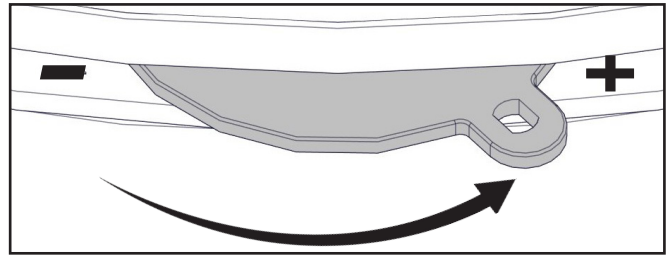
1. Öffnen Sie das Luftzufuhr an der Feuerraumtür.
2. Stellen Sie sicher, dass die Luftklappe geöffnet ist (FIG *).
3. Entzünden Sie ein Häufchen von 0,5-1kg kleingeschnittenem Holz an.

Achtung! Belassen Sie den Luftregler und die Luftklappe offen, bis das Feuer ausgebrannt ist.

Machen Sie einen Tag Pause und dann wiederholen Sie diese Prozedur zweimal, immer mit einem Tag Pause dazwischen.

Achtung! Befolgen Sie diese Anweisungen, da andernfalls Elemente in der Feuerstelle beschädigt werden können.

Der Luftregler wird nach rechts bewegt, um die Luftzufuhr für den Salzburg R zu erhöhen.



Befeuerungsrythmus

Eine wärmespeichernde Feuerstelle ist konzipiert, um in relativ kurzer Zeit intensiven Befeuerns die gesammelte Wärme über einen verlängerten Zeitraum abzugeben.

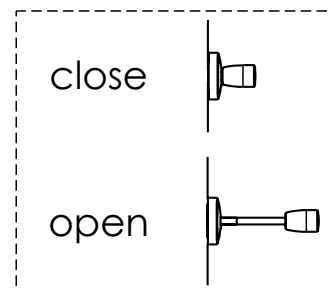
Achtung! Wenn Sie das berechnete Befeuerungsmuster überschreiten, erhöhen Sie die Oberflächentemperatur, die Temperatur zu brennbaren Wänden und es kann sich der Anstrich verfärben.

Um die richtige Größe der Holzscheite und den korrekten Befeuerungsrythmus für Ihr Produkt zu finden, halten Sie sich bitte an die Angaben in der Tabelle.

Wenn die letzte Beladung in die Glutphase übergegangen ist und nur noch wenig Glut vorhanden ist, werden Luftregler und Luftklappe geschlossen, um zu verhindern, dass Hitze durch den Schornstein entweicht.

Achten Sie darauf, die Luftklappe wieder zu öffnen, bevor Sie ein Feuer im Kamin entzünden.

FIG *



Die Zündungsposition sollte nur genutzt werden, wenn es nötig ist und nur für kurze Zeit (10-15 Minuten), wenn das Feuer entzündet wird, und bei Neubeladung, damit Rauch und Asche nicht ins Zimmer gelangen. Anhaltendes Verbrennen in der Zündungsposition kann zu einer Überhitzung führen.

6. Montage

Bitte beachten Sie: um die optimale Funktion des Produktes zu gewährleisten, ist es unumgänglich, die Montageanleitung gründlich zu lesen und diese zu befolgen.

Hilfe bei Problemen mit der Verbrennung

FEHLER	ERKLÄRUNG	BEHEBUNG
Zu wenig Zug	Rauchrohr verstopft.	Schornsteinfeger/Fachhändler kontaktieren oder Rauchrohr und Brennkammer reinigen.
	Rauchrohr verrußt oder Rußverstopfung an der Rauchgasprallplatte.	
	Rauchgasprallplatte falsch angebracht.	Kontrollieren Sie die Position der Rauchgasprallplatte. Siehe Montageanleitung.
Das Gerät gibt beim Befeuern und während der Verbrennung Rauch ab	Unterdruck im Raum. Zu wenig Zug. Das Haus ist zu „dicht“.	Öffnen Sie während der Befeuerung ein Fenster. Wenn dies hilft, müssen Sie weitere oder größere Lüftungsventile in den Außenwänden installieren.
	Lüftungsanlagen, die dem Raum zu viel Luft entziehen, verursachen Unterdruck.	Dunstabzugshauben, die zusammen mit Feuerstätten im selben Raum oder Raumverbund installiert sind, können die Funktion der Feuerstätte beeinträchtigen und dürfen nicht gleichzeitig mit der Feuerstätte betrieben werden.
	Rauchrohre von zwei Feuerstätten sind auf der gleichen Höhe an einem Schornstein angeschlossen.	Ein Rauchrohr muss verlegt werden. Die Differenz zwischen den beiden Rauchrohren soll mindestens 30 cm betragen.
	Das Rauchrohr fällt vom Rauchgassammler zum Schornstein ab.	Das Rauchrohr muss in eine aufsteigende Position gebracht werden, indem der Winkel zwischen Rauchgassammler und Schornstein mindestens 10 Grad beträgt. Eventuell Abgasventilator installieren.
	Das Rauchrohr ragt zu weit in den Schornstein hinein.	Rauchrohr ummontieren. Rauchrohr darf nicht in den Schornstein hineinragen, sondern muss 5 mm vor der Innenwand des Schornsteins enden. Eventuell Abgasventilator installieren.
	Die Rußluke im Keller oder am Dachboden ist offen und verursacht falschen Zug.	Rußluke muss immer geschlossen sein. Undichte oder kaputte Rußluken müssen ausgetauscht werden.
	Ofenklappe, Ventile oder Einsatztüren von Feuerstätten, die nicht in Betrieb sind, stehen offen und verursachen falsche Druckverhältnisse.	Ofenklappe, Feuerraumtür und Regler von Feuerstätten, die nicht in Betrieb sind, schließen.
	Offenes Loch im Schornstein von einer Feuerstätte, die entfernt wurde, schafft falsche Druckverhältnisse.	Loch muss geschlossen werden.
	Kaputtes Mauerwerk oder beschädigte Trennwand im Schornstein oder undichter Rauchrohranschluss verursachen falsche Druckverhältnisse.	Alle Öffnungen und Risse abdichten oder verputzen.
	Zu großer Durchmesser des Schornsteins verursacht keinen oder zu wenig Zug.	Schornstein innen ausfüllern, eventuell Abgasventilator installieren.
	Zu geringer Durchmesser des Schornsteins behindert das Entweichen der Abgase.	Kleinere Feuerstätte installieren oder neuen Schornstein mit erweitertem Durchmesser bauen. Eventuell Abgasventilator installieren.
Zu niedriger Schornstein verursacht schlechten Zug.	Schornstein verlängern.	
Der Kamineinsatz raucht, wenn es draussen windig ist	Der Schornstein ist zu niedrig im Verhältnis zu dem ihn umgebenden Milieu, Bäume, Häuser etc.	Schornstein verlängern. Kaminhut anbringen oder Abgasventilator installieren.
	Windturbulenz um den Schornstein wegen zu flachem Dach.	Schornstein verlängern oder Kaminhut anbringen.
Der Kamin heizt nicht gut genug	Zu starker Kaminzug oder Undichte im unteren Teil der Feuerstätte, daher zu viel Sauerstoff bei der Verbrennung. Schwierigkeiten bei der Regulierung der Verbrennung, Holz verbrennt zu schnell.	Jegliche Undichte abdichten. Der Kaminzug kann mit Hilfe eines Zugreduzierers oder einer Ofenklappe reduziert werden. Merke: eine Undichte von nur 5 cm ² verursacht 30% Verlust von Warmluft.
Zu starker Kaminzug	Rauchgasprallplatte falsch angebracht.	Montage der Rauchgasprallplatte kontrollieren.
	Bei Gebrauch von ofengetrocknetem Holz weniger Luftzufuhr nötig.	Luftzufuhr verringern.
	Türdichtungen abgenutzt.	Wenden Sie sich an Ihren Fachhändler, um die Dichtungen auszutauschen.
	Zu großer Schornstein.	Schornsteinfeger/Fachhändler kontaktieren.

Hilfe bei Problemen mit der Verbrennung

FEHLER	ERKLÄRUNG	BEHEBUNG
Glasscheibe verrusst	Feuchtes Holz.	Nur trockenes Holz mit höchstens 20% Feuchtigkeit verwenden.
	Sekundärluftventil/Regler für die Verbrennungsluft zu weit geschlossen.	Sekundärluftventil/Regler für die Verbrennungsluft für bessere Luftzufuhr mehr öffnen. Beim Nachlegen soll das Ventil immer voll geöffnet sein oder die Feuerraumtür nur angelehnt sein, um die Flammen gut zu entfachen.
Weiss verschmutztes Glas	Schlechte Verbrennung (zu niedrige Temperatur im Ofen).	Anweisungen für richtiges Befeuern in der Montageanleitung lesen.
	Falsches Befeuern (mit Abfallholz, lackiertem oder imprägniertem Holz, Plastik, sonstigem Abfall).	Ausschließlich trockenes, reines Spaltholz verwenden.
Bei Öffnen der Feuerraumtür dringt Rauch in den Raum	Es entsteht Druckausgleich in der Brennkammer.	Sekundärluftventil ca. 1min vor Öffnen der Feuerraumtür schließen; Feuerraumtür nicht rasch öffnen.
	Feuerraumtür wird während Flammenbildung geöffnet.	Feuerraumtür ganz vorsichtig oder nur bei Glut öffnen.
Weisser Rauch	Verbrennungstemperatur zu niedrig.	Luftzufuhr erhöhen.
	Das Holz ist zu feucht und hält Wasserdampf.	Ausschließlich reines, trockenes Spaltholz verwenden.
Schwarzer oder grauschwarzer Rauch	Unvollständige Verbrennung.	Luftzufuhr erhöhen.

CONSIGNES DE SÉCURITÉ IMPORTANTES: INDEX

1. Veuillez suivre les instructions d'utilisation du manuel lorsque vous raccordez votre poêle/foyer à la cheminée/au conduit. Si le raccordement se fait différemment des instructions, veuillez tenir compte du rayonnement thermique du conduit de fumée par rapport aux matériaux environnants.
2. Avant toute utilisation, veuillez lire attentivement le mode d'emploi et suivre les instructions.
3. Les ouvertures de convection intégrées ou désignées ne doivent jamais être totalement ou partiellement obstruées. Cela peut conduire à une surchauffe, ce qui peut à son tour provoquer un incendie dans la maison ou des dommages graves au produit.
4. Utiliser uniquement des allume-feux prévus à cet effet. **Ne jamais utiliser d'essence, de diesel ou d'autres liquides pour démarrer le feu. Cela peut provoquer des explosions !**
5. N'utilisez jamais d'autres combustibles que le bois naturel sec, sous forme de bûches. Les briquettes, la tourbe, le coke, le charbon et les déchets des matériaux de construction développent des températures et des émissions beaucoup plus élevées que le bois naturel. Étant donné que votre produit a été conçu pour être utilisé uniquement avec du bois naturel, d'autres carburants peuvent endommager le produit, la cheminée et les constructions environnantes.
6. En cas de dommages de la vitre ou du joint d'étanchéité de la porte, toute utilisation du produit doit être interrompue jusqu'à ce que le dommage soit réparé.
7. Les produits raccordés avec un conduit double flux ne doivent jamais fonctionner avec une porte ouverte ou entrouverte autre que le rechargement du bois ou brièvement pendant le processus d'allumage.

Le non-respect de ces précautions entraînera la perte de votre garantie et exposera les personnes et les biens à un danger.

Conseil : Même si cela n'est pas exigé dans votre pays, il est toujours conseillé de s'adresser à un installateur de poêle/de foyer agréé pour le montage, ou au moins pour l'inspection finale avant utilisation.

1. Les poêles à accumulation - informations générales	18
Nettoyage du système de conduit d'air chaud	18
Cendre et Cendrier	18
Poids	18
Mur Pare-feu	18
Raccordement à la cheminée	18
Exigences pour les plaques de sol en cas de sol combustible	19
Colle	19
Petits Eclats	19
Peinture	19
Polissage	19
Faïences	19
Thermotte™	19
Fissures dans le PowerStone	19
2. Garantie	19
Recyclage du verre réfractaire	20
Recyclage de l'emballage	20
Porte et verre	20
3. Conseils pour allumer un feu	20
Allure de combustion	20
Entreposage du bois	20
Conseils généraux pour le feu	20
Choix de combustible	21
4. Informations Techniques	21
5. Avant d'assembler le poêle	21
Le tirage de cheminée	22
L'apport d'air (=mm AIR)	22
Attention! Procédure de séchage	22
Rythme de combustion	22
6. Assemblage	23
7. Conseils en cas de problèmes de combustion	24

Informations générales

Les poêles à accumulation de chaleur se différencient des autres poêles et cheminées car ils sont destinés à fournir une chaleur douce pendant des périodes prolongées avec un temps limité de combustion. Les poêles traditionnels dégagent une forte chaleur pendant la période de combustion mais ils ont une période très courte de refroidissement.

Avec les poêles à accumulation de chaleur Nordpeis, la chaleur produite dans la chambre de combustion passe par un long conduit avant de ressortir par la cheminée. La chaleur de la fumée est absorbée par le matériau autour des conduits de fumée, et au moment où la fumée sort par la cheminée. Un poêle à accumulation de chaleur bien conçu est donc beaucoup plus efficace qu'un poêle/cheminée traditionnel.

Un poêle à accumulation de chaleur peut garder une température constante pendant toute la journée avec seulement deux cycles de chauffage.

Le poêle est équipé d'un registre d'air en plus du contrôle d'air de la chambre de combustion. Le volet d'air doit toujours être complètement ouvert pendant le fonctionnement du poêle et le taux et le réglage de la combustion peut être réglé en augmentant ou en diminuant le contrôle d'air sous foyer. Le volet d'air ne doit être fermé qu'à la fin d'un cycle de combustion après que le bois soit transformé en braise. Ceci pour empêcher la circulation d'air dans le poêle et ainsi empêcher une partie de la chaleur de se dissiper par la cheminée. **IMPORTANT : La fermeture du volet d'air pendant le fonctionnement entraînera une accumulation de gaz à l'intérieur de la chambre de combustion et peut entraîner des explosions.**

Catalyseur

Le catalyseur aide à réduire les émissions de gaz organiques, de CO et de particules fines, et peut potentiellement avoir une durée de vie de plusieurs décennies, s'il est utilisé et entretenu correctement.

Le catalyseur est conçu uniquement pour les essences de bois naturel. En brûlant des plastiques, du bois contenant de la colle, des vernis, des peintures, etc., réduira considérablement la durée de vie du catalyseur, dans le pire des cas le détruira ou l'encrassera. Dans des circonstances normales, le catalyseur est autonettoyant, mais peut être obstrué si un carburant inapproprié est utilisé. Il peut être nettoyé à l'aide d'air comprimé (souffler) ou d'un aspirateur (aspirer).

Commande d'apport d'air

Pour la combustion dans un poêle à accumulation de chaleur la commande d'apport d'air est normalement laissée ouverte au maximum. Cela garantit une combustion optimale et minimise les dépôts de carbone dans le système de conduit d'air chaud. En outre, il est plus facile de conserver la vitre propre avec une combustion intensive. De plus, il facilite le maintien de la vitre propre pendant une combustion intensive.

Toutefois, si l'on souhaite une période de combustion plus longue et des flammes plus douces, la commande permet d'ajuster le débit d'air et de le réduire.

Nettoyage du système de conduit d'air chaud

Lorsque le foyer est utilisé chaque jour pendant toute la saison de chauffage, nous recommandons que le système de conduit d'air chaud soit ramoné une fois par an. C'est pour maintenir le tirage et l'efficacité. La suie bouche les conduits et donc réduit l'efficacité. Cela entraînerait un tirage réduit et rendrait difficile le contrôle des flammes avec la commande d'apport d'air. Rappelez-vous que la cheminée doit toujours être froide avant qu'elle ne soit ramonée / inspectée.

L'inspection doit être effectuée par des professionnels de l'entretien agréés.

Cendre et Cendrier

Le cendrier se compose d'une partie interne qui est utilisé pour la vidange régulière des cendres. Le système de conduits peut être atteint lorsque la partie extérieure du cendrier est également enlevée.

Instructions d'entretiens : Retirez délicatement le déflecteur Thermotte (**LA-SAL06-040**). Retirez ensuite avec précaution la deuxième plaque de déflecteur avec le catalyseur (**LA-SAL06-070**) en la soulevant et en la pivotant jusqu'à ce que les supports de déflecteur et les encoches de sortie de la chicane correspondent, puis abaisser la plaque de déflecteur en prenant soin de ne pas laisser tomber le catalyseur. Balayer les trois canaux en spirale à l'aide d'une brosse ou d'un écouvillon d'un diamètre d'environ 100 mm et retirer les suies qui tombent de la chambre de combustion. l'accès pour le nettoyage en connexion laterale ou Arriere se trouve sous le couvercle haut.

Les cendres doivent être vidées régulièrement. Veuillez noter que les cendres peuvent contenir des braises chaudes, même plusieurs jours après que le feu ai cessé. Il faut donc utiliser un récipient non inflammable pour enlever les cendres.

Poids

Le propriétaire doit s'assurer que le sol peut supporter la charge du poids total du produit.

Mur Pare-feu

Les poêles peuvent être installés sans un mur pare-feu sur un matériel ininflammable. Respecter toutes les distances de sécurité par rapport aux matériaux combustibles (minimum 15cm) pour l'appareil lui-même. Se référer aux caractéristiques de distance de sécurité selon le matériel.

Raccordement à la cheminée

Suivre les spécifications du fabricant de la cheminée pour le raccordement à la cheminée. Monter à sec la cheminée pour ajuster précisément la hauteur précise ainsi que le positionnement du raccord de conduit de fumée/cheminée.

Le produit n'est pas compatible avec une cheminée en béton raccordé par le haut.

Poids maximum d'une cheminée en acier (raccordement en haut) à respecter: 300 kg.

Pour le raccordement en haut à une cheminée en acier, suivez les recommandations du fabricant.

Exigences pour les plaques de sol en cas de sol combustible

Une plaque de sol ignifugée doit être mise devant la cheminée si le sol est d'une matière inflammable. Suivre les exigences pour les plaques de sol (pierre, acier, etc.) qui s'appliquent dans le pays où le produit est installé.

Colle

Les éléments extérieurs doivent être collés avec une colle acrylique qui est incluse. Assurez-vous que toutes les surfaces qui doivent être collées et qu'elles sont exemptes de poussière. Les surfaces peuvent être nettoyées pour une meilleure adhérence.

Assurez-vous que les surfaces soient sèches avant d'étendre l'acrylique. Une fois que le poêle est assemblé, remplir les joints avec de l'acrylique et égalisez avec une éponge ou un doigt et un peu d'eau savonneuse, afin d'avoir une indentation claire entre les éléments (figure Z).

Petits Eclats

Transport et manutention peuvent causer des petits éclats au produit. Cela peut être réparé avec la colle en poudre qui est incluse. Pour un résultat parfait, vous pouvez remplir et broyer avec une charge adaptée de colle en poudre sur le dessus. Et combler fissures et irrégularités avec une spatule. Si l'éclat est profond, il est recommandé de remplir en plusieurs étapes en laissant sécher à chaque remplissage jusqu'à disparition complète de l'anfractuosités. Poncer afin de retrouver un aspect lisse.

Peinture

La surface de l'habillage du poêle a été conçue pour être peinte sans travail de préparation. Utilisez une peinture à base de latex ou d'acrylique (peinture d'émulsion), ou une peinture à base de ciment texturée. Dans le cas peu probable où il existe des irrégularités sur la surface, celles-ci peuvent être remplies avec de l'acrylique qui est inclus ou avec un matériau léger et approprié de remplissage. Toute surface qui a été remplie doit être lissée avec du papier de verre fin.

Polissage

Si une surface plus traditionnelle et polie est souhaitée, il est recommandé d'humidifier la surface puis d'enduire l'habillage de colle à carrelage (poudre colle) et un maillage en fibre de verre, avant d'ajouter un enduit compatible.

Faïences

Ce foyer peut également être couvert partiellement ou complètement de carreaux/pierre naturelle selon votre choix. Tout comme dans la section précédente, nous recommandons que l'habillage de la cheminée soit humidifié avant d'être recouvert de colle à carrelage (colle en poudre) et d'un maillage en fibre de verre. Il s'agit d'assurer une bonne adhérence et d'éviter la formation de fissures au niveau des joints de l'habillage.

Noter que la colle et le mortier doivent être sec avant qu'un feu soit allumé. Suivre les instructions auprès des producteurs de mortier / colle.

Indépendamment du traitement de surface, il est préférable de protéger le cadre de la porte pour éviter d'avoir à le nettoyer plus tard.

Noter que la lame d'air entre l'habillage et le cadre de la porte ne doit pas être rempli avec de la colle, le mortier ou similaire.

Thermotte™

Les plaques d'isolation (Thermotte) sont considérées comme des pièces d'usure qui doivent être remplacées au bout de quelques années.

La date de remplacement dépend de l'utilisation qui est faite du produit. Nordpeis garantit ces pièces un an. Une fois la garantie passée, vous pouvez acheter des pièces de rechange.

Noter: des bûches de bois trop longues peuvent provoquer une pression supplémentaire et casser les plaques, en raison de la tension créée entre les plaques latérales.

Fissures dans le PowerStone

À cause des effets thermiques il peut y avoir de petites fissures dans la PowerStone. Ce qui est naturel et n'affecte pas la fonction du produit ou la sécurité.

2. Garantie

Pour une description détaillée des conditions de garantie voir la carte de garantie ci-joint ou notre site web www.nordpeis.com/fr

Avertissement !
Utilisez uniquement des pièces de rechange recommandées par le fabricant.

Avertissement !
Toute modification non autorisée de l'appareil sans l'accord écrit du constructeur est interdite.

Recyclage du verre réfractaire

Le verre réfractaire ne peut pas être recyclé. Le vieux verre réfractaire, cassé ou autrement inutilisable, doit être jeté comme un déchet résiduel. Le verre réfractaire a une température de fusion plus haute et ne peut pas donc être recyclé avec le verre ordinaire. Dans le cas où il serait mélangé avec du verre ordinaire, il endommagerait la matière première et pourrait empêcher le recyclage de verre. C'est une contribution importante à l'environnement de s'assurer que le verre réfractaire n'est pas recyclé avec du verre ordinaire.

LE VERRE RÉFRACTAIRE NE PEUT PAS ÊTRE RECYCLÉ

Le verre Réfractaire devrait être traité comme des déchets résiduels, avec la poterie et la porcelaine



Recyclage de l'emballage

L'emballage accompagnant le produit doit être recyclé conformément aux réglementations nationales.

Porte et verre

Dans le cas où il y a de la suie sur la vitre, il peut être nécessaire de la nettoyer. Utiliser un nettoyant spécifique pour vitres, puisque d'autres détergents peuvent endommager le verre. (Attention ! Soyez prudent, même un nettoyant dédié aux vitres peut endommager le vernis sur le cadre de la porte). Un bon conseil pour le nettoyage du verre est d'utiliser un chiffon humide ou un essuie-tout sur lequel on a appliqué de la cendre de la chambre de combustion. Frotter la cendre sur le verre et finir avec un morceau d'essuie-tout propre et humide. Attention! nettoyer uniquement lorsque le verre est froid.

Périodiquement, il peut être nécessaire de changer les joints sur la porte pour s'assurer que la chambre de combustion est étanche et fonctionne de manière optimale. Ces joints peuvent être achetés chez votre revendeur.

3. Conseils pour allumer un feu

Allure de combustion

Un produit d'accumulation de chaleur ne doit pas être utilisé trop agressivement car cela peut endommager le produit. Afin de maximiser les bénéfices d'un produit d'accumulation de chaleur, il est donc important d'optimiser le rythme de combustion et la taille des charges. Lire les taux de combustion et de tailles de charge qui s'appliquent à votre produit.

La meilleure façon d'allumer un feu est d'utiliser des briquettes foudre et du bois d'allumage sec. Les journaux causent beaucoup de cendres et l'encre est dommageable pour l'environnement. Dépliants publicitaires, magazines, cartons de lait et similaires ne sont pas appropriés pour allumer un feu. Une bonne alimentation en air est importante pour l'allumage. Lorsque le conduit de fumée est chaud le tirage augmente et la porte peut alors être fermée.

Avertissement : Afin d'éviter tout risque de blessures, attention aux surfaces qui peuvent devenir chaudes en cours de fonctionnement de l'appareil. Des précautions supplémentaires doivent être prises pour éviter les brûlures.

Avertissement: n'utilisez JAMAIS un carburant d'éclairage comme l'essence, la paraffine, l'alcool à brûler ou similaires pour allumer un feu. Cela pourrait vous causer des blessures ainsi qu'endommager le produit.

Utilisez du bois propre et sec avec une teneur maximale en humidité de 20% maximum et 16% minimum. Un bois humide nécessite beaucoup d'air pour la combustion, ainsi qu'une énergie/chaleur supplémentaire pour sécher le bois, la chaleur dégagée est donc minime. En plus cela crée de la suie dans la cheminée avec le risque de créosote et feu dans la cheminée.

En cas de feu de cheminée, fermer les portes et les registres d'air sur le poêle et appeler les pompiers. Après un feu de cheminée, celle-ci doit dans tous les cas être inspectée par un ramoneur agréé avant d'utiliser l'appareil à nouveau.

Entreposage du bois

Afin de s'assurer que le bois est sec, l'arbre doit être coupé en hiver et ensuite entreposé pendant l'été, sous un toit et dans un endroit avec une ventilation adéquate. La pile de bois ne doit jamais être recouverte d'une bâche qui va jusqu'au sol, la bâche agira alors comme un couvercle hermétique qui empêchera le bois de sécher. Toujours garder une petite quantité de bois à l'intérieur, quelques jours avant l'utilisation afin que l'humidité de la surface du bois puisse s'évaporer.

Conseils généraux pour le feu

Pas assez d'air pour la combustion peut causer l'encrassement de la vitre par la suie. Par conséquent, fournir de l'air au feu dès l'allumage pour que les flammes et les gaz dans la chambre de combustion soient correctement brûlés. Ouvrez la commande d'apport d'air et tenez la porte légèrement entrouverte pour que les flammes puissent recouvrir correctement le bois. Trop d'air à la combustion peut créer une flamme incontrôlable qui très rapidement chauffera le poêle entier à d'extrêmement hautes températures (avec la porte fermée ou presque fermée). Pour cette raison ne remplissez jamais totalement la chambre de combustion de bois.

Avertissement :
Le foyer doit toujours être fermé, sauf lors de l'allumage, le remplissage de bois et de l'élimination des cendres

Choix de combustible

Tous les types de bois, comme le bouleau, le hêtre, le chêne, l'orme, le frêne et les arbres fruitiers, peuvent être utilisés comme combustible dans le poêle. Les essences de bois ont des degrés différents de dureté - plus le bois est dur, plus il contient de l'énergie. Hêtre, chêne et le bouleau ont le plus haut degré de dureté.

Nous attirons votre attention sur l'usage de briquettes de bois reconstitué. Celles-ci dégagent généralement une puissance calorique supérieure au bois bûche, qui peuvent endommager les éléments du foyer voire le foyer lui-même. Se conformer strictement aux prescriptions du fabricant de briquettes, une surchauffe constatée avec ce type de produit entraîne la suppression de la garantie.

Avertissement : N'employez JAMAIS de bois imprégnés, bois peint, contre-plaqué, carton, déchets, cartons de lait, et des documents imprimés ou similaires. Si n'importe lequel de ces articles est utilisé comme carburant la garantie est invalide.

Ces matériaux peuvent former lors de la combustion de l'acide chlorhydrique et des métaux lourds qui sont nocifs pour l'environnement, le poêle et vous . L'acide chlorhydrique peut également attaquer l'acier dans la cheminée ou les matériaux dans une cheminée en maçonnerie.

éviter également d'allumer avec de l'écorce, de la sciure de bois ou d'autres éléments extrêmement fins,. Cette forme de carburant peut facilement provoquer un embrasement qui peuvent conduire à des températures trop élevées.

Attention: Assurez-vous que le poêle n'est pas surchauffé - les dégâts dûs à une surchauffe ne sont pas imputables à l'appareil et ne sont pas couverts par la garantie.

Source: "Håndbok, effektiv og miljøvennlig vedfyring" de Edvard Karlsvik SINTEF Energy Research AS et Heikki Oravainen, VTT.

Pour votre sécurité, observez les instructions de montage. Toutes les distances de sécurité sont des distances minimales. L'installation du poêle doit observer les règles et les règlements du pays où installé. Nordpeis AS n'est pas responsable du montage défectueux d'un poêle. Sous réserve d'erreurs et de modifications. Pour la dernière version mise à jour aller à www.nordpeis.com/fr

4. Informations Techniques Salzburg R / Salzburg R Extension Base / Salzburg R+1

Distance minimale aux matériaux combustibles	Derrière	30 mm (*) 200 mm 200 mm
(*) avec écran thermique	(+1) Latérale	450 mm (*) 450 mm 450 mm(+1)
CO % (13% O ₂)	<1500 mg/m ³	
Température moyenne de fumée	195 °C (Bas) 129 °C (+1)	
Stockage thermique	36,85 kWh (Bas) 39,10 kWh (+1)	
Capacité de stockage thermique	100% après 4,0 h 50% après 11,2 h 25% après 17,9 h	
+1	100% after 3,6 h 50% after 10,8 h 25% after 17,1 h	
Rendement	84 % 91 %	
Puissance thermique nominale durant la période de décharge (100%-25%)	2,1 kW (Bas) 2,3 kW (+1)	
Tirage de cheminée	12 Pa	
Longueur de bûches de bois	350 mm	
Poids	675 kg 705 kg (haute base) 890 kg (+1)	
Taille de la charge	2 kg	
Nombre maximum de Charges	5	
Intervalle des charges	45 min	
Nombre des cycles de combustion par 24 heures	1	

5. Avant d'assembler le poêle

Vous êtes un client totalement responsable de l'exécution de ces règles locales concernant l'installation dans votre région / pays. Nordpeis n'est pas responsable quant à l'installation.

Vous devez vérifier la conformité des règlements locaux concernant:

- la distance du poêle aux matériaux inflammables des matériaux / exigences d'isolation entre le poêle et le mur d'adossement
- les dimensions des plaques de sol devant le poêle si exigé
- la connexion avec le conduit de fumée et la sortie des fumées entre le poêle et la cheminée
- des exigences d'isolation si le conduit de fumée traverse un mur inflammable.

Le tirage de cheminée

Comparés avec d'anciens modèles, les poêles à combustion propre d'aujourd'hui ont plus d'exigence sur le conduit d'évacuation des fumées. Même le meilleur poêle ne fonctionnera pas correctement si le conduit n'a pas les dimensions justes ou n'est pas en bon état de fonctionnement. Le tirage est principalement contrôlé par la température des gaz, température extérieure, l'apport d'air, la hauteur et la section intérieure du conduit. Le diamètre ne doit jamais être inférieur à celui de la sortie du poêle. À la valeur nominale, le tirage devrait avoir une pression de 14 à 25 Pascals.

Le tirage augmente quand:

- La cheminée devient plus chaude que l'air extérieur
- La longueur active de la cheminée augmente (au-dessus du poêle)
- Il y a un bon apport d'air à la combustion

Il peut être difficile d'obtenir les conditions justes de tirage dans le cas où la cheminée serait trop haute ou large, car le poêle ne chauffera pas assez bien. N'hésitez pas à contacter un professionnel afin de réaliser un contrôle du tirage de votre conduit. Grâce à un outillage adapté, il pourra réaliser une mesure précise.

Attention! Il est recommandé d'utiliser un professionnel qualifié lors de l'installation d'un nouveau foyer.

L'apport d'air (=mm AIR)

Un ensemble de dispositifs destinés à assurer le renouvellement de l'air est disponible en accessoire et assurera que des systèmes de ventilation, les ventilateurs de la cuisine et d'autres facteurs qui peuvent créer une dépression dans la pièce du poêle, affectent moins de l'apport d'air de combustion pour le foyer. L'apport d'air insuffisant peut causer une sous-pression et entraver le bon fonctionnement du foyer ainsi que l'efficacité de la combustion et être la base des problèmes tels que: Le foyer et la vitre s'encrassent, le bois ne prend pas feu ou s'allumemal.

**Avertissement !
Ne pas obstruer les prises d'air comburant**

Avertissement ! Des hottes aspirantes, fonctionnant dans la même pièce ou le même espace que l'appareil peuvent engendrer des problèmes.

Illustration des distances (FIG 1 - 1B)

* L'illustration montre la distance approximative entre le sol et le centre du trou pour le raccord avec le conduit de fumée. Considérez une possible inclinaison de la sortie de fumée avant de faire perforer la cheminée. Les distorsions dans le sol et les murs peuvent également influencer sur la hauteur, monter donc à sec le poêle pour trouver la hauteur exacte et le positionnement de la connexion sortie de fumées / cheminée. Si un kit pour l'apport d'air frais (accessoire) est raccordé par le sol, marquer l'endroit où le trou devrait être.

Attention! Comme le noyau interne du poêle est composé de plusieurs couches la hauteur de connexion peut varier jusqu'à quelques centimètres lors de l'installation.

Distances de sécurité (FIG 2 - 2B)

Prenez soin de respecter les distances de sécurité indiquées. S'il vous plaît, notez que ces distances de sécurité peuvent varier d'un pays à l'autre.

Attention! Procédure de séchage

Le poêle contient beaucoup d'humidité qui doit être libéré avant qu'il puisse être exposé au rythme de combustion recommandé comme décrit ci-dessous.

Afin de sécher le poêle, suivez la procédure ci-dessous:

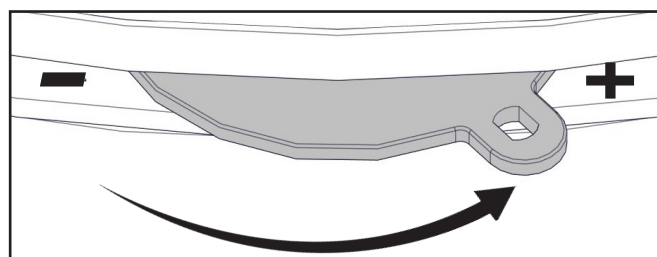
1. Assurez vous que la commande de l'entrée d'air, située juste en dessous de la porte, soit complètement ouverte.
2. Assurez vous que le volet d'air soit complètement ouvert (FIG *).
3. Faire un petit feu avec 0,5-1 kg de bois d'allumage.

Attention! Laisser la commande d'air et le volet d'air ouvert jusqu'à ce que le feu soit fini.

Cette procédure est à répéter encore deux fois, au plus tôt à 24 heures d'intervalles.

Si cette procédure de séchage n'est pas suivie il y a un risque de fissure dans les éléments.

La commande d'air est tournée vers la gauche pour augmenter l'alimentation d'air du modèle Salzburg R.



Rythme de combustion

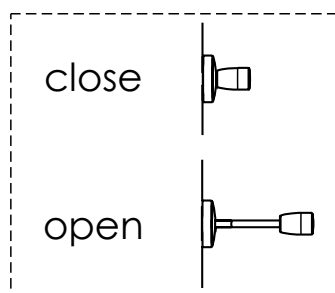
Un poêle à accumulation de chaleur est conçu pour absorber l'énergie thermique pendant une période relativement courte de combustion intensive, puis relâcher la chaleur accumulée pendant une longue période de temps.

Attention! Un chauffage au delà du schéma recommandé (voir le tableau des informations techniques) se traduira par une température de surface plus élevée, ce qui peut provoquer une décoloration de la peinture, ainsi que des températures plus élevées contre les murs inflammables que ce qui était prévu. Suivez les valeurs dans le tableau pour trouver la taille correcte de la charge et de quel intervalle de chargement est bon pour votre produit.

Lorsque la dernière charge est entrée dans la phase de braise et qu'il ne reste que quelques braises, le registre d'air est fermé pour éviter que la chaleur ne s'échappe par la cheminée.

N'oubliez pas d'ouvrir le registre d'air avant d'utiliser le poêle à nouveau.

FIG *



Le mode d'allumage devrait seulement être ouvert si nécessaire pendant de brèves périodes (10-15 minutes) au moment où le feu est allumé, et lors du chargement du bois, de manière à éviter que la fumée ou les cendres ne s'échappent dans la pièce. Une combustion persistante avec le volet d'air ouvert peut entraîner un dépassement de la température maximale autorisée de la cheminée.

6. Assemblage

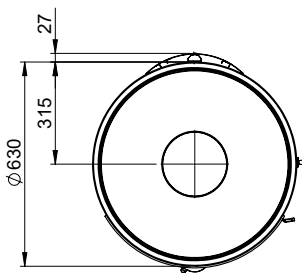
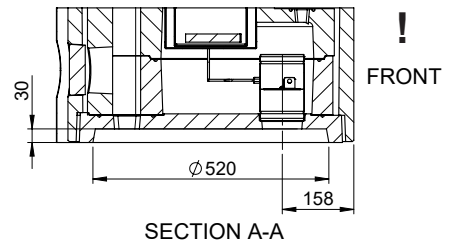
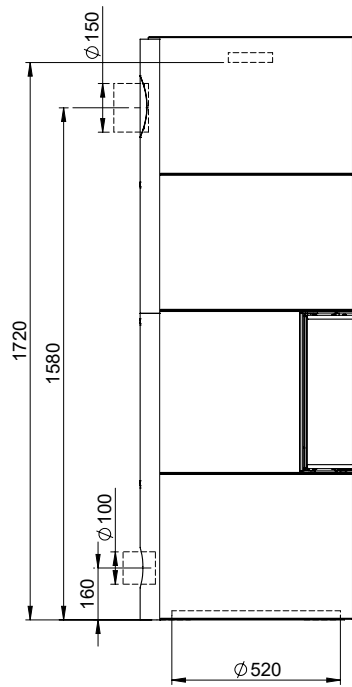
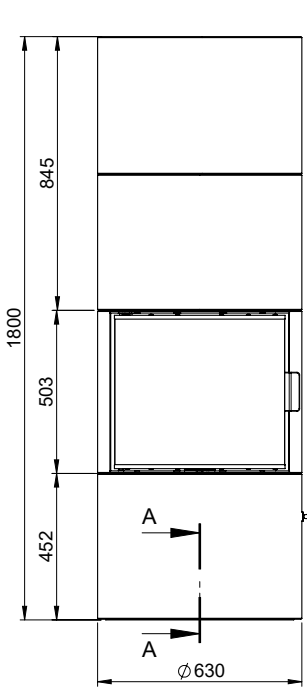
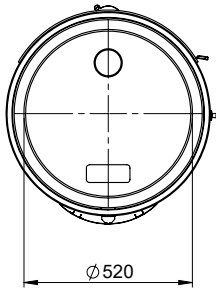
Attention! Il est recommandé d'utiliser un professionnel qualifié lors de l'installation d'un nouveau poêle.

Problème	Explication	Solution
Pas de tirage	La cheminée est obstruée.	Contacter un cheminée ramoneur pour plus d'informations ou nettoyer la cheminée, le déflecteur et chambre de combustion.
	La sortie des fumées est remplie de suie ou de la suie s'accumule sur le déflecteur.	
	Le déflecteur est mal placé.	Vérifiez l'ensemble du déflecteur - voir les instructions d'assemblage.
Du Poêle émane des fumées lors de l'allumage et pendant la combustion	Courant d'air descendant dans la chambre provoquée par un trop faible tirage, la maison est trop «hermétique».	Vérifier en allumant le feu avec une fenêtre ouverte. Si cela rétablit un tirage normal plus de dispositifs d'arrivée d'air doivent être installés dans la pièce.
	Courant d'air descendant dans la chambre causée par l'extracteur et/ou le système de ventilation central qui tire trop d'air hors de la pièce.	Arrêtez/réglez l'extracteur et/ou tout autre ventilation. Si cela rétablit un tirage normal, plus de dispositifs d'arrivée d'air doivent être installés dans la pièce.
	Les conduits de fumée de deux cheminées / foyers sont connectés à la même sortie de toit, à la même hauteur.	Un conduit doit être repositionné. La différence de hauteur des deux conduits de fumée à la sortie doit être d'au moins 30 cm.
	Le conduit de raccordement à une inclinaison incorrecte entre la sortie du foyer et le conduit d'évacuation des fumées.	Le conduit de fumée doit être déplacé afin qu'il y ait une inclinaison d'au moins 10 ° pour le tuyau reliant la sortie du foyer au conduit d'évacuation des fumées. Éventuellement, installer un dispositif d'aspiration de fumée*.
	Le conduit de fumée est trop bas.	Le conduit de fumée doit être remonté de sorte qu'elle doit finir 5 millimètres avant la sortie. Installez un dispositif d'aspiration de fumée*.
	Le portillon à suie est ouvert et craie ainsi un faux tirage.	Les portillons à suie doivent toujours être fermés. Vérifier l'étanchéité du portillon et le changer si nécessaire.
	Un trou ouvert dans le conduit de fumée fausse le tirage.	Les trous et fuites doivent être rebouchés avec un produit non inflammable.
	Défaut de maçonnerie dans le conduit d'évacuation des fumées, par exemple ce n'est pas hermétique autour du conduit de fumée.	Rebouchez toutes les fissures.
	La section transversale dans la cheminée est trop grande et comme conséquence, il n'y a pas de tirage ou il est très faible.	La cheminée doit être réaménagée, peut-être installer un dispositif d'aspiration de fumée*.
	Le diamètre des tuyaux d'évacuation des fumées est trop petit et la cheminée ne peut extraire pas toutes les fumées.	Changer pour un foyer plus petit ou construire une nouvelle évacuation avec un plus grand diamètre. Éventuellement installer un dispositif d'aspiration de fumée*.
Le conduit d'évacuation des fumées est trop bas et, par conséquent, le tirage faible.	Augmenter la hauteur de la cheminée et/ou installez un dispositif d'aspiration de fumée* / un chapeau de cheminée.	
La cheminée libère des fumées à l'intérieur quand c'est venteux à l'extérieur.	La cheminée est trop basse par rapport au terrain environnant, les bâtiments, arbres etc	Augmenter la hauteur de la cheminée et/ou installez un dispositif d'aspiration de fumée* / un chapeau de cheminée.
	Turbulence autour de la cheminée en raison d'un toit trop plat.	Augmenter la hauteur de la cheminée et/ou installez un dispositif d'aspiration de fumée* / un chapeau de cheminée.
La cheminée ne chauffe pas bien.	La combustion dans le foyer reçoit trop d'oxygène en raison d'une fuite sous le bord inférieur du foyer ou le tirage est trop fort. Il est très difficile de régler la combustion et le bois brûle trop rapidement.	Les éventuelles fuites doivent être bouchées. NB! Une fuite de seulement 5 cm ² est suffisante pour laisser disparaître 30% de l'air chauffé.
Tirage trop fort	Le déflecteur est mal placé.	Contrôler le positionnement du déflecteur - voir les instructions d'assemblage.
	Le bois est très sec	Baisser l'apport d'air
	Les joints d'étanchéité autour de la porte sont usés et totalement plats.	Échangez les joints d'étanchéité, contacter votre concessionnaire.
	La cheminée est trop longue.	Contact un ramoneur / distributeur pour plus d'informations.
Le verre est noir de suie	Le bois est trop humide	Employez seulement un bois sec avec une humidité maximum de 20%.
	Le contrôle d'apport d'air est trop fermé.	Ouvrez la commande d'apport d'air pour ajouter de l'air à la combustion. Quand de nouvelles bûches en bois sont insérées toutes les commandes d'apport d'air devraient être complètement ouvertes ou la porte légèrement ouverte jusqu'à ce que les bûches prennent feu
Verre blanc	Mauvaise combustion (la température est trop basse)	Suivez les directives dans ce livret pour corriger le chauffage.
	L'utilisation de mauvais matériel pour la combustion (par exemple, bois peint ou imprégné, stratifié de plastique, contre-plaqué, etc.)	Assurez-vous d'utiliser seulement du bois sec et propre.
La fumée sort de la cheminée quand la porte est ouverte.	Un nivelage de pression se produit dans la chambre de combustion.	Ouvrez la commande d'apport d'air pendant environ 1 minute avant l'ouverture de la porte - éviter d'ouvrir la porte trop rapidement.
	La porte est ouverte quand il y a un feu dans la chambre de combustion.	Ouvrez seulement la porte quand il y a une braise chaude.
Fumée blanche	La température de combustion est trop basse.	Augmentez l'apport d'air.
	Le bois est humide ou contient de l'humidité.	Assurez-vous d'utiliser seulement du bois sec et propre.
Fumée noire ou grise/noire	Combustion insuffisante.	Augmentez l'apport d'air.

Fig 1

SALZBURG R = mm / air / chimney

FRONT !



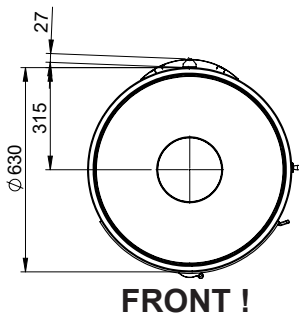
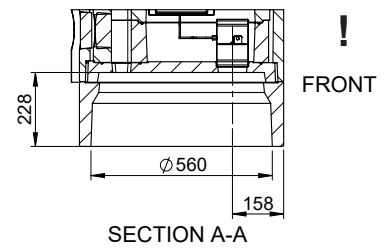
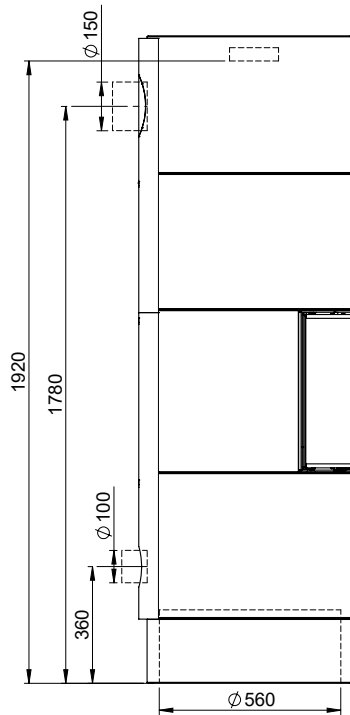
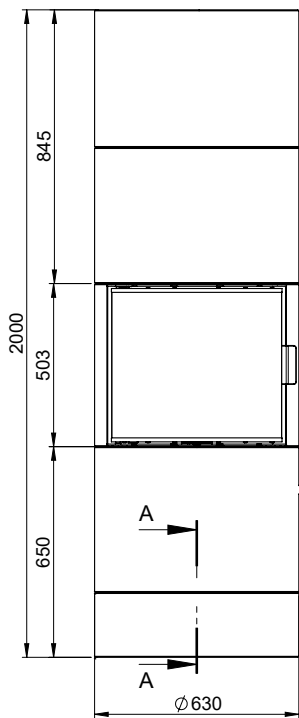
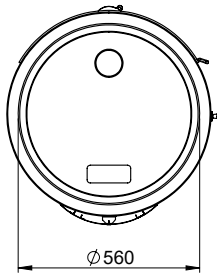
FRONT !

FRONT - VORDERSEITE

Fig 1 A

SALZBURG R EXTENSION BASE = mm / air / chimney

FRONT !



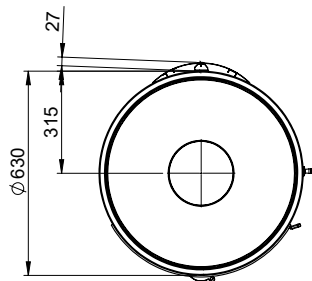
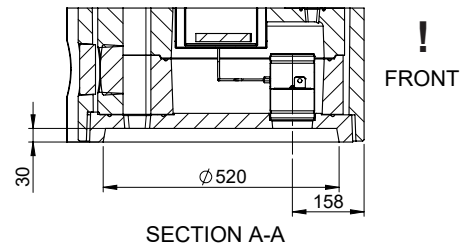
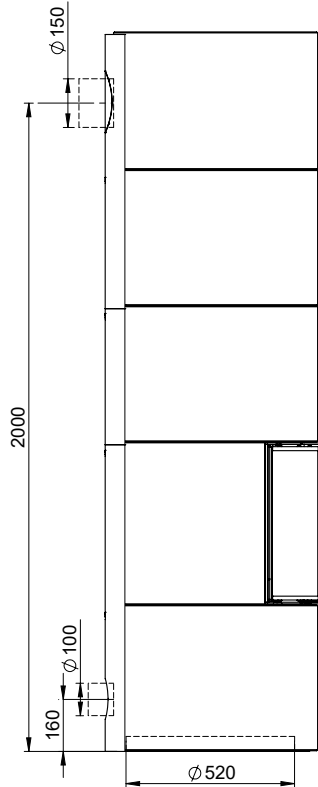
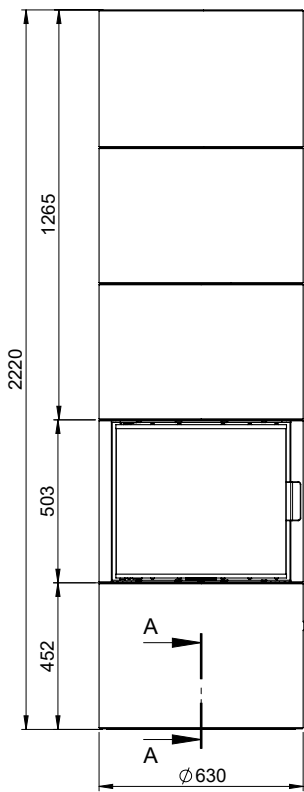
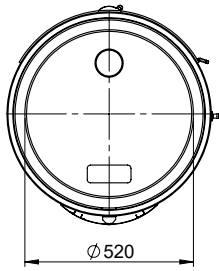
FRONT !

FRONT - VORDERSEITE

Fig 1 B

SALZBURG R + 1 = mm / air / chimney

FRONT !



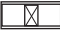
FRONT !

FRONT - VORDERSEITE

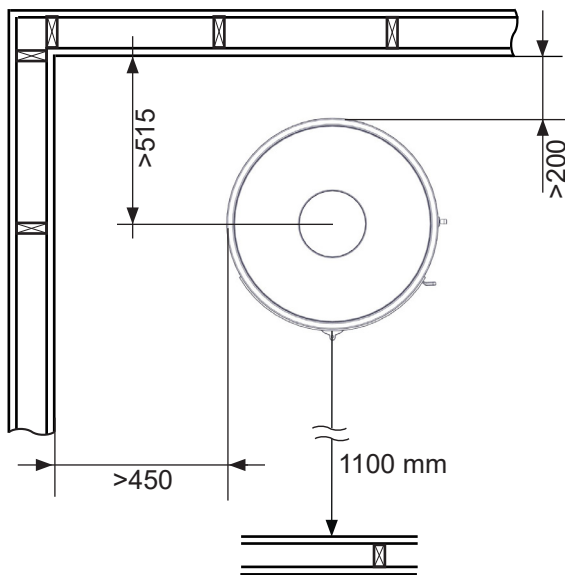
Fig 2

SALZBURG R / SALZBURG R + 1 / SALZBURG R EXTENSION BASE

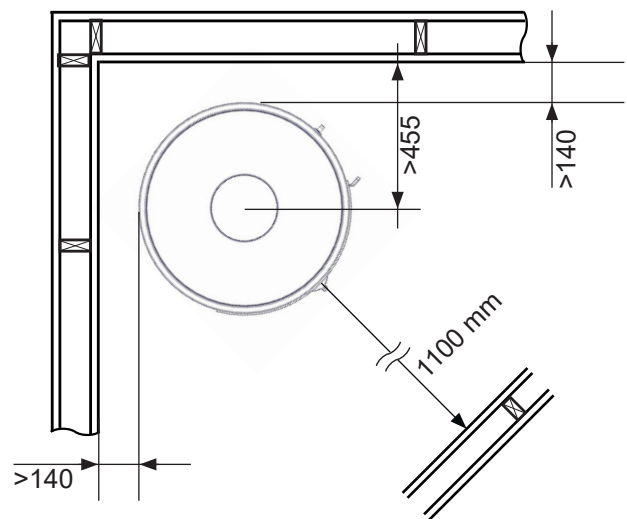
 = Brannmur/ Brandmur/ Firewall/ Palomuri/ Hitzenschutzwand/ Mur pare feu

 = Brennbart materiale/ Brännbart material/ Combustible material/ Palavasta materiaalista/ Brennbares Material/ Matière combustibles

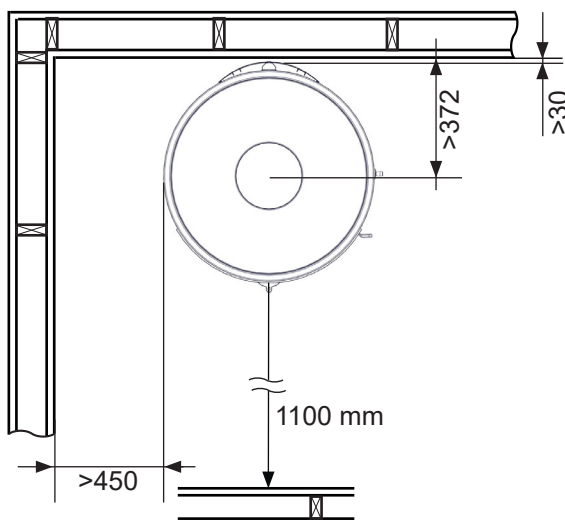
A.



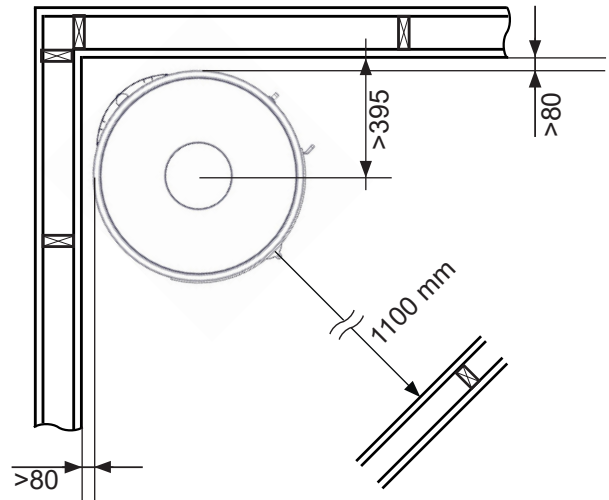
B.



C. (*)



D. (*)



**Salzburg R / Salzburg R+1
Salzburg R Extension Base**

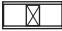
(*)

GB - with heat shield
FR - avec l'écran thermique
DE- mit Hitzeschild

Fig 2 a

SALZBURG R

 = Brannmur/ Brandmur/ Firewall/ Palomuri/ Hitzenschutzwand/ Mur pare feu

 = Brennbart materiale/ Brännbart material/ Combustible material/ Tulenarka materiaali/ Brennbares Material/ Matières combustibles

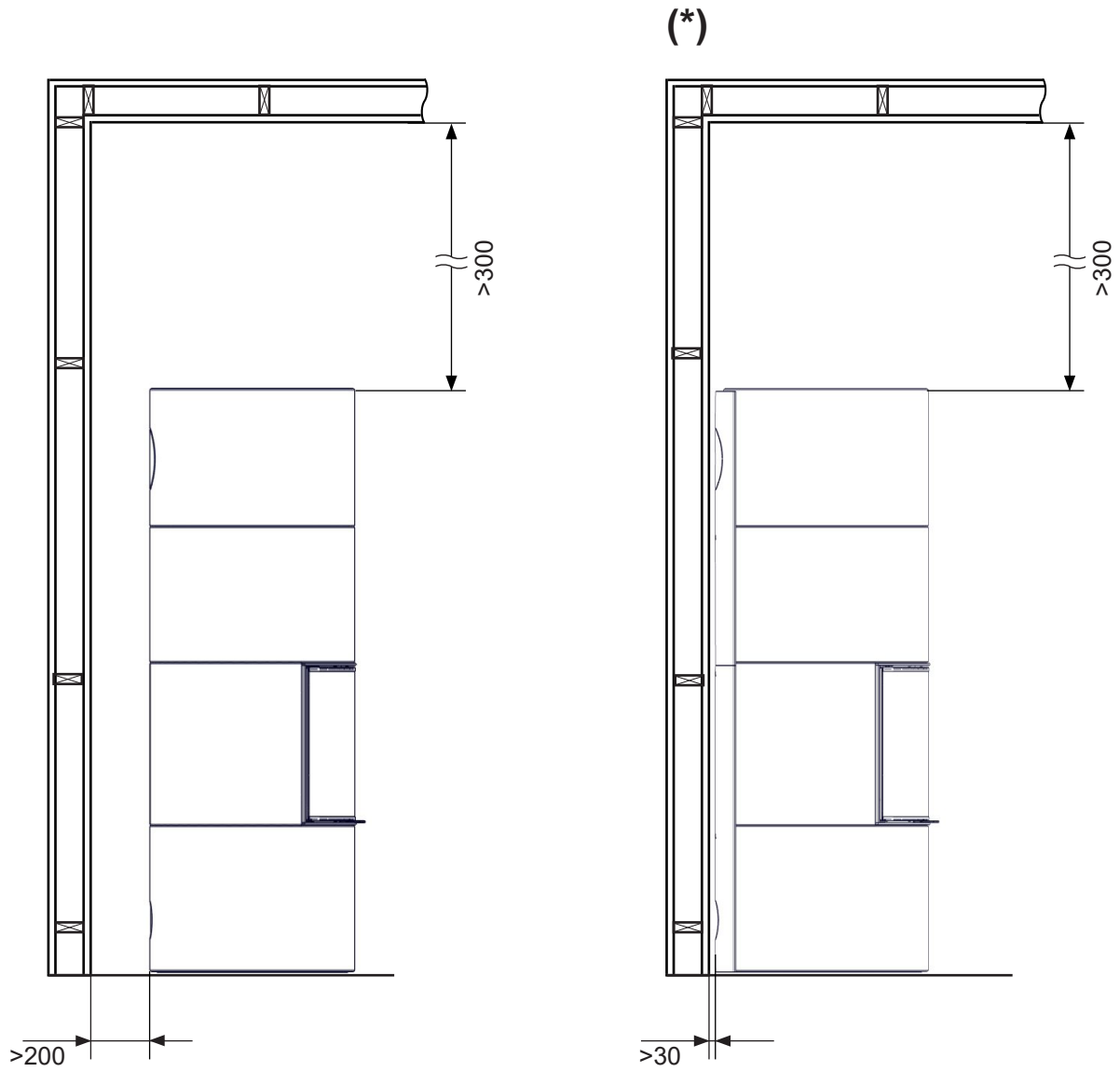
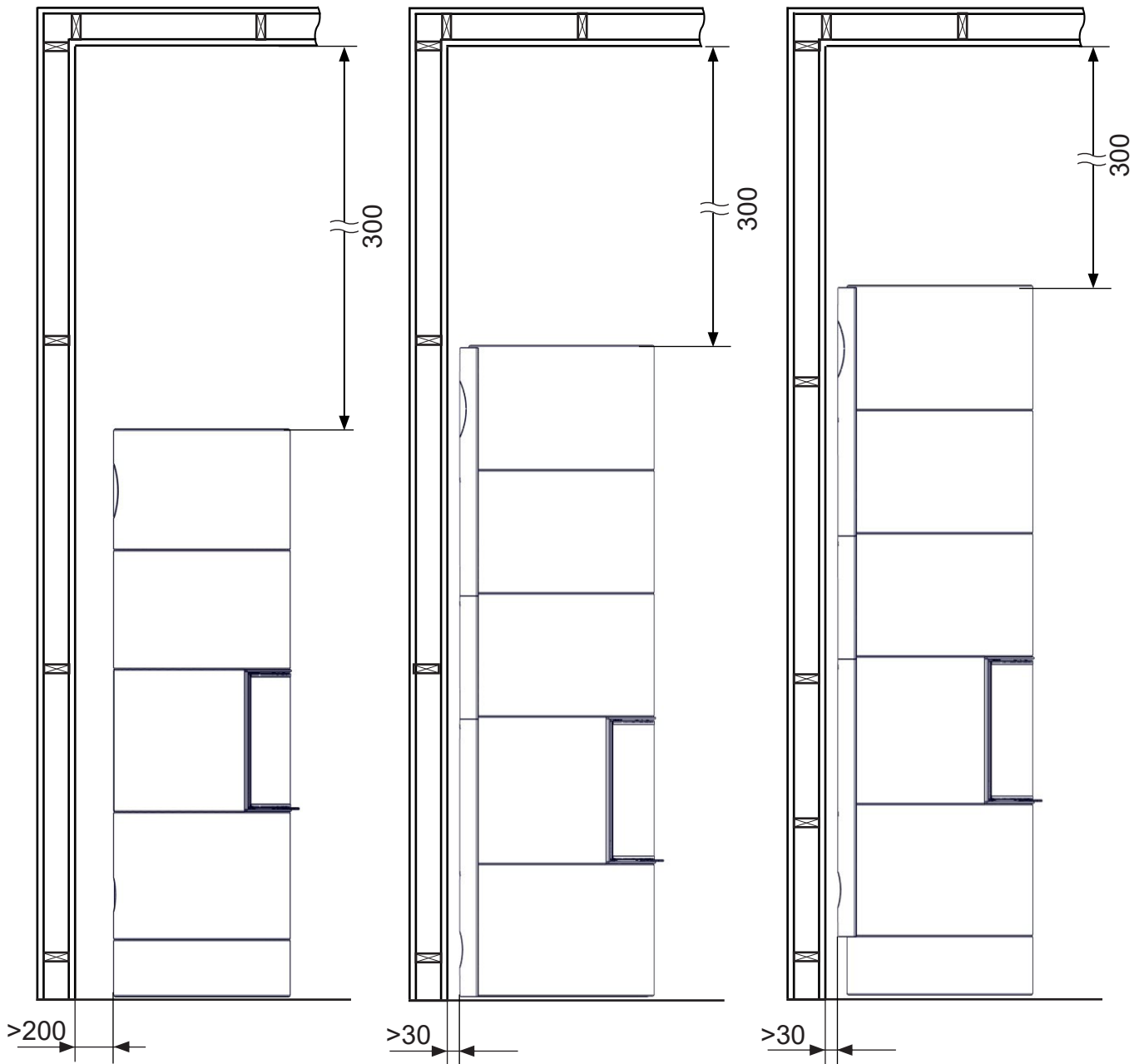


Fig 2 b

SALZBURG R + 1 / SALZBURG R EXTENSION BASE

 = Brannmur/ Brandmur/ Firewall/ Palomuuri/ Hitzenschutzwand/ Mur pare feu

 = Brennbar materiale/ Brännbart material/ Combustible material/ Tulenarka materiaali/ Brennbarem Material/ Matières combustibles



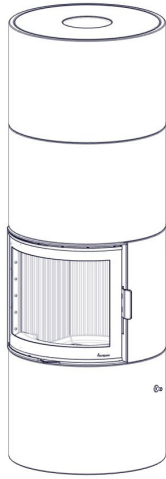


FIG 3,4 - 20b
FIG 22 - 44

FIG 3a - 20b
FIG 22 - 44

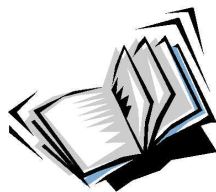
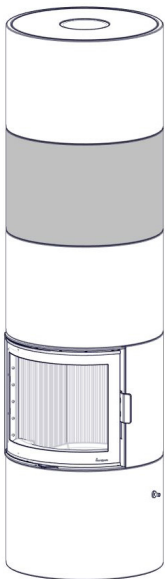
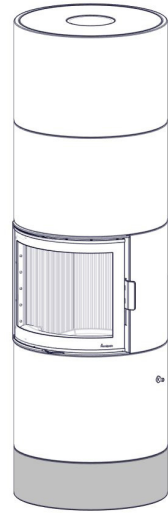
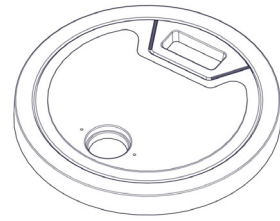
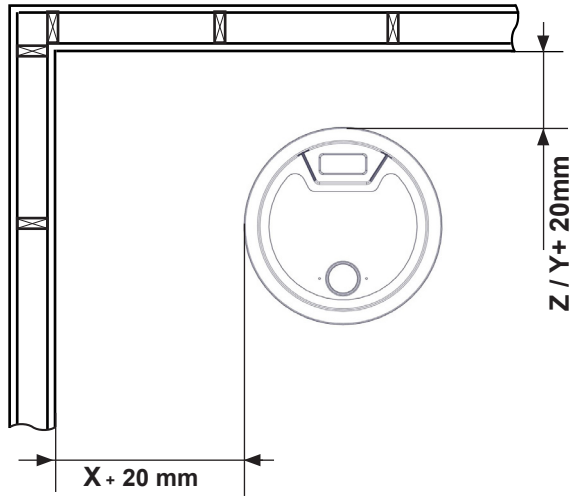


FIG 3, 4 - 44

FIG 3

SALZBURG R/ SALZBURG R + 1



(1) CO-SAL06-010

FIG 2 A, B, D:

X, Y = safety distance
 X, Y = distance de sécurité
 X, Y = sicherheitsabstand

FIG 2 C

X = safety distance, Z = 80 mm
 X = distance de sécurité, Z = 80 mm
 X = sicherheitsabstand, Z = 80 mm

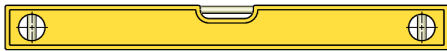
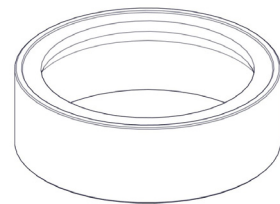
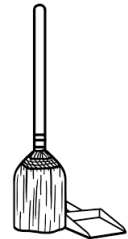
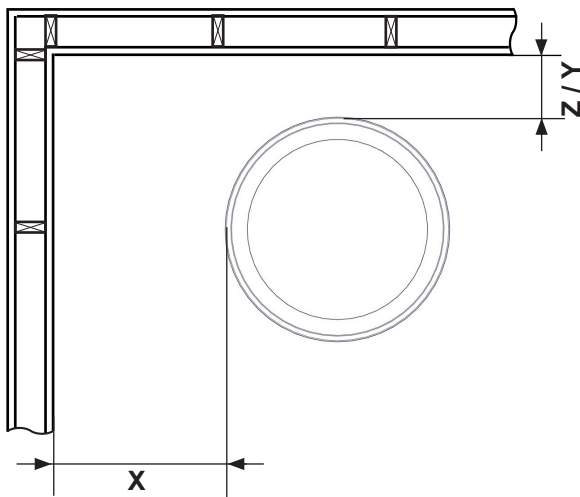


FIG 3 a

SALZBURG R EXTENSION BASE



(2) CO-SAL06-100

FIG 2 A, B, D:

X, Y = safety distance
 X, Y = distance de sécurité
 X, Y = sicherheitsabstand

FIG 2 C

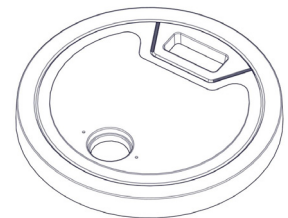
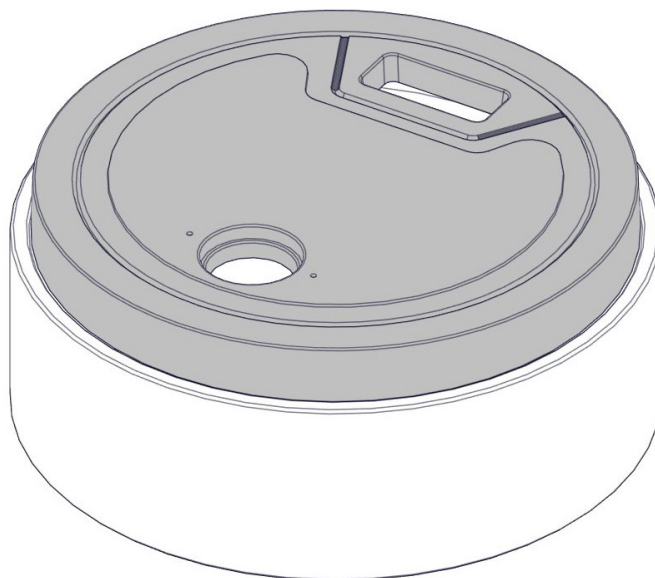
X = safety distance, Z = 55 mm
 X = distance de sécurité, Z = 55 mm
 X = sicherheitsabstand



GB	<p>The base plate (1) or the extension base plate (2) is placed on the floor. It is important that the entire intended contact surface is in actual contact with the floor. This can be ensured by spreading a layer of tile adhesive or thin mortar on the floor before the base plate is placed on the floor. This is to ensure that the heavy fireplace is not left sitting on any irregularities and to ensure an even weight distribution of the fireplace. It is also important to ensure that this plate is level in both directions before proceeding with the installation.</p> <p>Attention! The use of shims to level the base plate is not recommended as the differences in tension on the base plate can cause it to crack under the weight of the product.</p>
FR	<p>La plaque de base ventilée (1) ou la base haute (2) est placée par terre. Il est important que la surface de contact destinée soit en contact réel avec le sol. Cela peut être assuré par la diffusion d'une couche de colle à carrelage ou de mortier liquide sur le sol avant que la plaque de base ne soit placée contre le sol. Il s'agit de s'assurer que le poêle lourd ne reste pas posé sur des irrégularités et d'assurer ainsi une répartition uniforme du poids de la cheminée. Il est également important de s'assurer que cette plaque soit de niveau dans les deux directions avant de procéder à l'installation. Utiliser un niveau.</p> <p>Attention! L'utilisation de cales pour assurer que la plaque de base soit de niveau n'est pas recommandée car les différences de tension peuvent faire que la plaque craque sous le poids du produit.</p>
DE	<p>Legen Sie die belüftete Sockelplatte (1) oder (2) auf den Boden. Der komplette Bereich muß überall in Kontakt mit dem Boden. Um dies zu erzielen verteilen Sie eine Schicht Fliesenkleber oder dünnflüssigen Mörtel auf dem Boden, bevor Sie die Sockelplatte darauf legen. Dadurch sichern Sie ab, dass die schwergewichtige Feuerstelle auch auf eventuellen Unebenheiten stabil steht und eine korrekte Gewichtsverteilung gewährleistet ist. Beachten Sie auch das waagerechte Aufstellen dieses Elements, bevor Sie mit der Montage fortfahren.</p> <p>Merke: Verwenden Sie keine Unterlegscheiben um die Sockelplatte waagrecht aufzustellen. Unterschiedliche Spanungsverhältnisse in der Sockelplatte können diese unter dem Eigengewicht des Gerätes springen lassen.</p>

FIG 3 b

SALZBURG R EXTENSION BASE

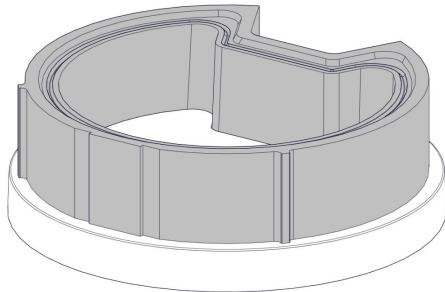


CO-SAL06-010

FIG 4

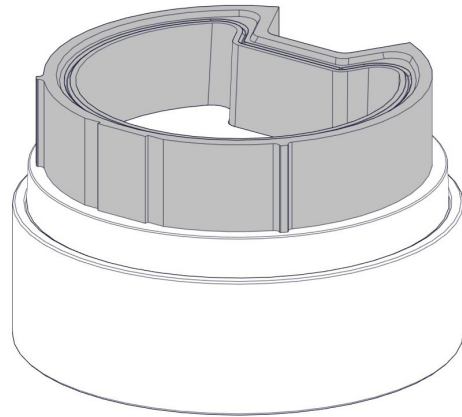
**SALZBURG R
SALZBURG R + 1**

PN-SAL06-010



SALZBURG R EXTENSION BASE

PN-SAL06-010



GB	IMPORTANT! The inner core of Powerstone™ must be centered from the first element. Attention! In case of the extension base appliance further assembling steps are the same as standard one.
FR	IMPORTANT! Le noyau interne de PowerStone™ doit être centré à partir du premier élément. Attention! En cas d'utilisation de la base haute, les étapes suivantes sont les mêmes que la version standard.
DE	ACHTUNG! Der innere Kern muß vom ersten Powerstone-Element an mittig positioniert sein. Achtung! Im Falle eines Geräts mit hohem Sockel gelten dieselben Montageschritte wie beim Standardgerät.

FIG 5

SALZBURG R / SALZBURG R + 1 / SALZBURG R EXTENSION BASE

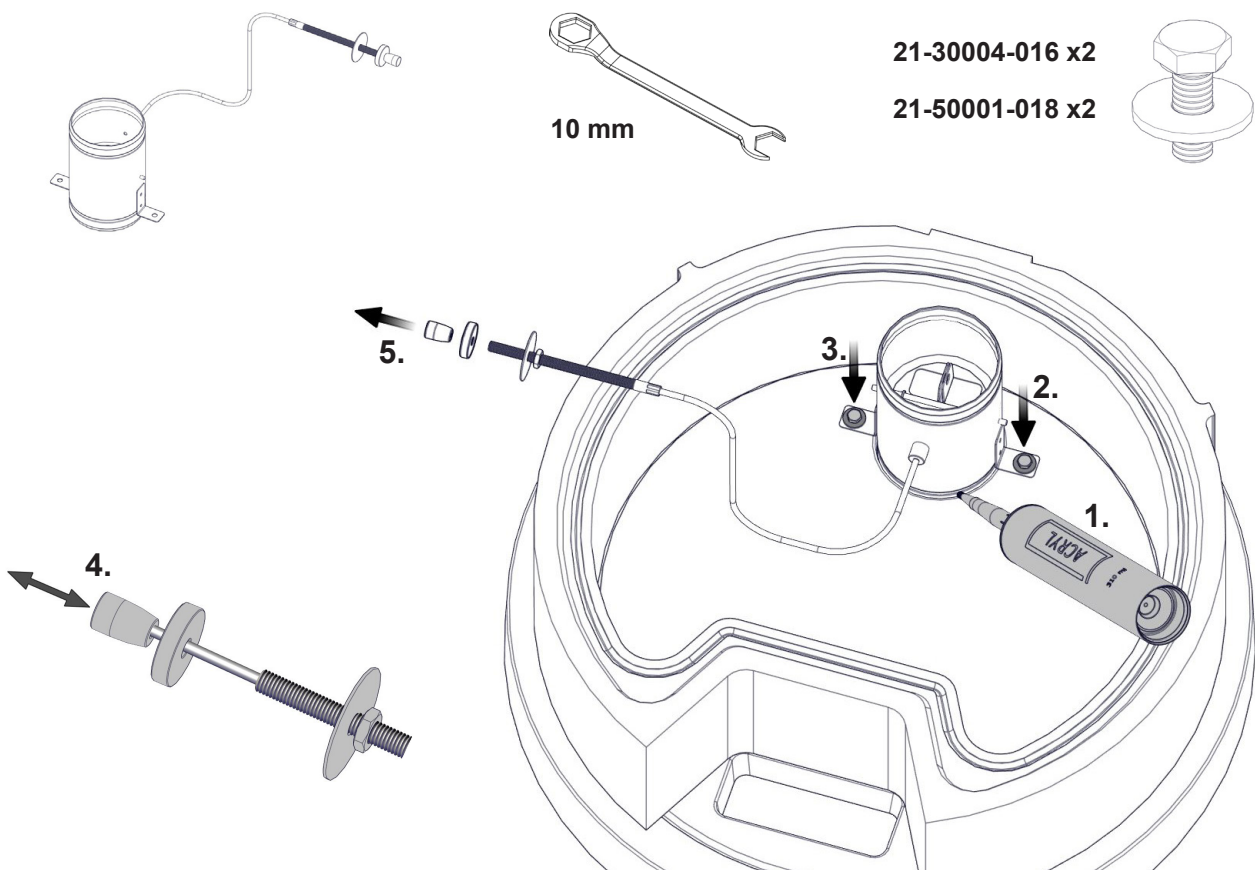
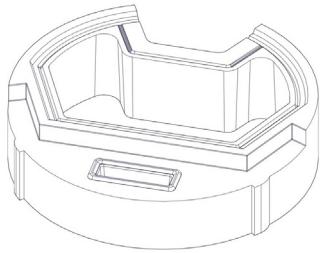
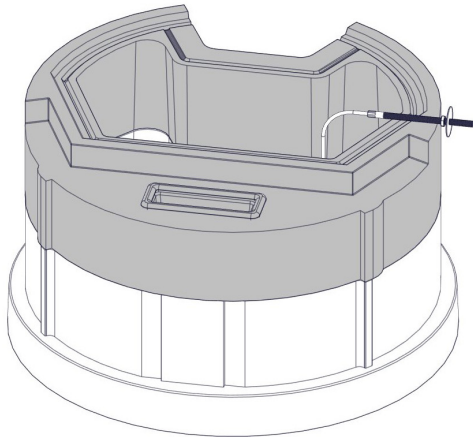


FIG 6

SALZBURG R / SALZBURG R + 1 / SALZBURG R EXTENSION BASE



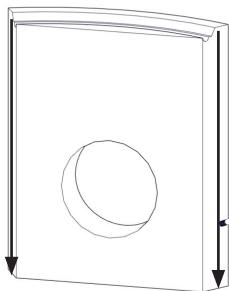
PO-SAL06-020



GB	The inner core elements are equipped with gaskets on the contact surface that should face upwards. There is therefore no need for further adhesives or sealing between each element. Ensure that the surfaces are clean and even, and that there are no pieces of concrete and similar that may compromise the density between the elements.
FR	Les éléments du noyau interne sont équipés de joints sur la surface de contact qui doit être orientés vers le haut. Il n'y a donc pas besoin d'adhésifs ou encore de scellage entre chaque élément. S'assurer que les surfaces sont propres et de niveau, et qu'il n'y a pas de morceaux de béton et assimilés qui peuvent compromettre la densité entre les éléments.
DE	Montieren Sie die Powerstone Elemente im inneren Teil der Verkleidung. Dieser innere Kern aus Powerstone Elementen ist mit Dichtungen ausgerüstet, die an der Auflagefläche nach oben zeigen. Daher braucht zwischen den Powerstone Elementen nicht verklebt oder abgedichtet zu werden. Die Flächen müssen glatt und rein von Betonbröseln sein, um den Zusammenschluss nicht zu beeinträchtigen.

FIG 7

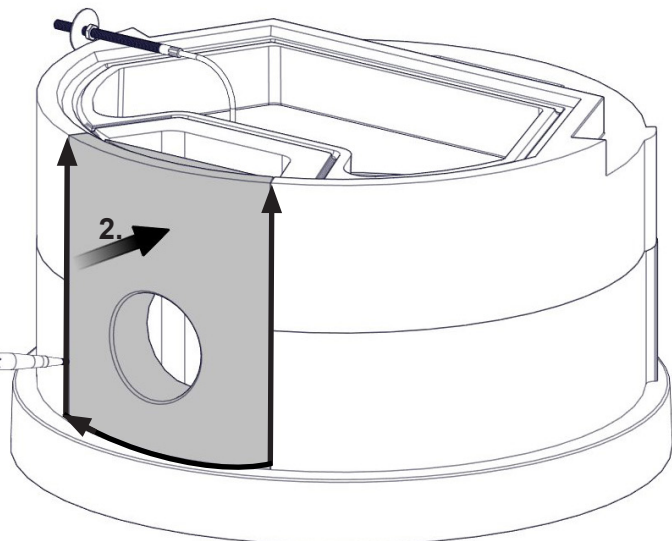
SALZBURG R / SALZBURG R + 1 / SALZBURG R EXTENSION BASE



PO-SAL06-030



1.



2.

3.



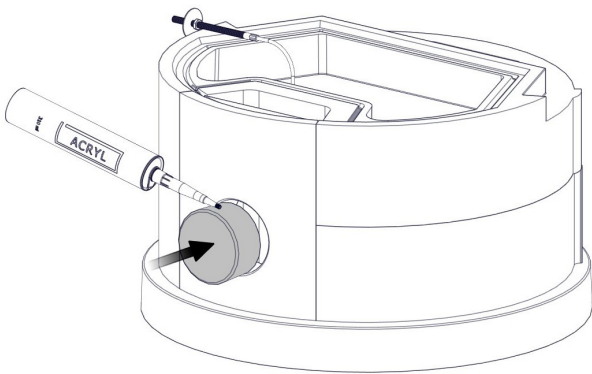
FIG 8

SALZBURG R / SALZBURG R + 1 / SALZBURG R EXTENSION BASE

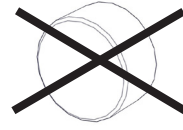
Bottom air connection
Raccordement d'air par le bas
Unterer Luftanschluss



PO-SAL06-03A



Rear air connection
Raccordement d'air par l'arrière
Hinterer Luftanschluss



PO-SAL06-03A

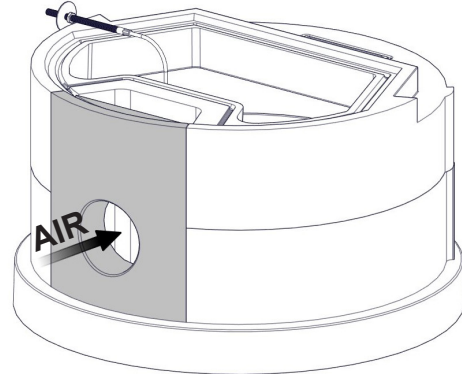
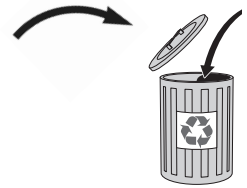


FIG 9

SALZBURG R / SALZBURG R + 1 / SALZBURG R EXTENSION BASE

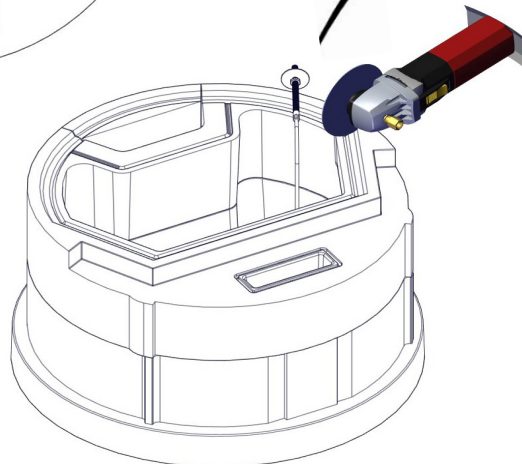
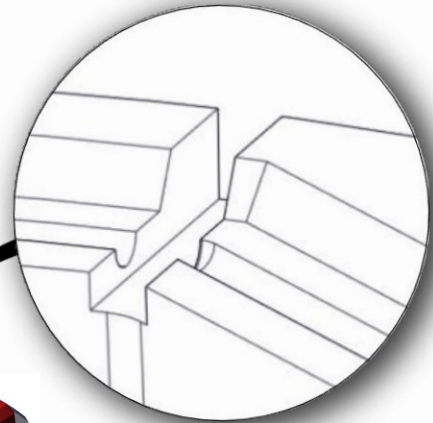
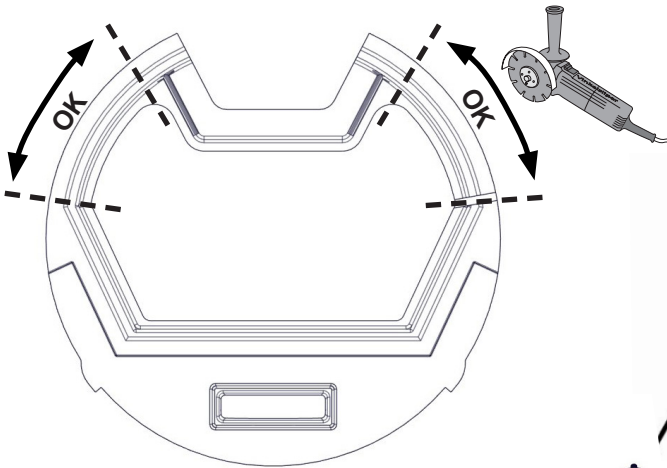


FIG 10

SALZBURG R / SALZBURG R + 1 / SALZBURG R EXTENSION BASE

Bottom air connection
Raccordement d'air par le bas
Unterer Luftanschluss



CO-SAL06-02A

CO-SAL06-020



Rear air connection
Raccordement d'air par l'arrière
Hinterer Luftanschluss



CO-SAL06-02A

CO-SAL06-020

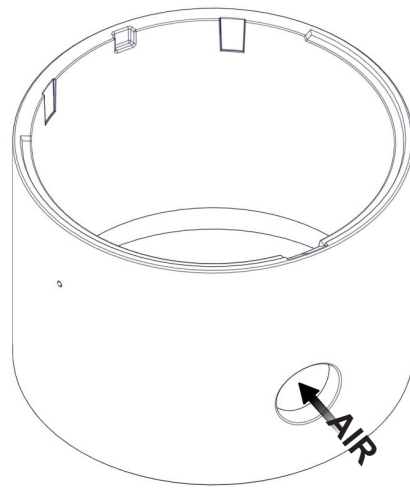
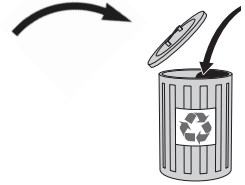
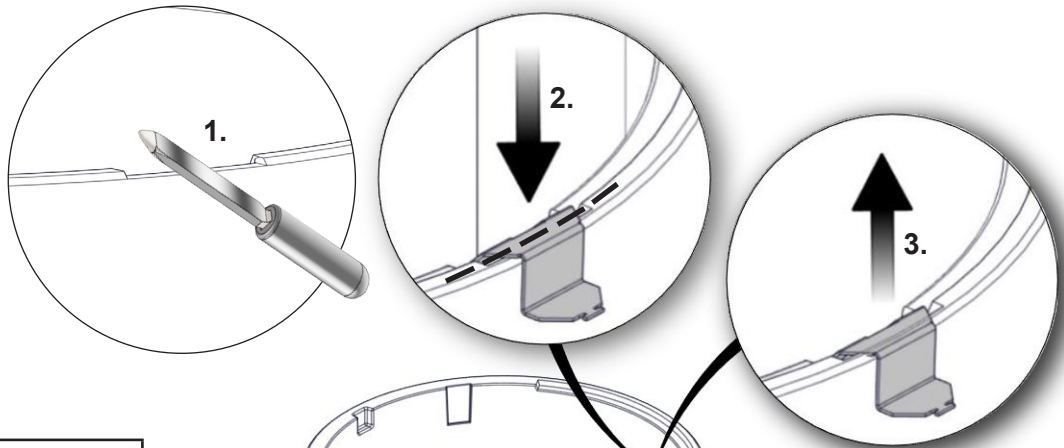
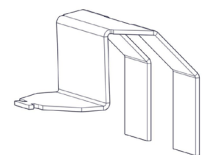
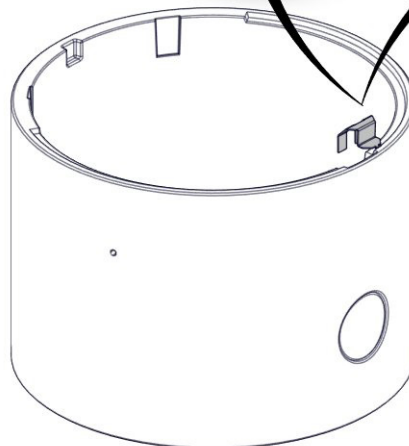


FIG 10 a

SALZBURG R / SALZBURG R + 1 / SALZBURG R EXTENSION BASE



GB	Do not use the brackets if the radiation shield will not be used.
FR	N'utilisez pas les supports sans l'écran thermique.
DE	Verwenden Sie die Halterungen nicht, wenn der Wärmeschutz entfernt wurde.



22-SAL06-280

FIG 11

SALZBURG R / SALZBURG R + 1 / SALZBURG R EXTENSION BASE

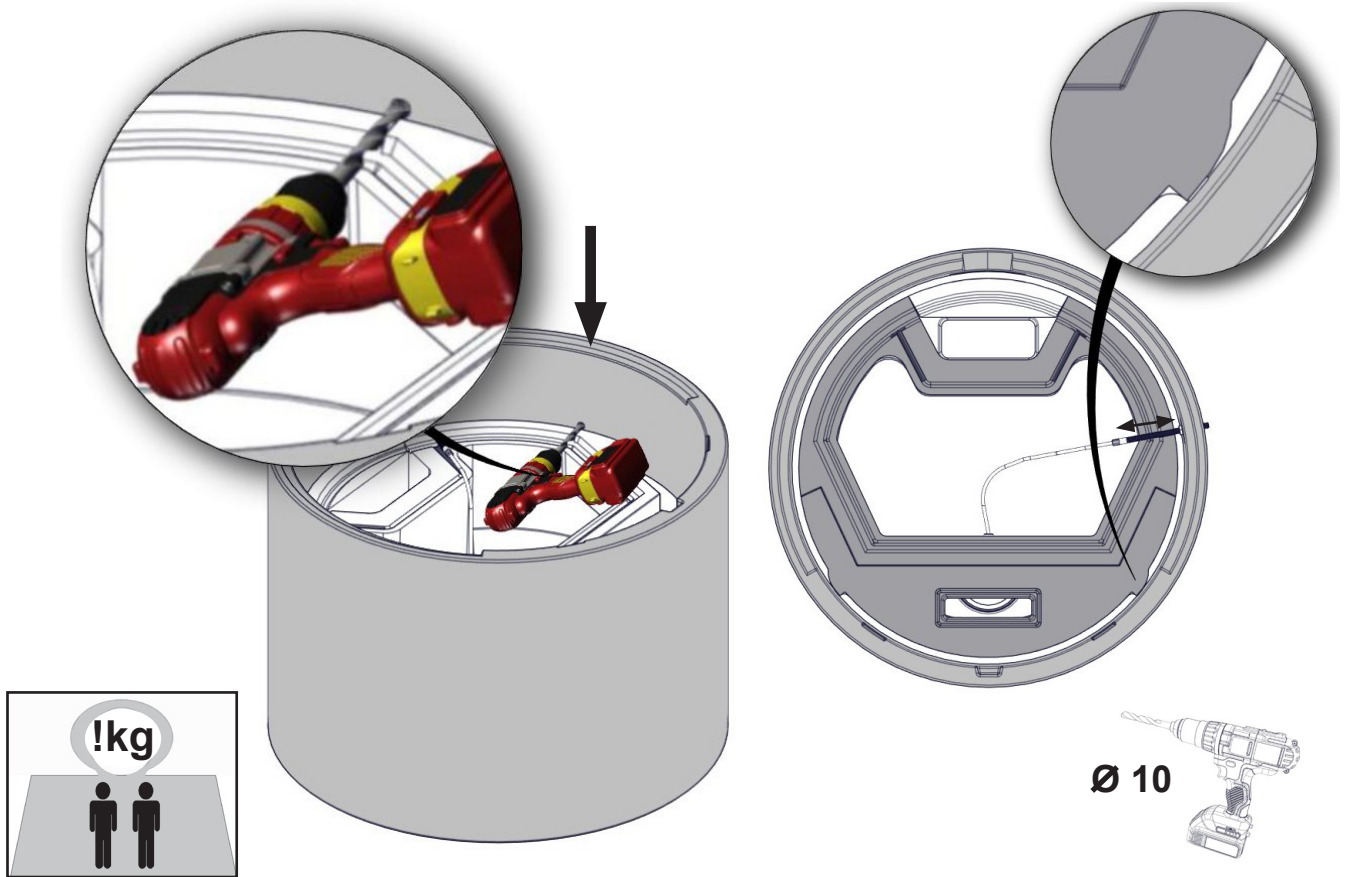


FIG 11 a

SALZBURG R / SALZBURG R + 1 / SALZBURG R EXTENSION BASE

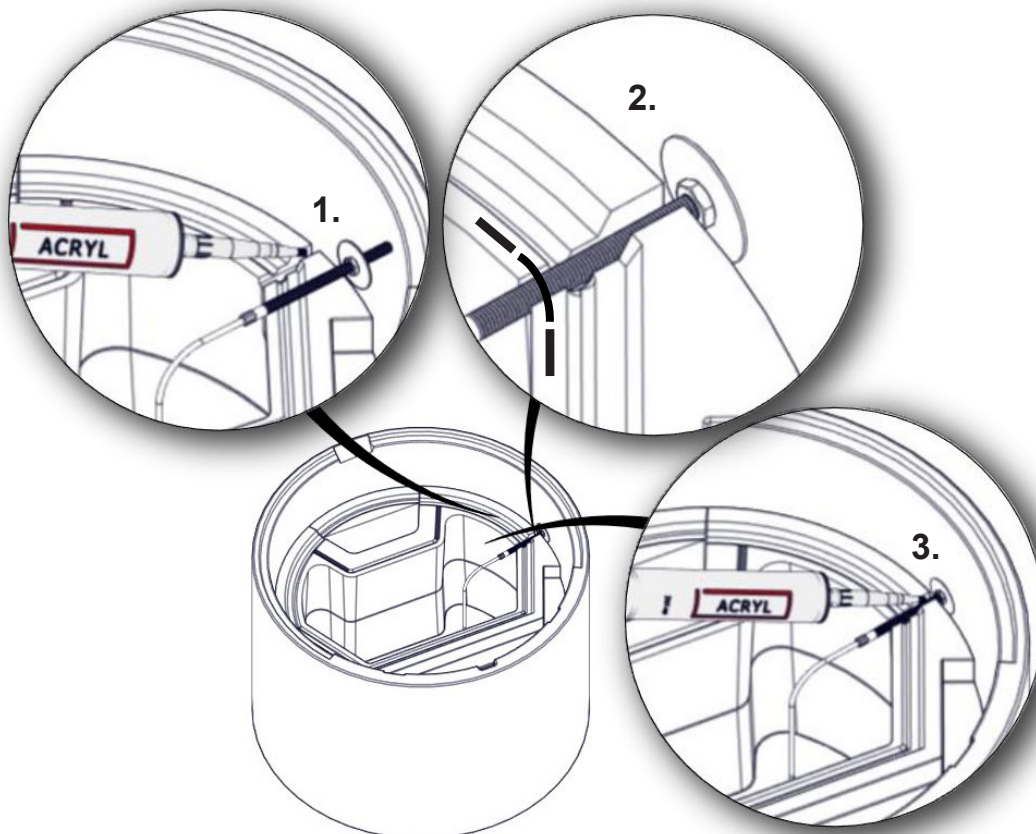


FIG 11 b SALZBURG R / SALZBURG R + 1 / SALZBURG R EXTENSION BASE

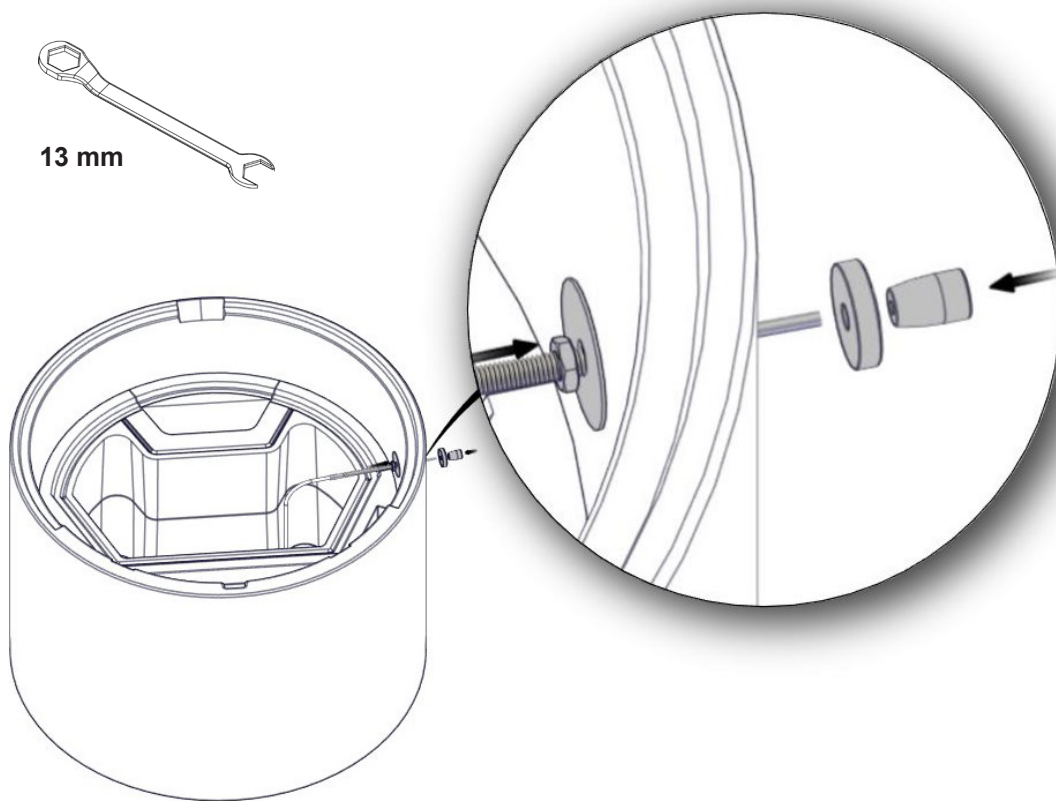
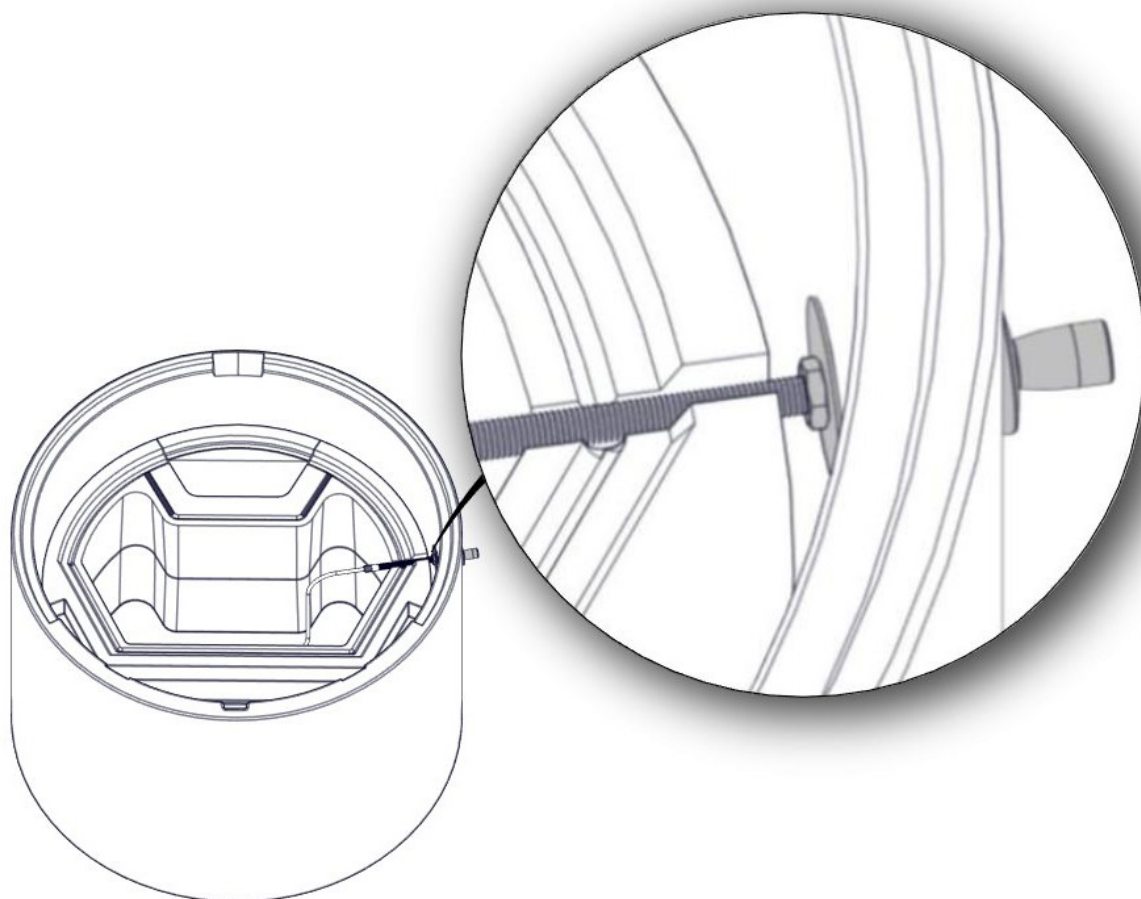


FIG 11 c SALZBURG R / SALZBURG R + 1 / SALZBURG R EXTENSION BASE





GB

NOTE! It is important to centre the inner core relative to the surround. Ensure that the core is centred after each shift of PowerStone™. Confirm that the inner core is assembled vertically, and that the layers are not offset relative to each other. There should be a 6-10 mm air gap between the inner core and the surround.

FR

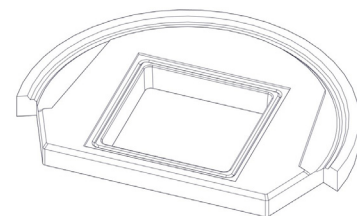
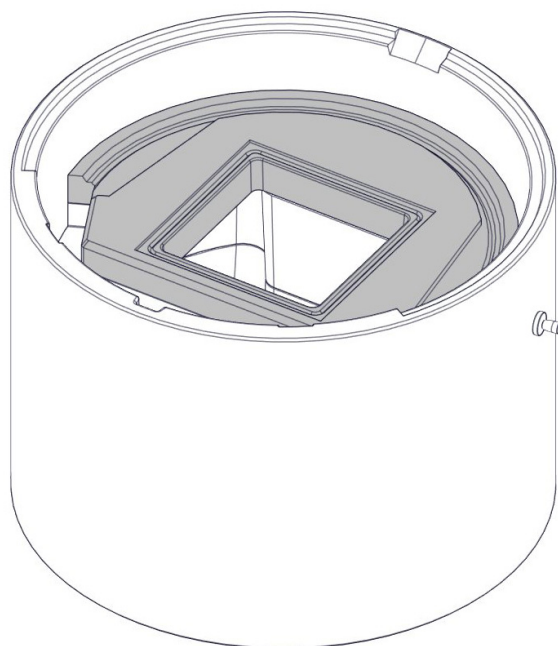
REMARQUE ! Il est important de centrer le foyer intérieur par rapport à l'habillage. S'assurer que le foyer est centré après chaque couche de PowerStone™. Vérifier que le noyau interne est monté verticalement et que les couches ne sont pas décalées l'une par rapport à l'autre. Il doit y avoir un espace de 6 à 10 mm entre le foyer intérieur et l'habillage.

DE

HINWEIS! Dabei ist es wichtig, den inneren Kern im Verhältnis zur Einfassung zu zentrieren. Stellen Sie sicher, dass der Kern nach jeder Positionsänderung von Power Stone™ zentriert ist. Stellen Sie sicher, dass der innere Kern senkrecht ist und die Schichten nicht zueinander versetzt sind. Zwischen dem inneren Kern und der Einfassung sollte sich ein Luftspalt von 6-10 mm befinden.

FIG 12

SALZBURG R / SALZBURG R + 1 / SALZBURG R EXTENSION BASE



PO-SAL06-040

FIG 13

SALZBURG R / SALZBURG R + 1 / SALZBURG R EXTENSION BASE

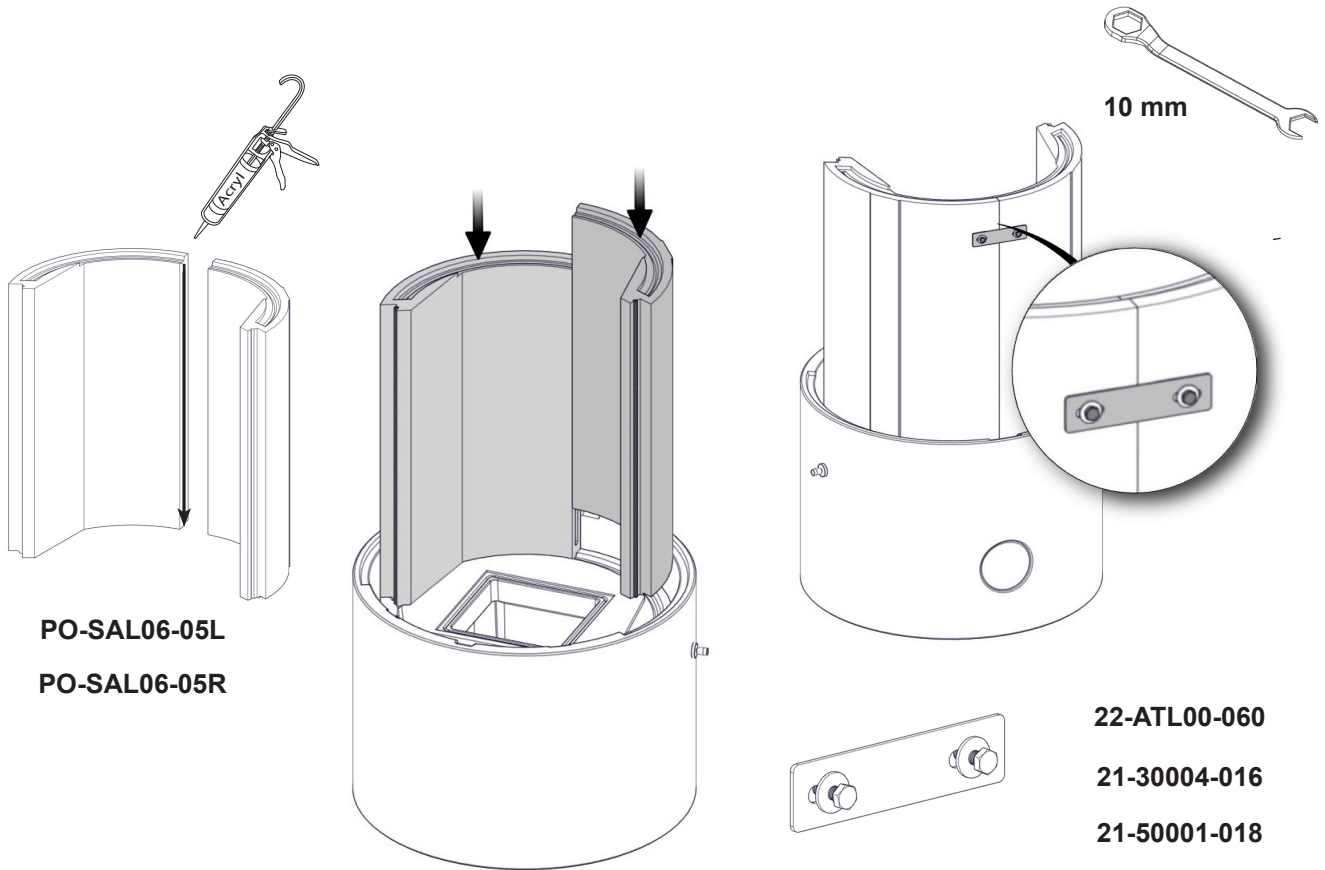
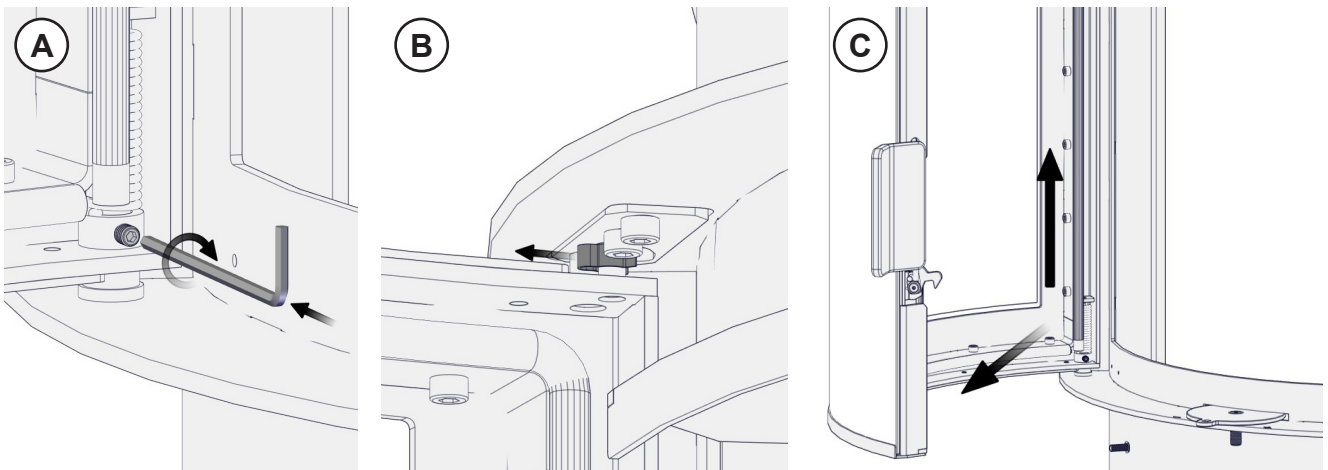


FIG 14

SALZBURG R / SALZBURG R + 1 / SALZBURG R EXTENSION BASE



GB	We recommend removing the door during assembly in order not to damage it. Open the door and gently tighten the small screw with a 2,5 mm Allen key Remove the transportation lock and lift the door up and out of the lower edge. Be careful when the door is pulled out from the bottom as to not damaging the frame.
FR	Nous vous recommandons de retirer la porte pendant le montage pour éviter de l'endommager. Ouvrez la porte et serrez doucement les petites vis Allen avec une clé Allen de 3 mm. Retirez le verrou de transport et soulevez la porte vers le haut et hors de la bordure inférieure. Faire attention lorsque la porte est retirée, à ce que le cadre ne soit pas endommagé.
DE	Damit das Glas der Feuerraumtür während der Montage nicht beschädigt wird, Öffnen Sie die Tür und vorsichtig anziehen die Unbrakoschraube mit einem 2,5 mm Sechskantschlüssel, entfernen Sie die Transportsicherung und heben die Türe hoch und dann vorsichtig unten heraus.

FIG 14 a

SALZBURG R / SALZBURG R + 1 / SALZBURG R EXTENSION BASE

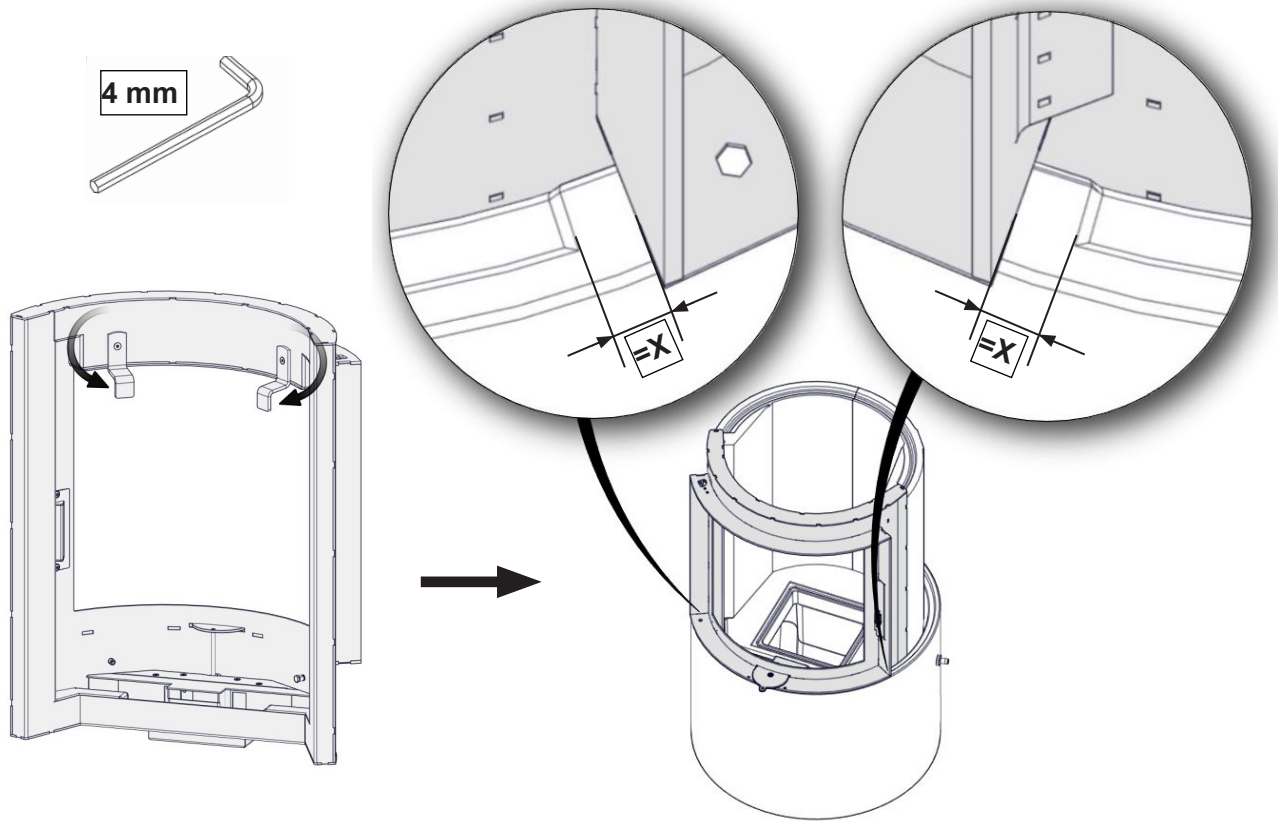


FIG 15

SALZBURG R / SALZBURG R + 1 / SALZBURG R EXTENSION BASE

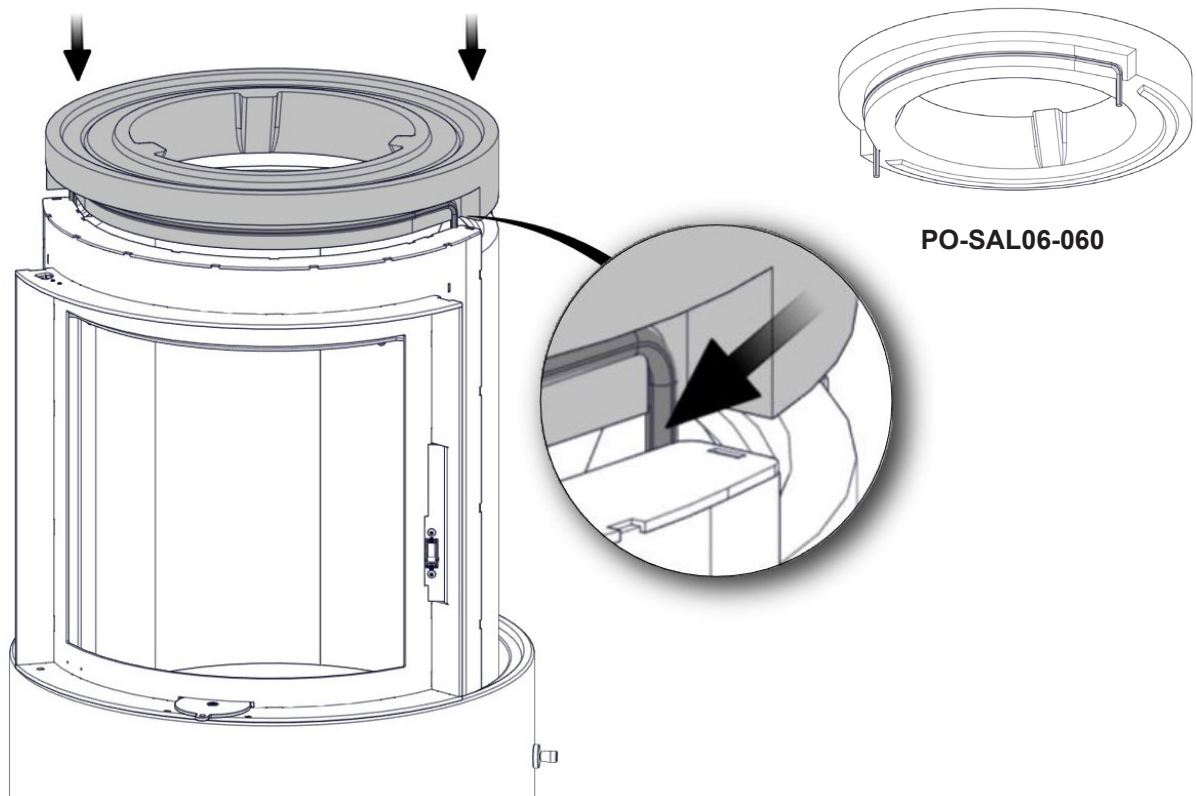


FIG 15 a

SALZBURG R / SALZBURG R + 1 / SALZBURG R EXTENSION BASE

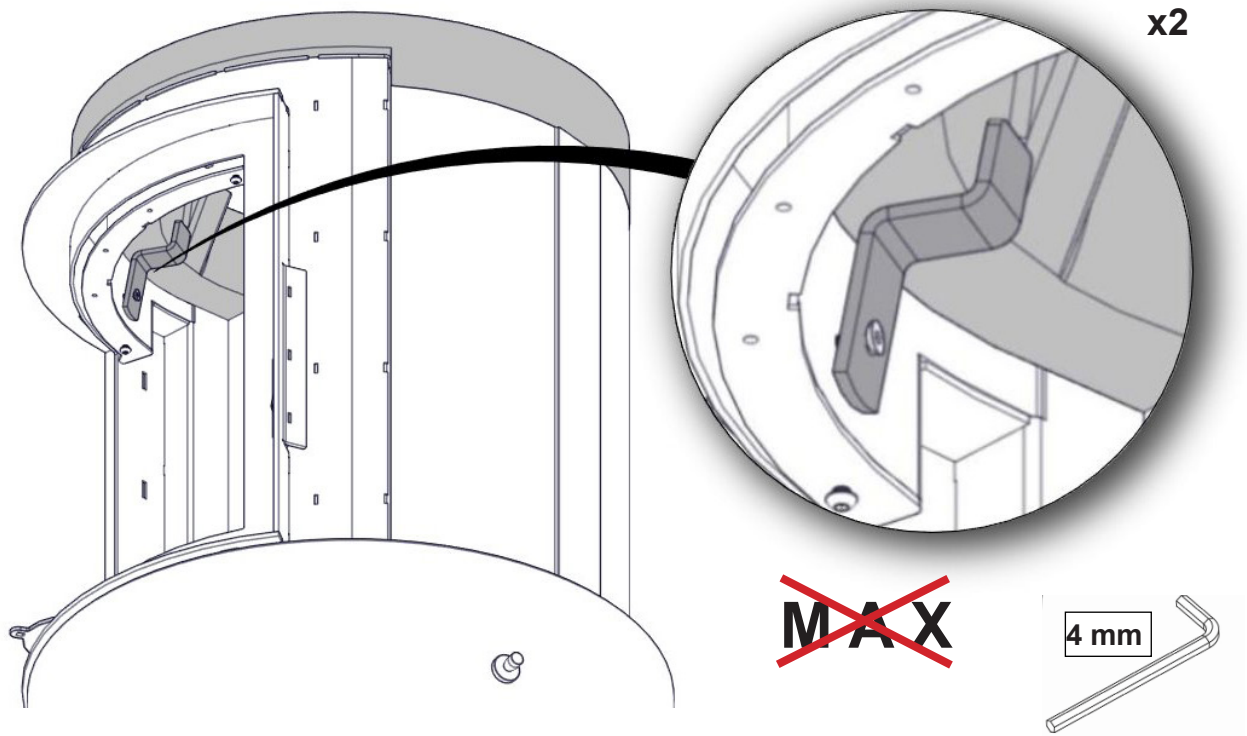


FIG 15 b

SALZBURG R / SALZBURG R + 1 / SALZBURG R EXTENSION BASE

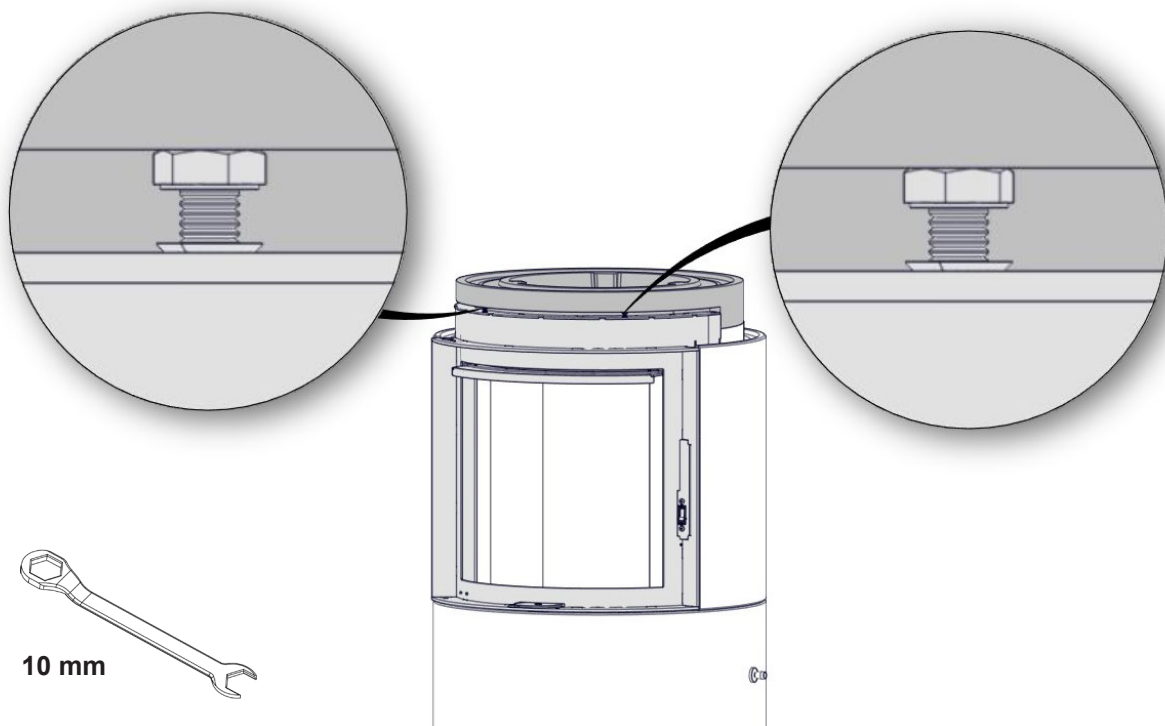
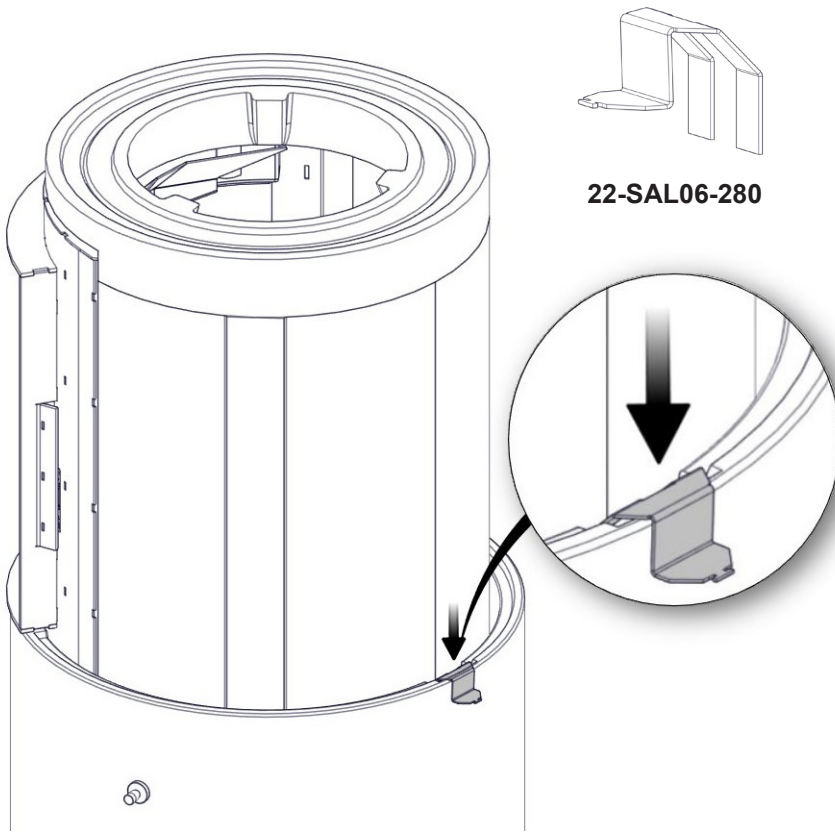


FIG 16

SALZBURG R / SALZBURG R + 1 / SALZBURG R EXTENSION BASE



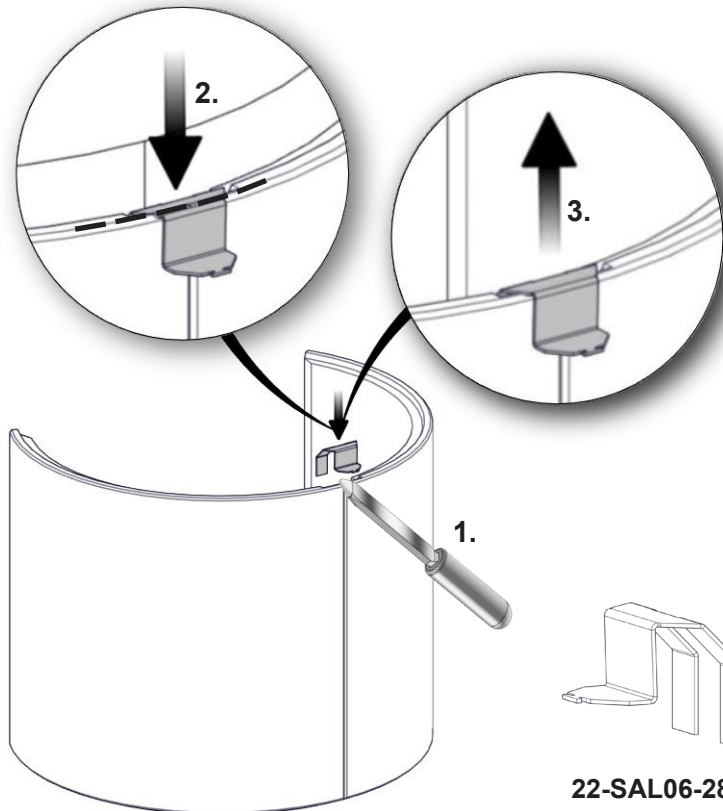
22-SAL06-280

GB	Do not use the brackets if the radiation shield will not be used.
FR	N'utilisez pas les supports sans l'écran thermique.
DE	Verwenden Sie die Halterungen nicht, wenn der Wärmeschutz entfernt wurde.

FIG 17

SALZBURG R / SALZBURG R + 1 / SALZBURG R EXTENSION BASE

GB	Do not use the brackets if the radiation shield will not be used.
FR	N'utilisez pas les supports sans l'écran thermique.
DE	Verwenden Sie die Halterungen nicht, wenn der Wärmeschutz entfernt wurde.



CO-SAL06-03L

CO-SAL06-03R

22-SAL06-280

FIG 17 a

SALZBURG R / SALZBURG R + 1 / SALZBURG R EXTENSION BASE

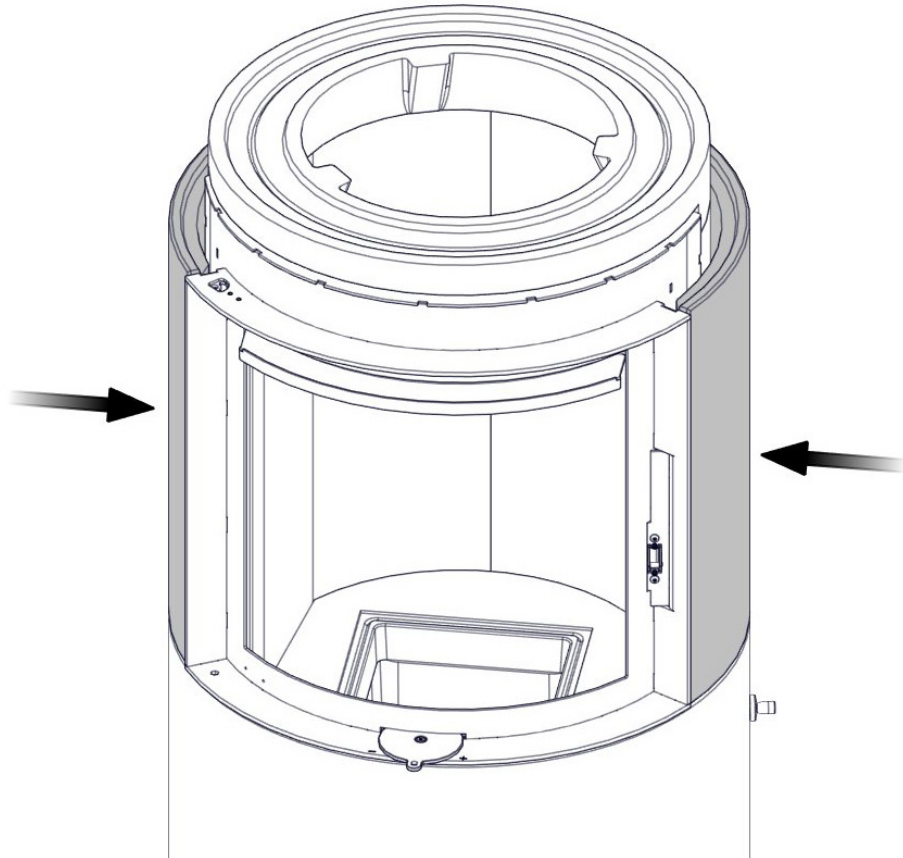
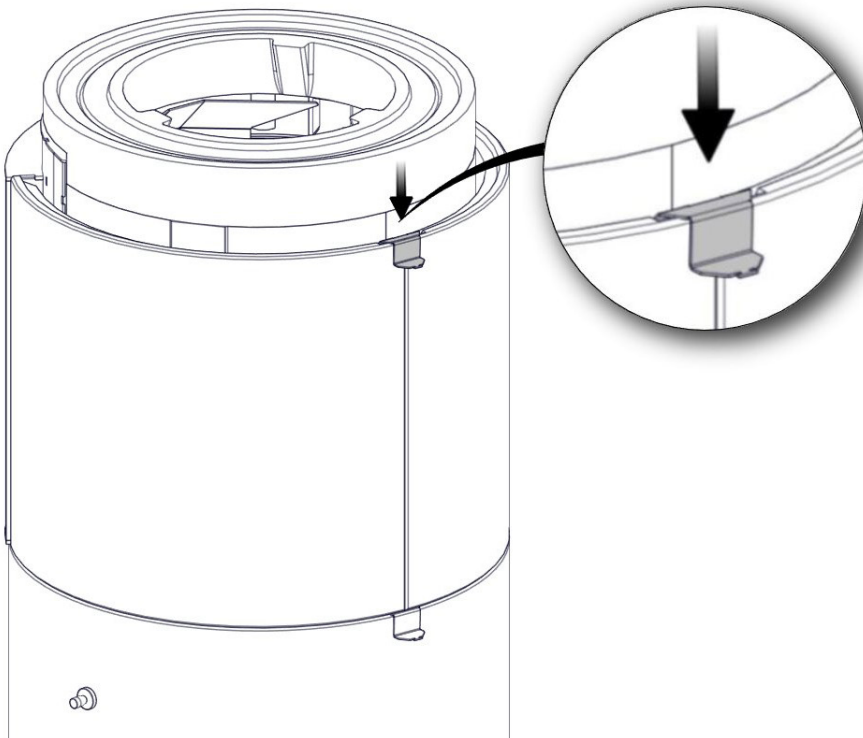
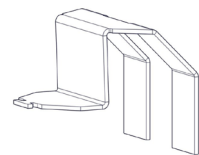


FIG 17 b

SALZBURG R / SALZBURG R + 1 / SALZBURG R EXTENSION BASE



GB	Do not use the brackets if the radiation shield will not be used.
FR	N'utilisez pas les supports sans l'écran thermique.
DE	Verwenden Sie die Halterungen nicht, wenn der Wärmeschutz entfernt wurde.



22-SAL06-280

FIG 17 c

SALZBURG R / SALZBURG R + 1 / SALZBURG R EXTENSION BASE

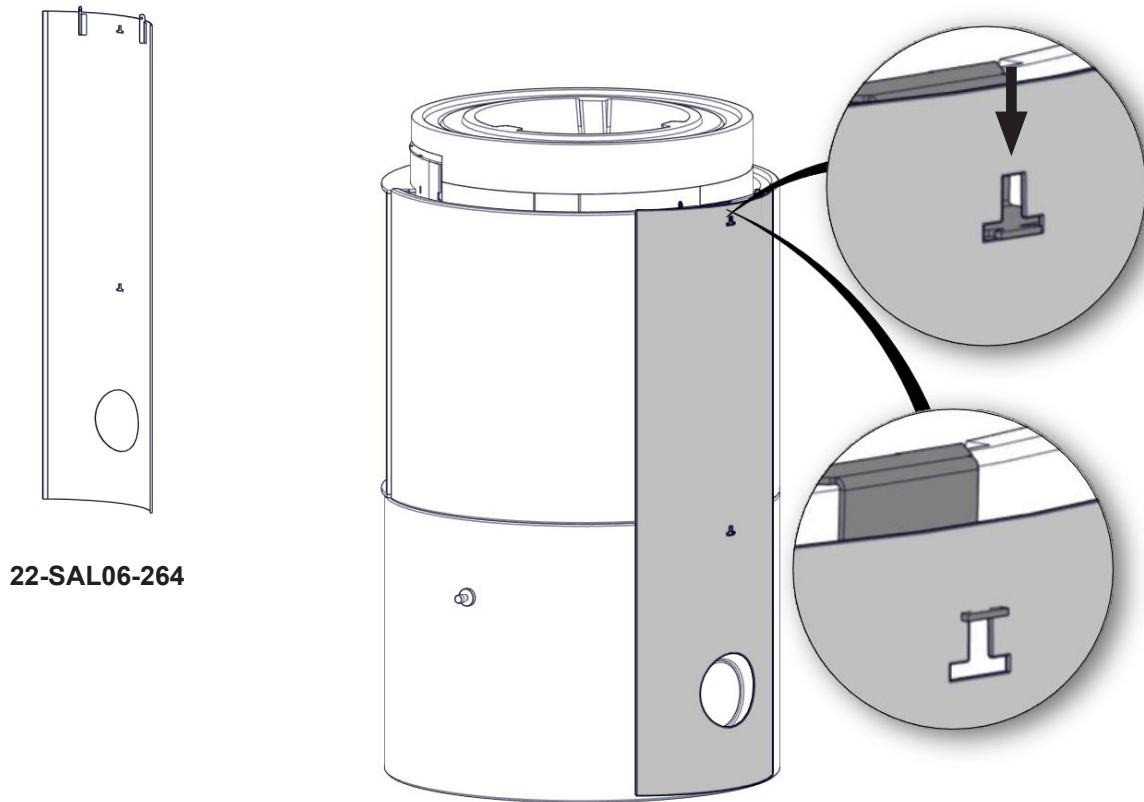
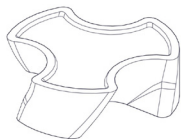


FIG 18

SALZBURG R / SALZBURG R + 1 / SALZBURG R EXTENSION BASE

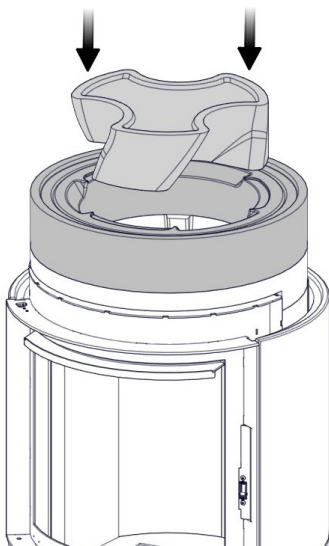
1.



PO-SAL06-100



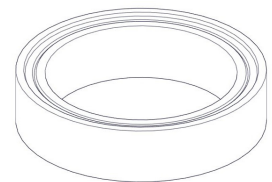
PO-SAL06-080



2.



PO-SAL06-110



PO-SAL06-090

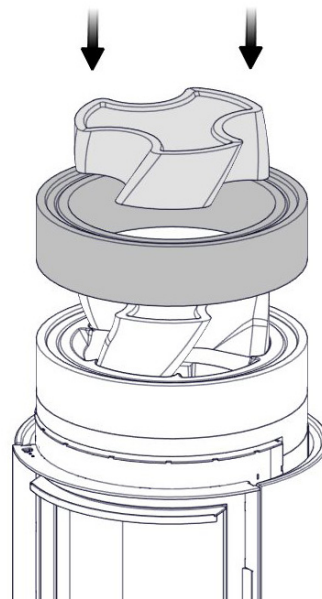
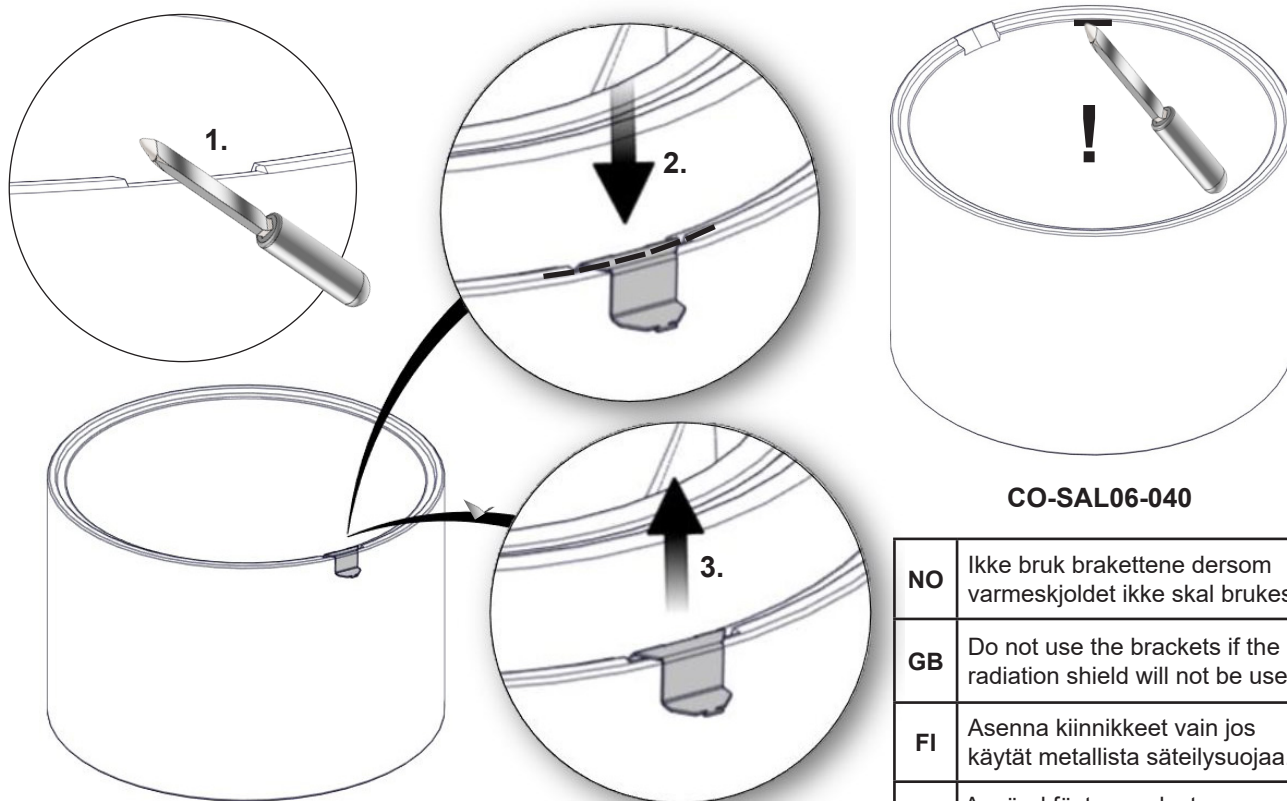


FIG 19

SALZBURG R / SALZBURG R + 1 / SALZBURG R EXTENSION BASE



CO-SAL06-040

NO	Ikke bruk brakettene dersom varmeskjoldet ikke skal brukes.
GB	Do not use the brackets if the radiation shield will not be used.
FI	Asenna kiinnikkeet vain jos käytät metallista säteilysojaa.
SE	Använd fästen endast om strålningskydd ska användas.

FIG 20

SALZBURG R / SALZBURG R + 1 / SALZBURG R EXTENSION BASE

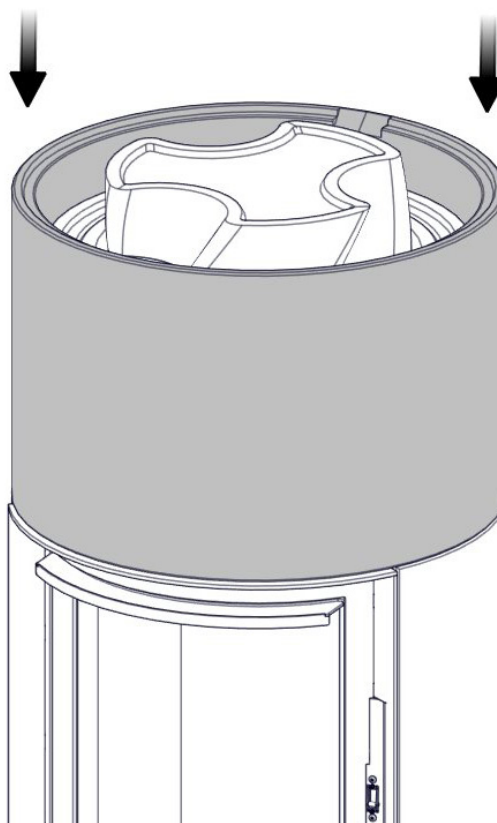
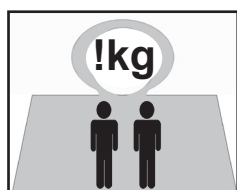
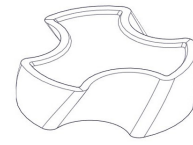
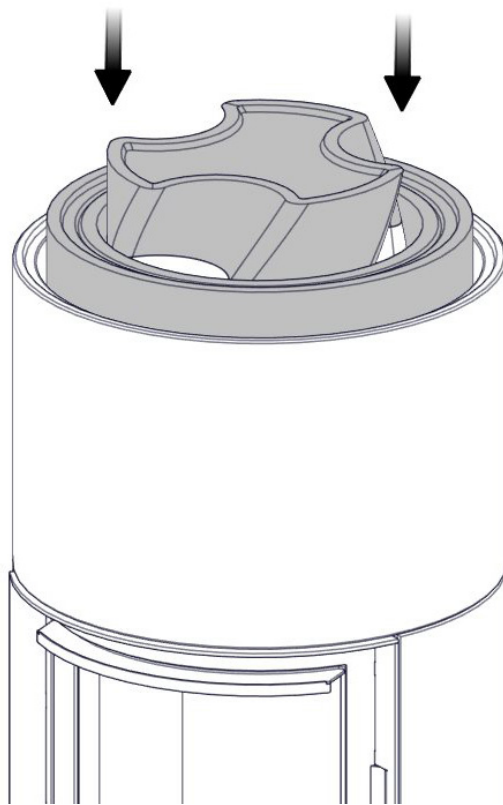
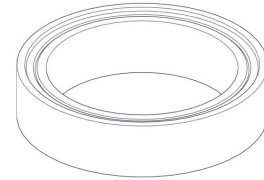


FIG 20 a

SALZBURG R / SALZBURG R + 1 / SALZBURG R EXTENSION BASE



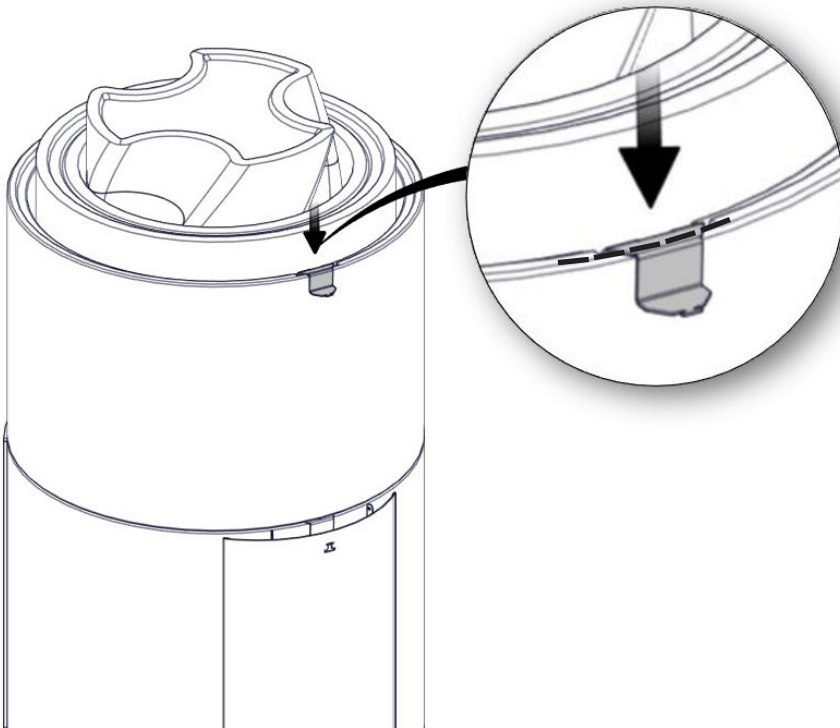
PO-SAL06-110



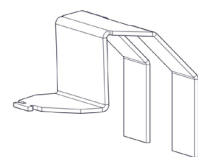
PO-SAL06-090

FIG 20 b

SALZBURG R / SALZBURG R + 1 / SALZBURG R EXTENSION BASE



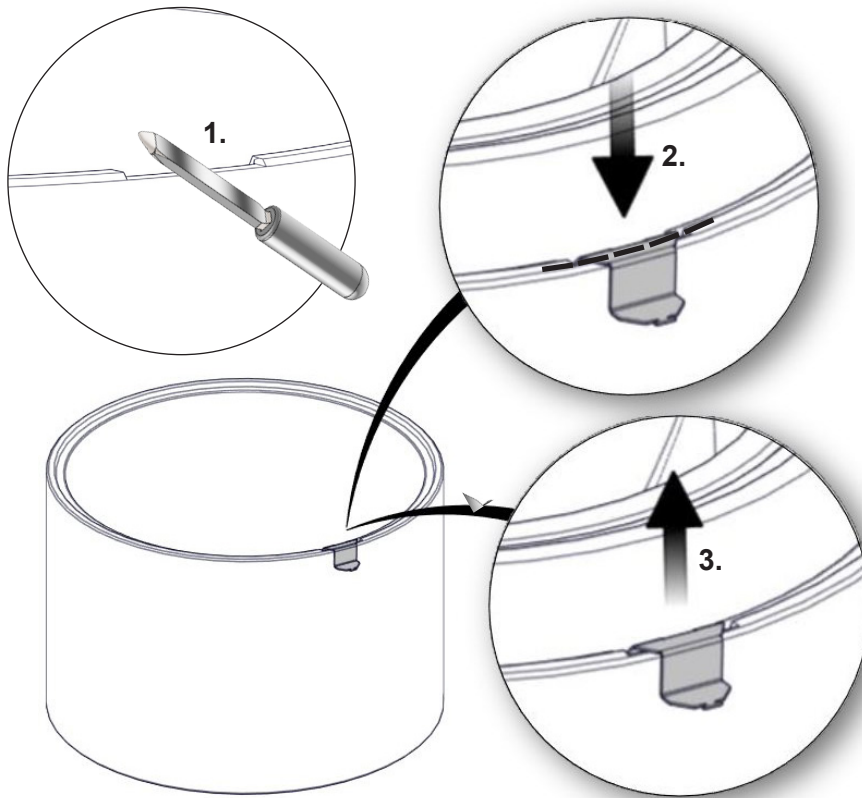
GB	Do not use the brackets if the radiation shield will not be used.
FR	N'utilisez pas les supports sans l'écran thermique.
DE	Verwenden Sie die Halterungen nicht, wenn der Wärmeschutz entfernt wurde.



22-SAL06-280

FIG 21

SALZBURG R + 1 (extension - optional)

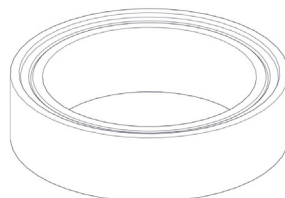
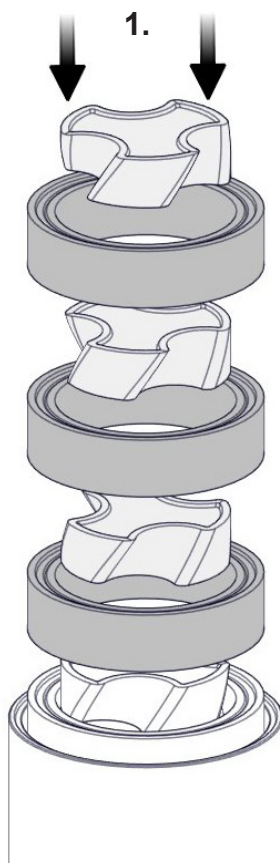


CO-SAL06-040

GB	Do not use the brackets if the radiation shield will not be used.
FR	N'utilisez pas les supports sans l'écran thermique.
DE	Verwenden Sie die Halterungen nicht, wenn der Wärmeschutz entfernt wurde.

FIG 21 a

SALZBURG R + 1 (extension - optional)



PO-SAL06-160 x3



PO-SAL06-110 x3

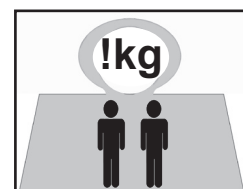
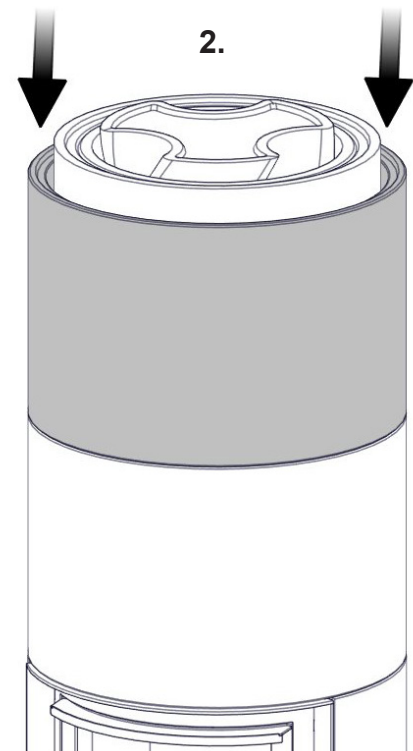
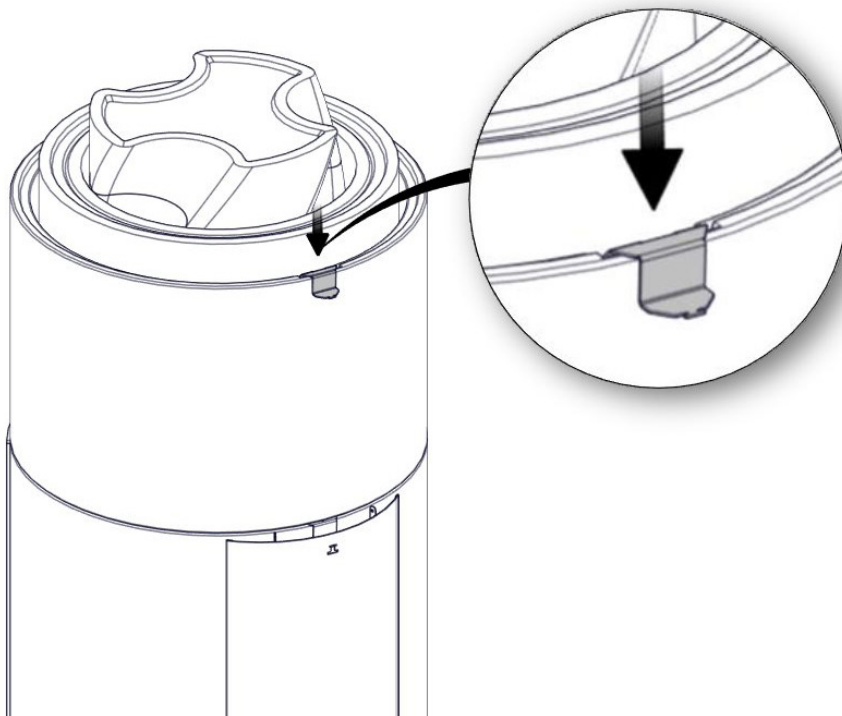
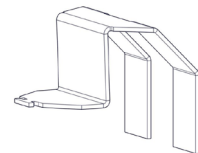


FIG 21 b SALZBURG R + 1 (extension - optional)

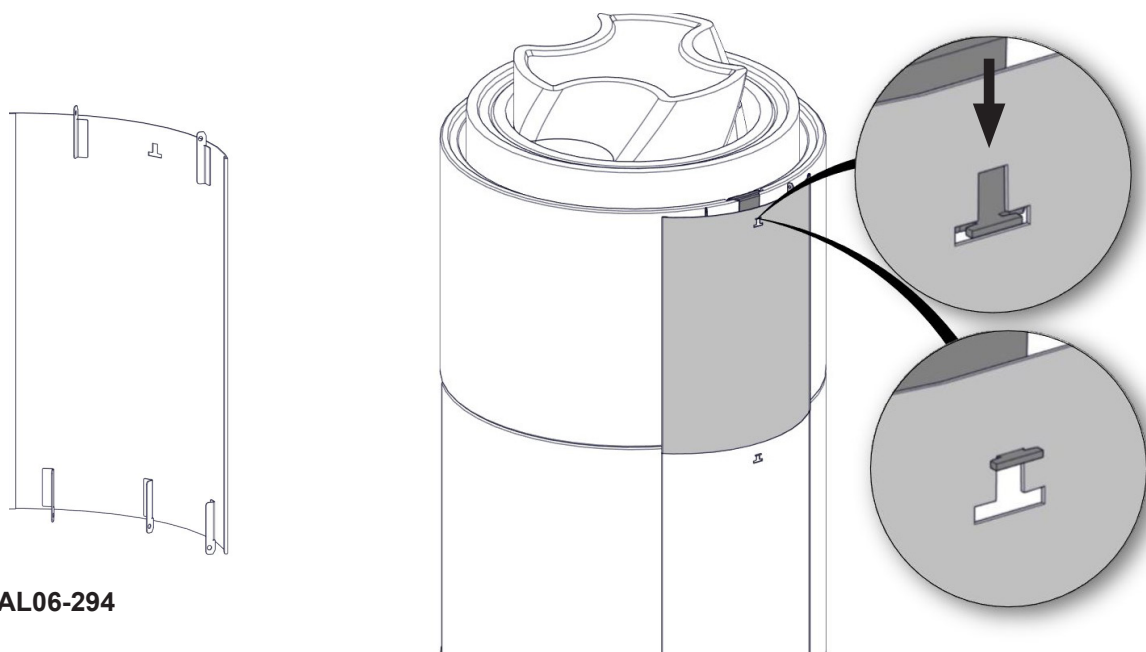


GB	Do not use the brackets if the radiation shield will not be used.
FR	N'utilisez pas les supports sans l'écran thermique.
DE	Verwenden Sie die Halterungen nicht, wenn der Wärmeschutz entfernt wurde.



22-SAL06-280

FIG 21 c SALZBURG R + 1 (extension - optional)



22-SAL06-294

GB	If you are not assembling Salzburg R +1, please skip FIG 21c and continue assembling from FIG 22.
FR	Si vous assemblez pas Salzburg R +1, s'il vous plaît passez la FIG 21c et continuer le montage de la FIG 22.
DE	Wenn Sie nicht Modell Salzburg R+1 aufstellen, überspringen Sie FIG 21c und montieren ab FIG 22 weiter.

FIG 22

SALZBURG R / SALZBURG R + 1 / SALZBURG R EXTENSION BASE

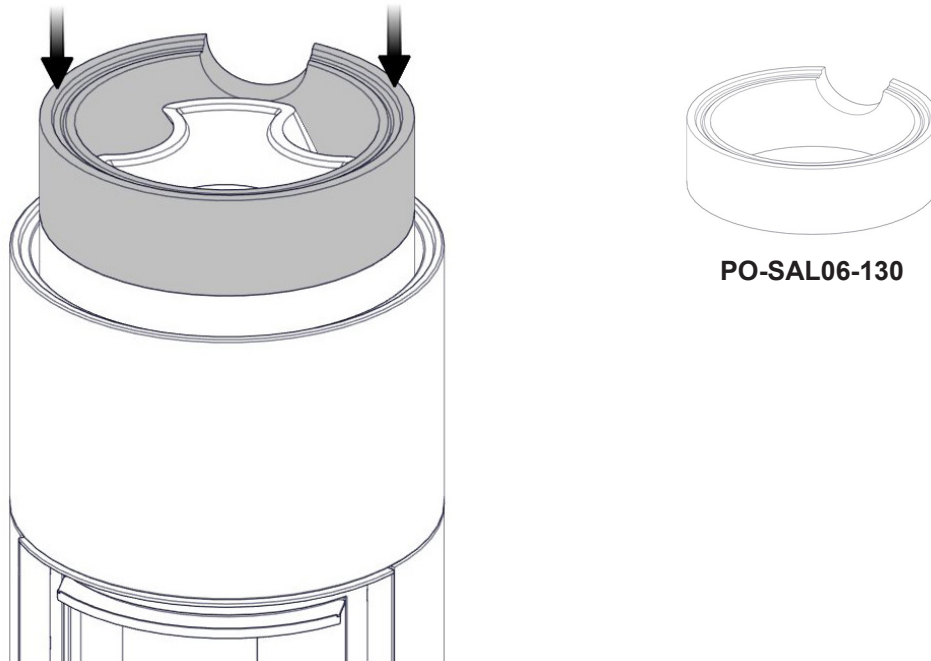


FIG 23

SALZBURG R / SALZBURG R + 1 / SALZBURG R EXTENSION BASE

Rear flue connection
Connexion supérieure / Top Anschluss

22-SAL06-174

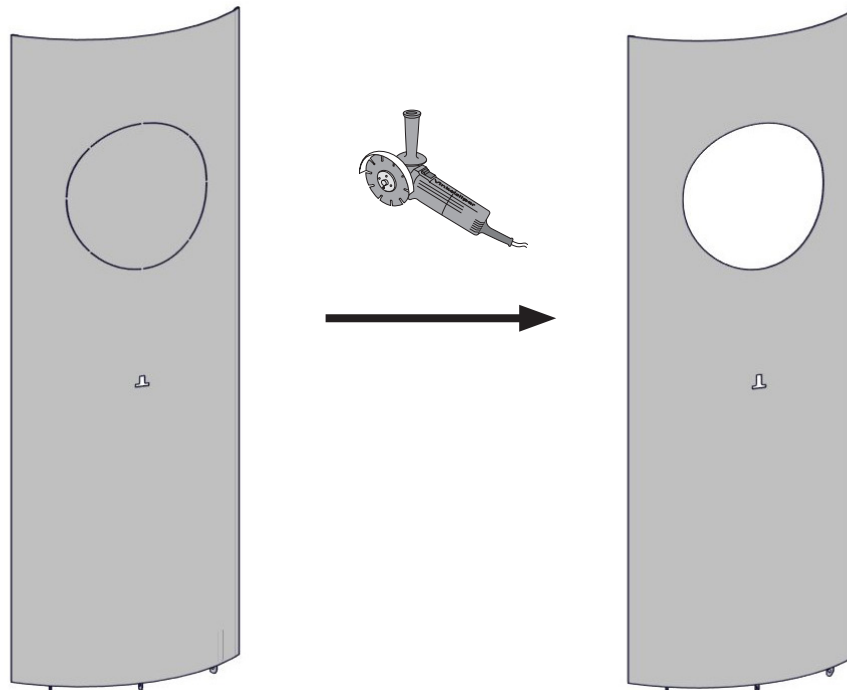
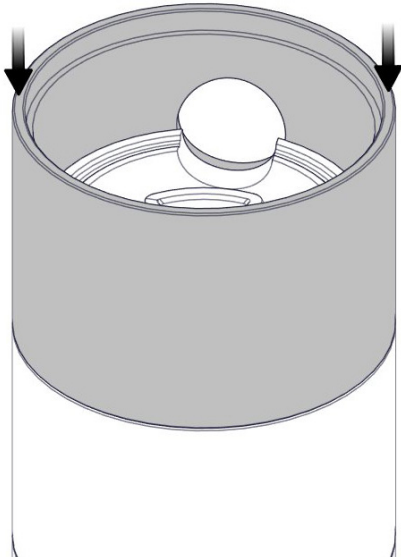


FIG 23

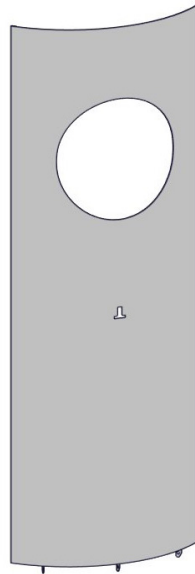
SALZBURG R / SALZBURG R + 1 / SALZBURG R EXTENSION BASE

Rear flue connection
Raccordement arrière / Anschluss hinten

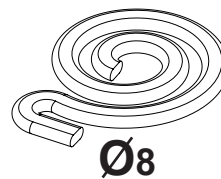
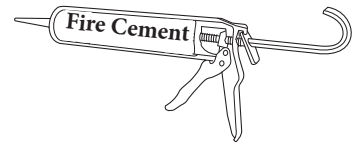
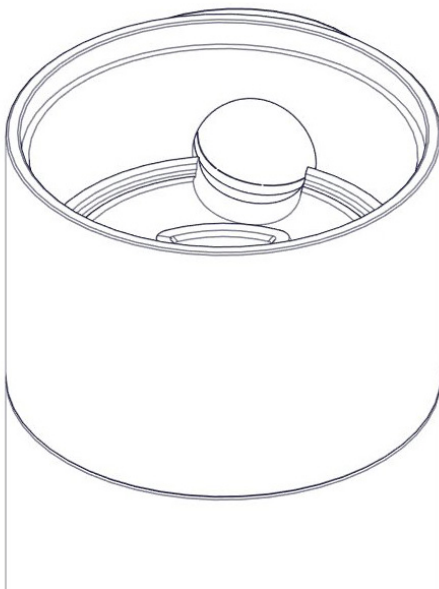
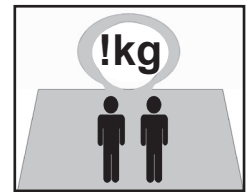
1.



2.



CO-SAL06-050

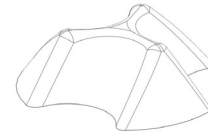
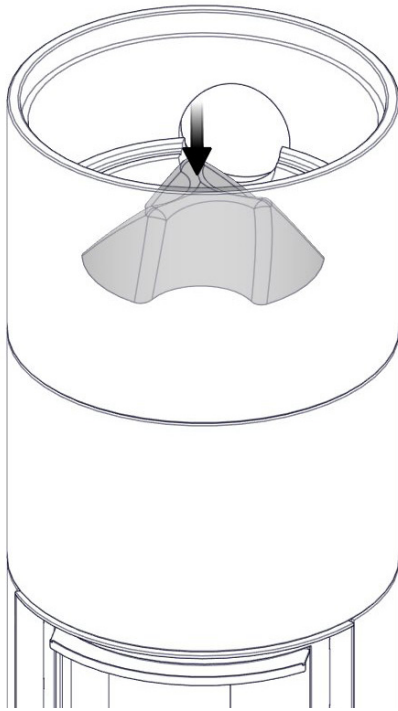


GB	Place the smokepipe. Before placing the next Powerstone, make sure the connection between the Powerstone and the smokepipe is sealed. The flue pipe should be flush with the inside of the Powerstone.
FR	Montez le conduit de fumée. Avant de placer l'élément en Powerstone suivant, assurez-vous que la raccordement entre le Powerstone et le conduit de fumée est scellé. Le conduit de fumée doit être aligné avec l'intérieur de la Powerstone.
DE	Positionieren Sie das Rauchrohr. Vergewissern Sie sich vor dem Positionieren des nächsten Power Stone-Elements, dass die Verbindung zwischen Power Stone und Rauchrohr abgedichtet ist. Das Rauchgasrohr sollte bündig mit der Innenseite des Powerstone abschließen.

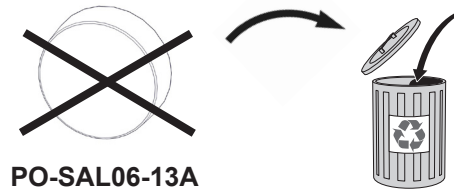
FIG 24

SALZBURG R / SALZBURG R + 1 / SALZBURG R EXTENSION BASE

**Rear flue connection
Raccordement arrière / Anschluss hinten**



PO-SAL06-120

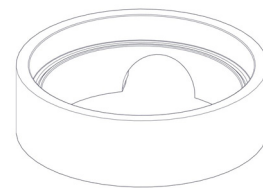
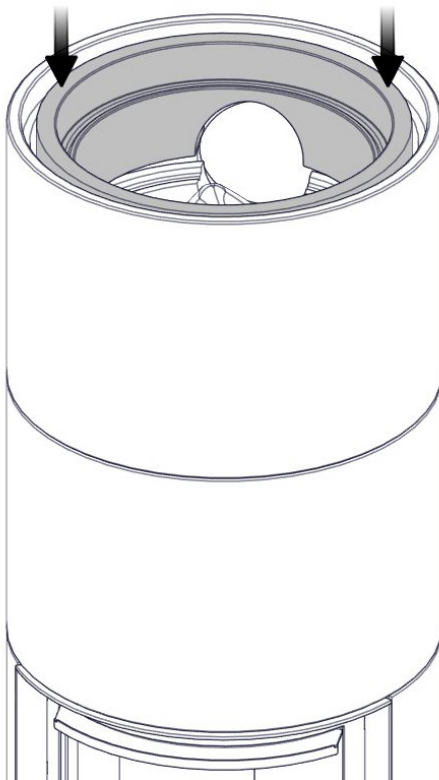


PO-SAL06-13A

FIG 25

SALZBURG R / SALZBURG R + 1 / SALZBURG R EXTENSION BASE

**Rear flue connection
Raccordement arrière / Anschluss hinten**

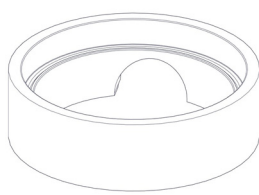


PO-SAL06-140

FIG 26

SALZBURG R / SALZBURG R + 1 / SALZBURG R EXTENSION BASE

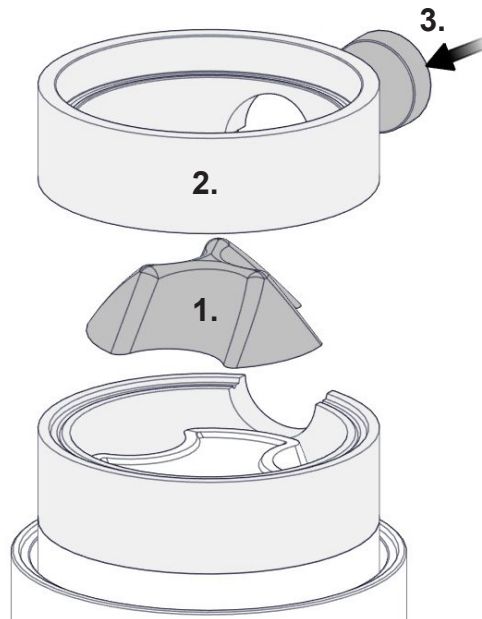
Top flue connection
Connexion supérieure / Top Anschluss



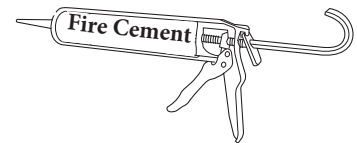
PO-SAL06-140



PO-SAL06-120



PO-SAL06-13A

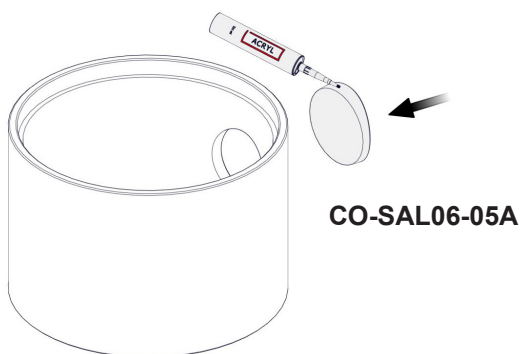


GB	Glue the Powerstone cover to the elements using fire cement or similar.
FR	Fixez le bouchon de Powerstone à l'élément à l'aide de ciment réfractaire ou similaire.
DE	Die Powerstone Abdeckung mit Feuerzement oder ähnlichem auf das Element kleben.

FIG 27

SALZBURG R / SALZBURG R + 1 / SALZBURG R EXTENSION BASE

Top flue connection
Connexion supérieure / Top Anschluss



CO-SAL06-05A

CO-SAL06-050

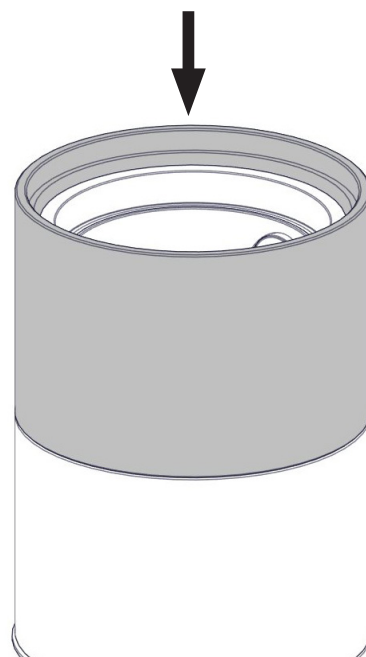
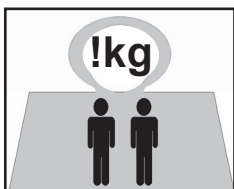


FIG 28

SALZBURG R / SALZBURG R + 1 / SALZBURG R EXTENSION BASE

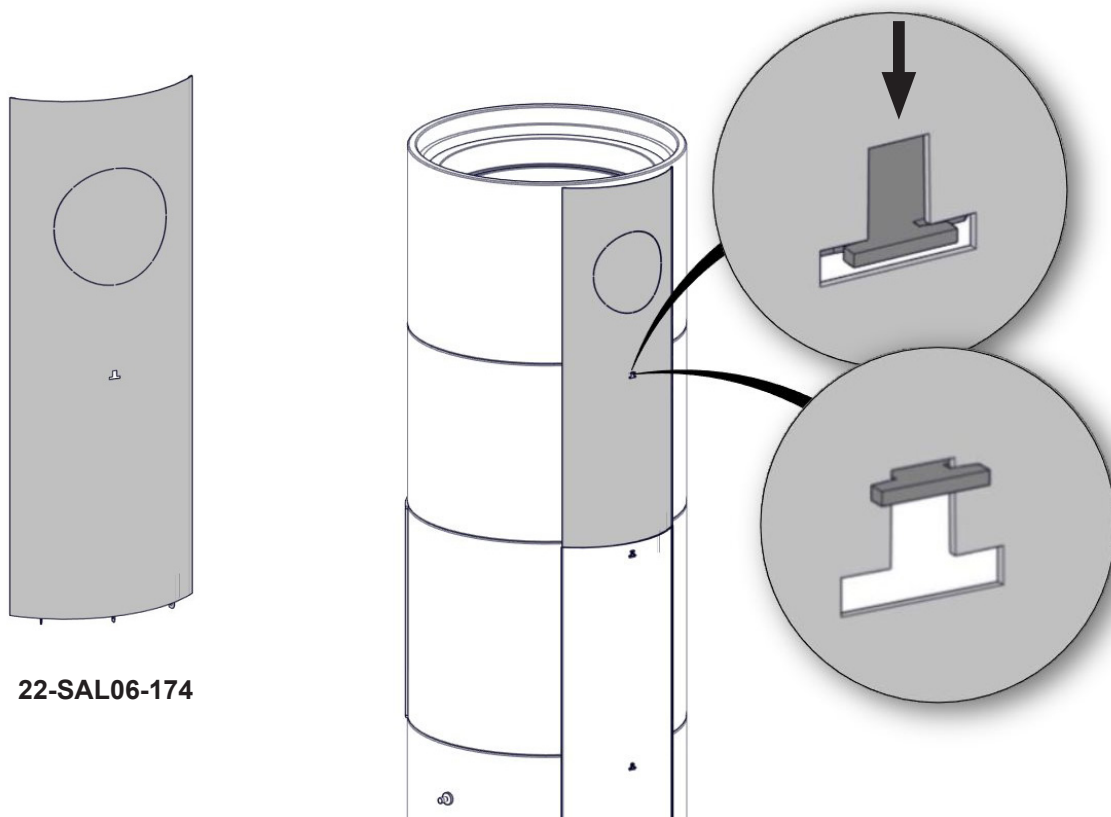


FIG 29

SALZBURG R / SALZBURG R + 1 / SALZBURG R EXTENSION BASE

Rear flue connection
Raccordement arrière / Anschluss hinten

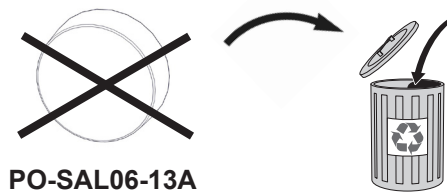
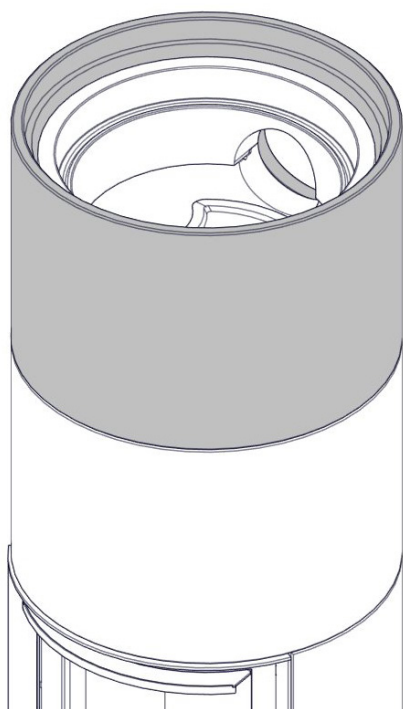
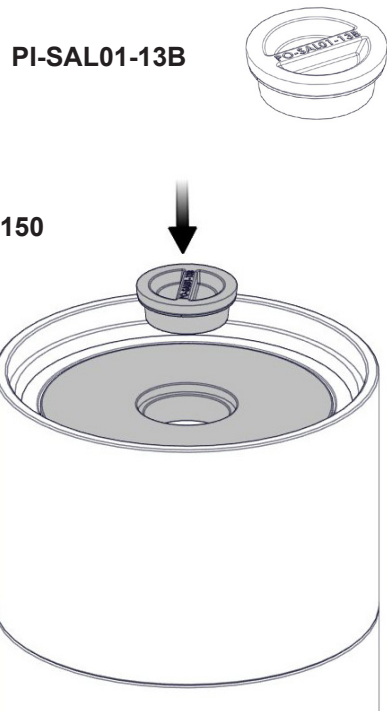


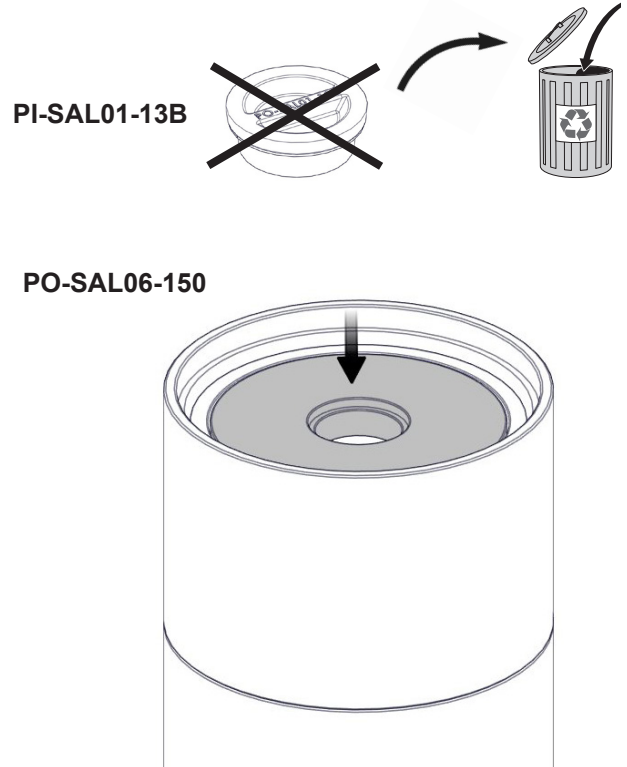
FIG 30

SALZBURG R / SALZBURG R + 1 / SALZBURG R EXTENSION BASE

Rear flue connection
Raccordement arrière
Anschluss hinten



Top flue connection
Connexion supérieure
Top Anschluss



22-SAL06-324

CO-SAL06-060

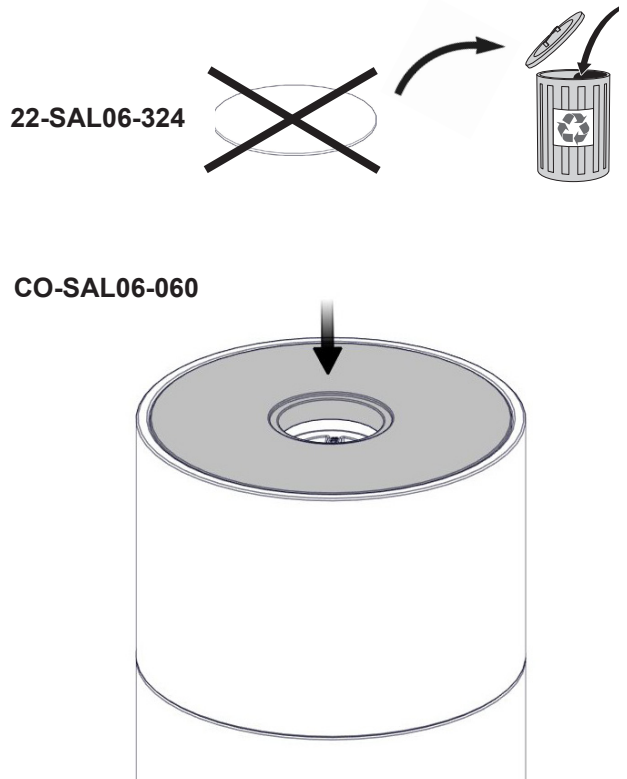


FIG 31

SALZBURG R / SALZBURG R + 1 / SALZBURG R EXTENSION BASE

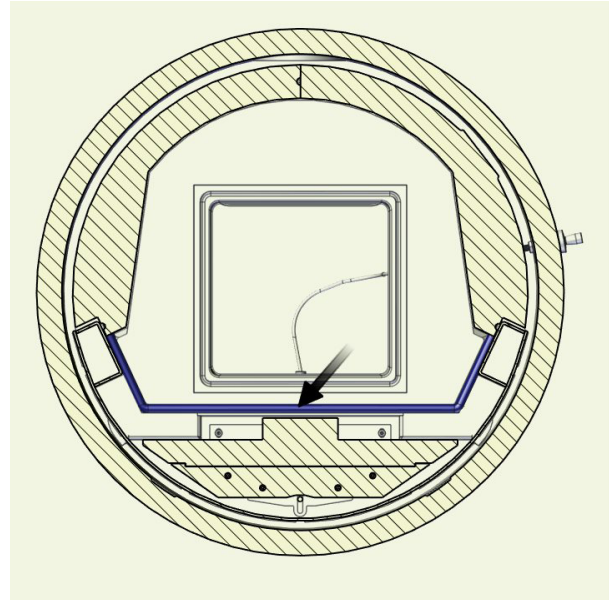
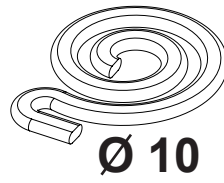
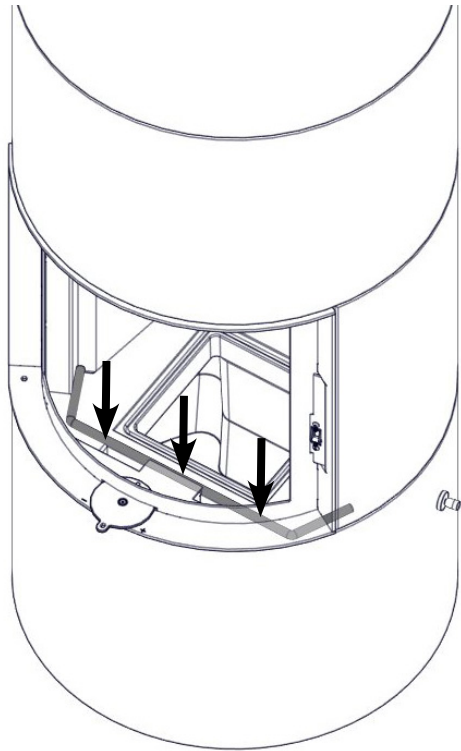


FIG 31 a

SALZBURG R / SALZBURG R + 1 / SALZBURG R EXTENSION BASE

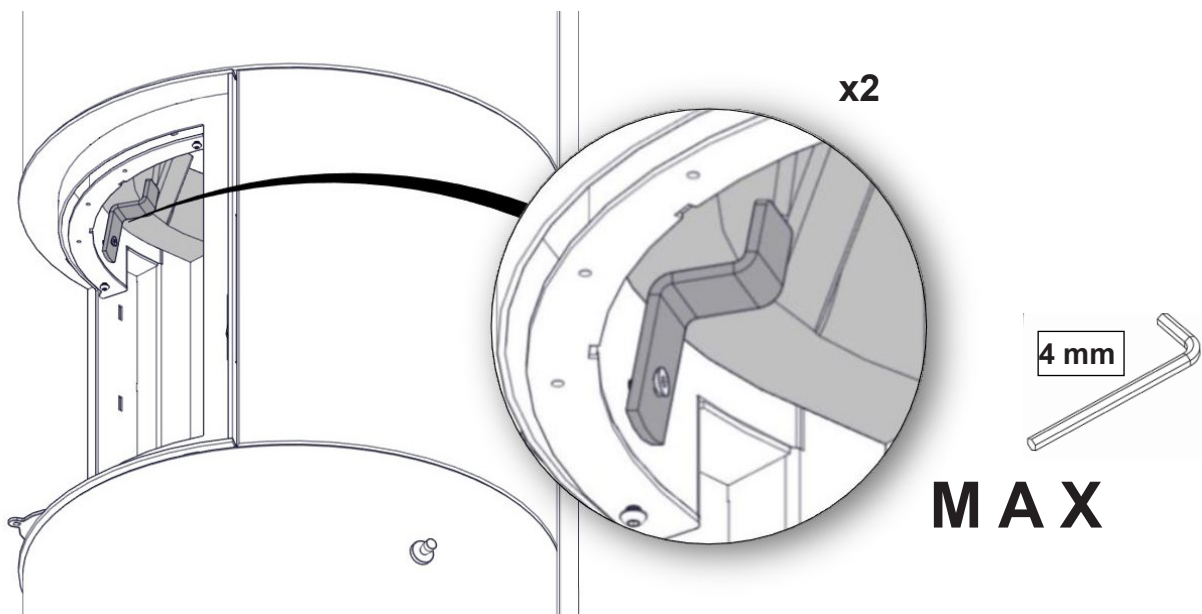
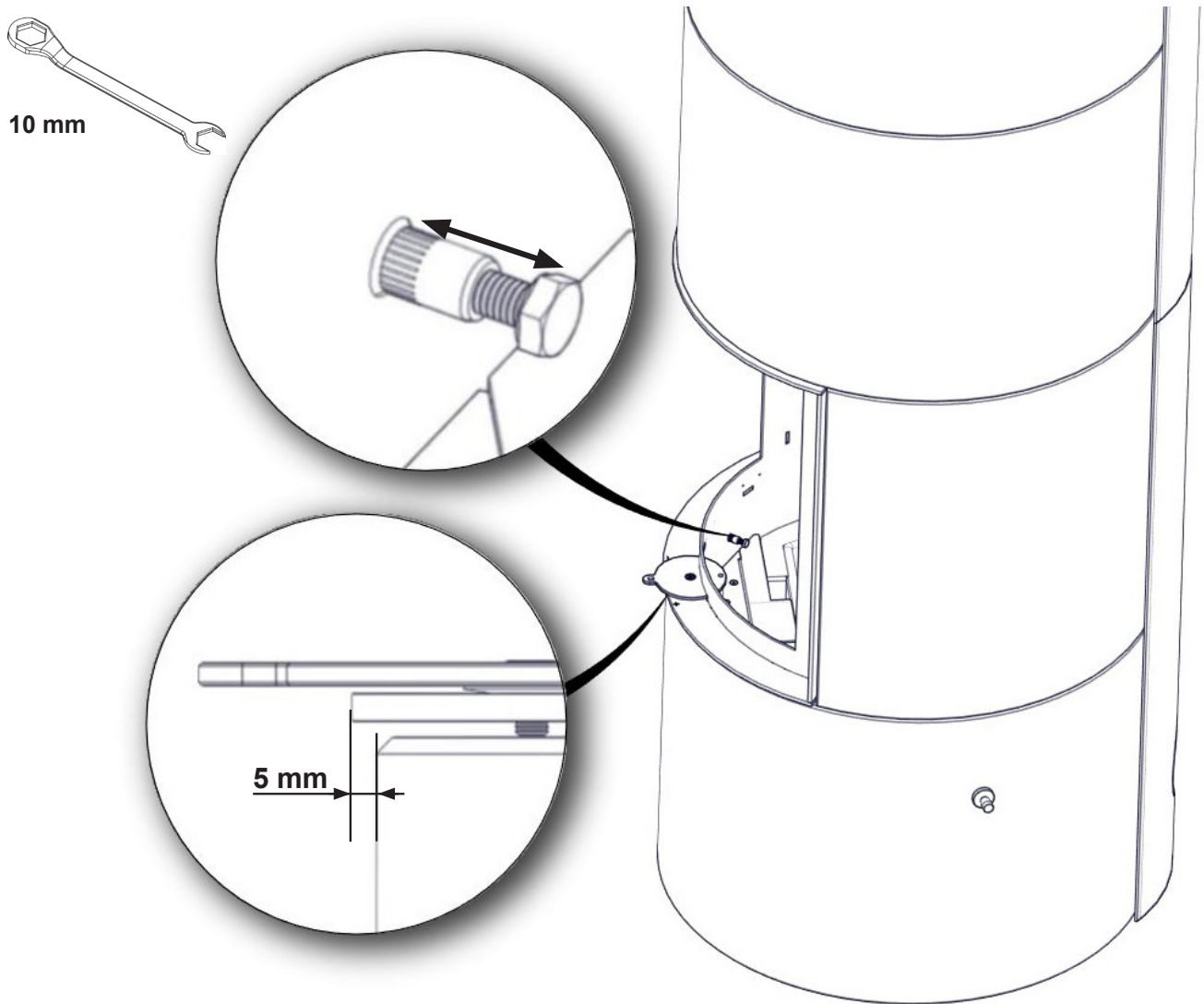


FIG 32

SALZBURG R / SALZBURG R + 1 / SALZBURG R EXTENSION BASE



GB	The distance between the surround and door frame should be equal at the top and the bottom.
FR	La distance entre l'habillage et le cadre de porte doit être la même en haut et en bas. Cette distance peut être ajustée sur le système cadre de porte en dévissant les quatre vis qui maintiennent le cadre.
DE	Der Abstand zwischen Verkleidung und Türrahmen soll oberhalb und unterhalb gleich sein. Dieser Abstand kann am Türrahmensystem durch lösen der 4 Schrauben die den Rahmen halten, justiert werden.

FIG 32 a

SALZBURG R / SALZBURG R + 1 / SALZBURG R EXTENSION BASE

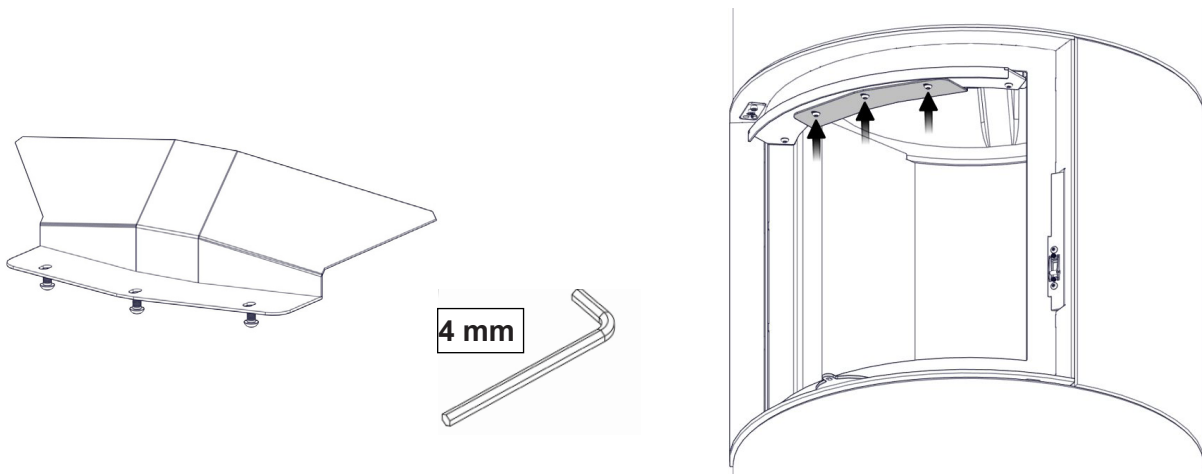


FIG 32 b

SALZBURG R / SALZBURG R + 1 / SALZBURG R EXTENSION BASE

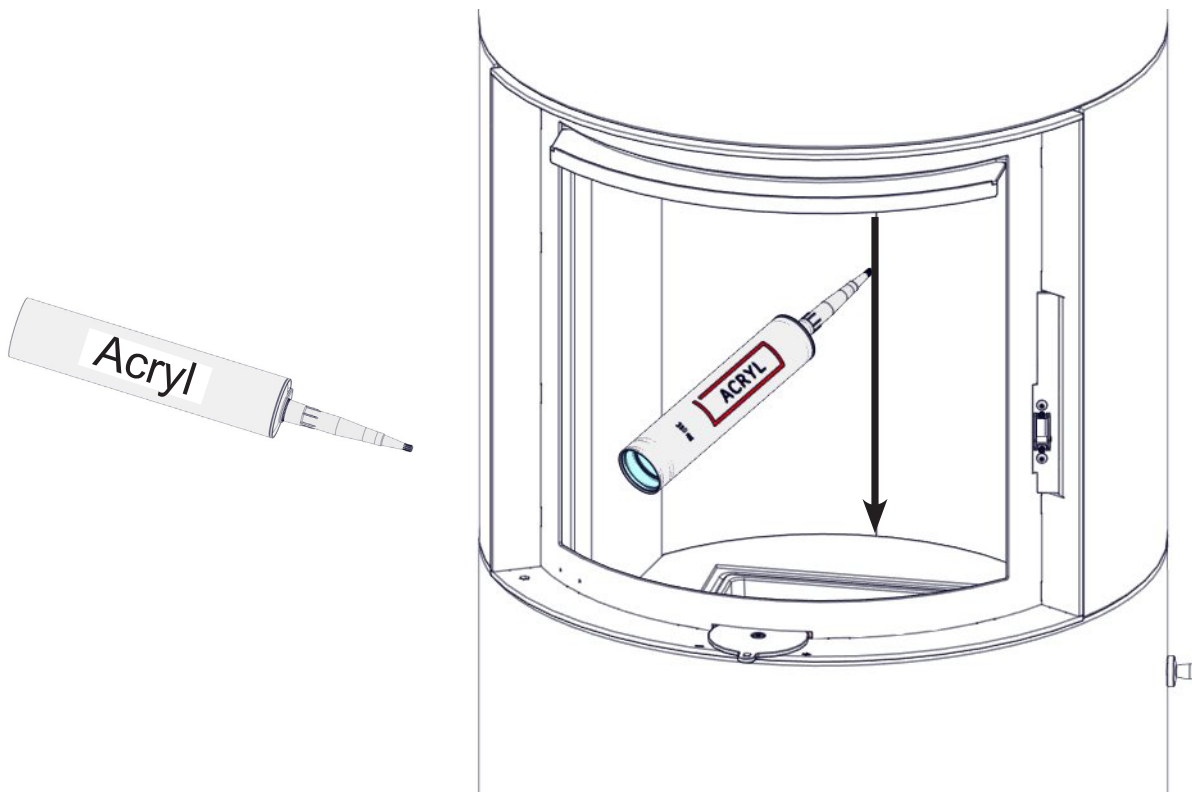


FIG 32 c

SALZBURG R / SALZBURG R + 1 / SALZBURG R EXTENSION BASE

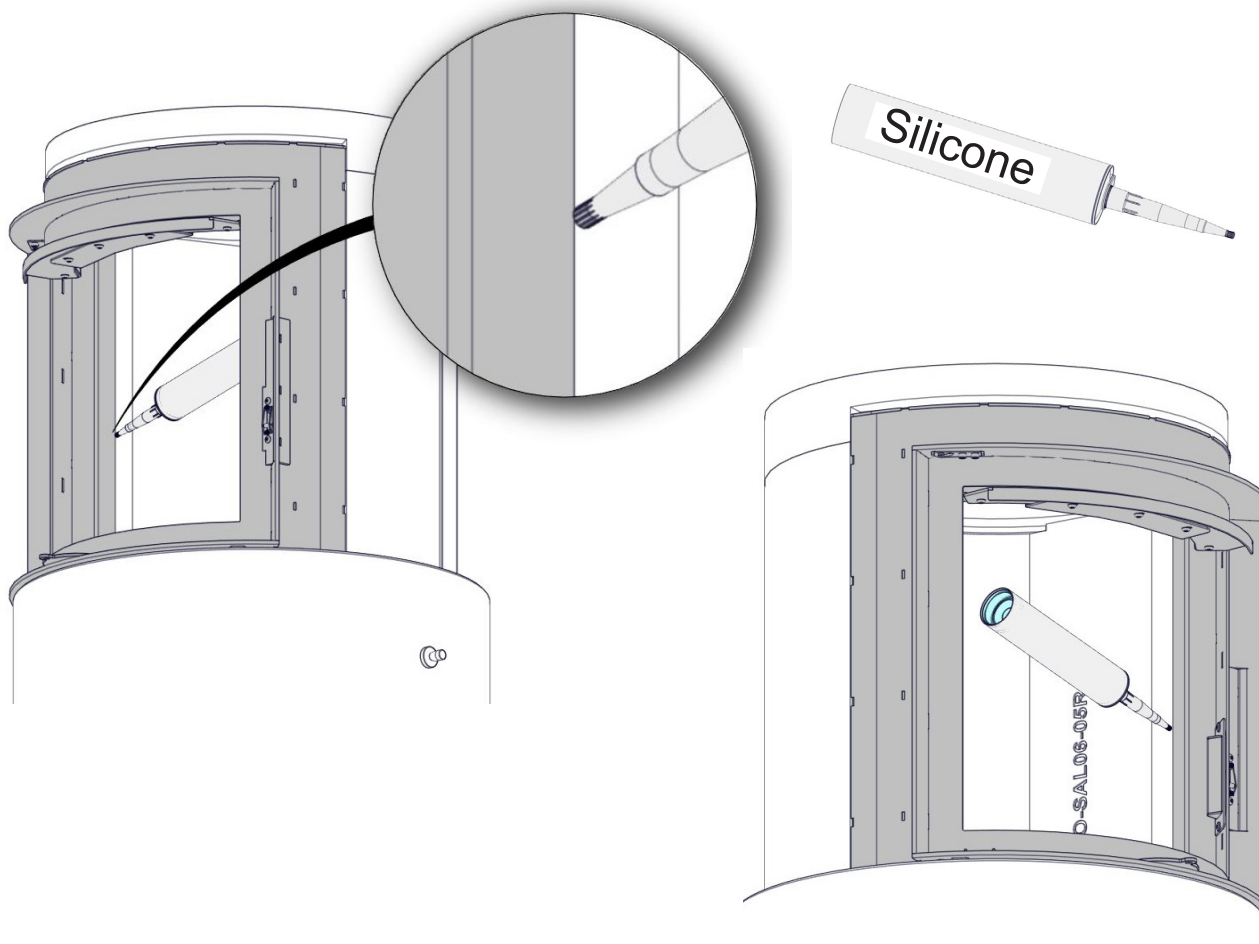


FIG 33

SALZBURG R / SALZBURG R + 1 / SALZBURG R EXTENSION BASE

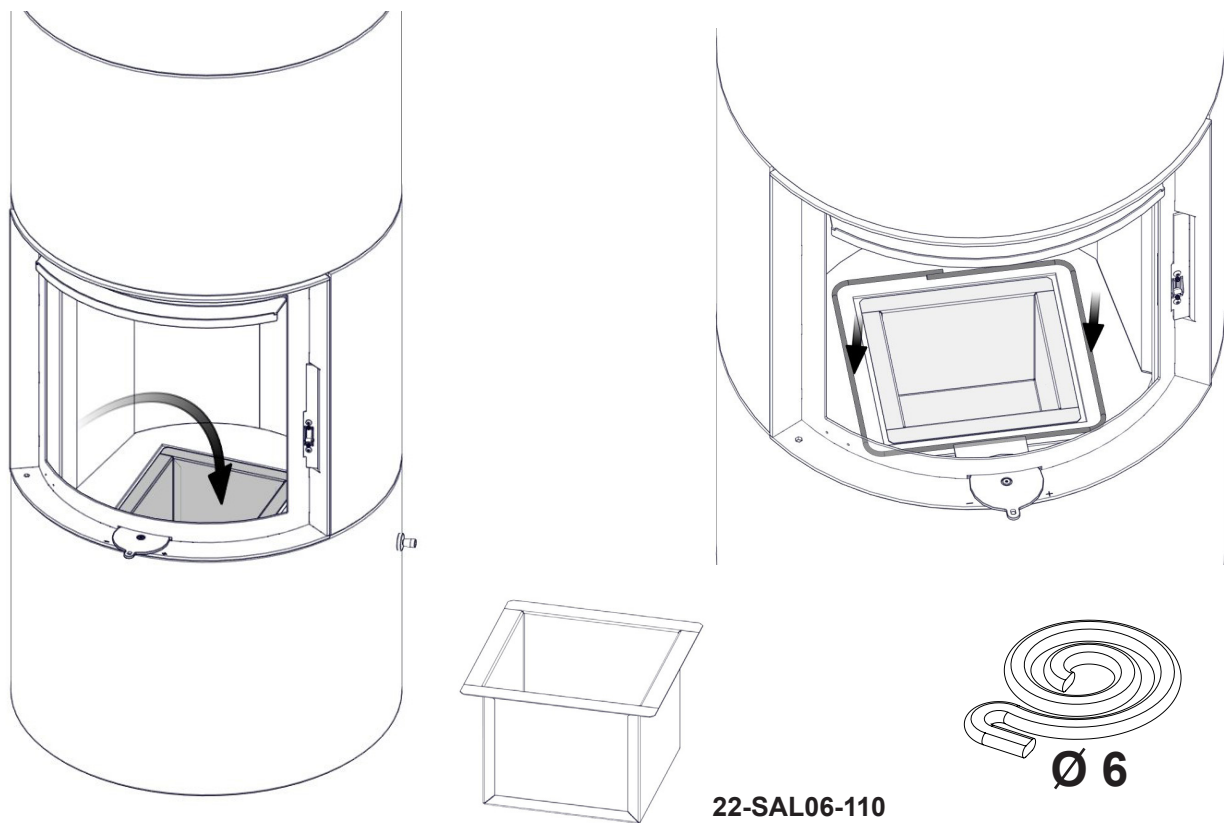


FIG 34

SALZBURG R / SALZBURG R + 1 / SALZBURG R EXTENSION BASE

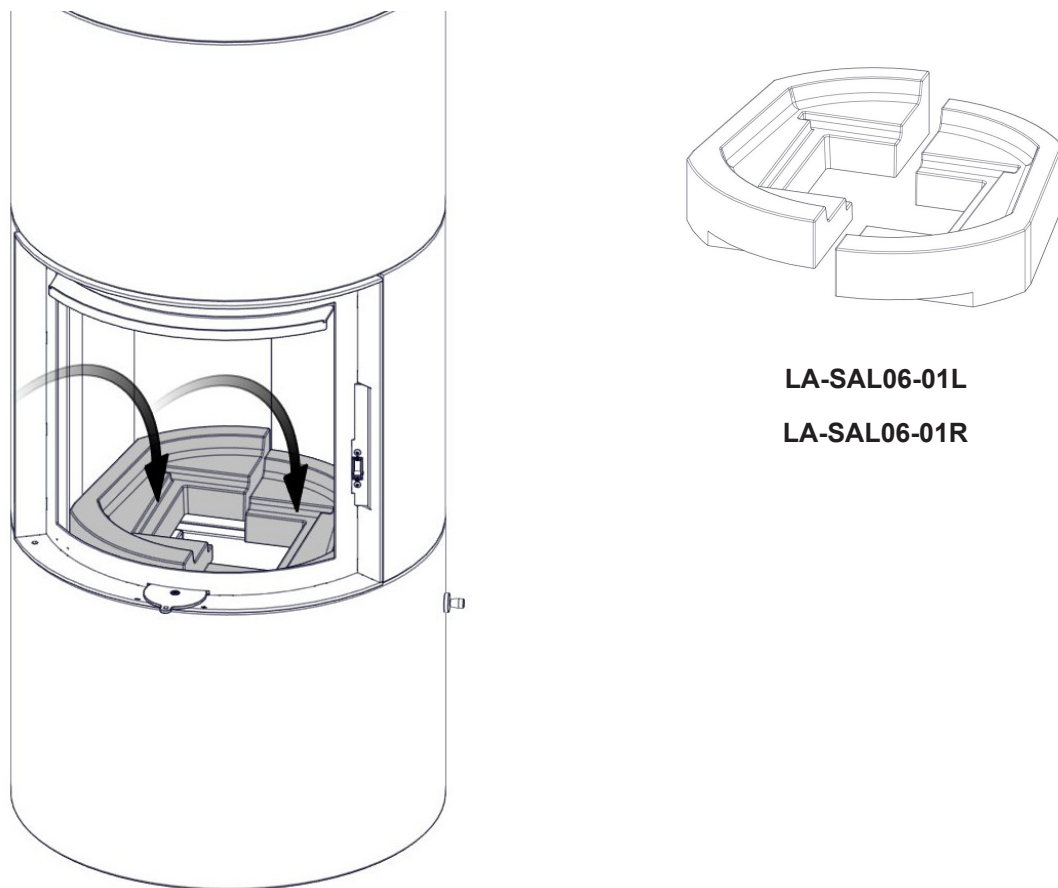


FIG 35

SALZBURG R / SALZBURG R + 1 / SALZBURG R EXTENSION BASE

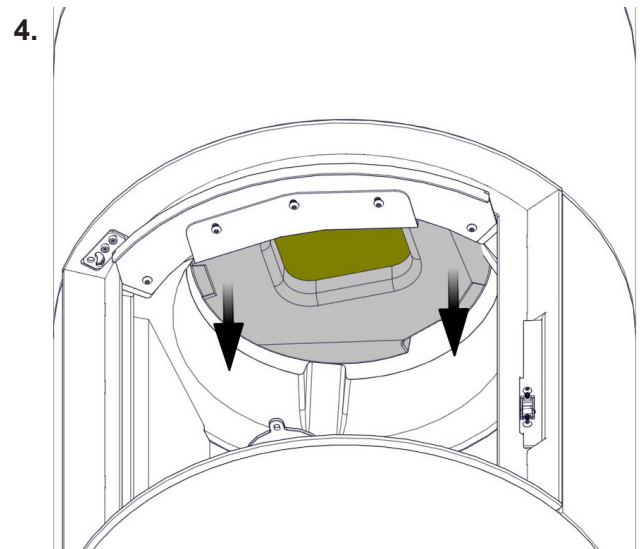
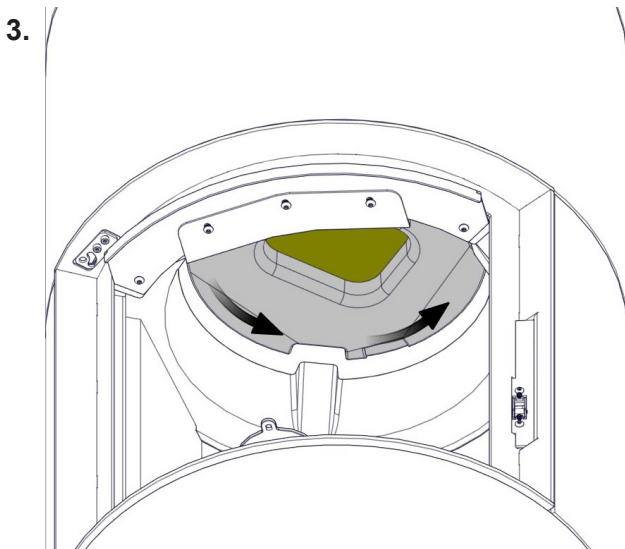
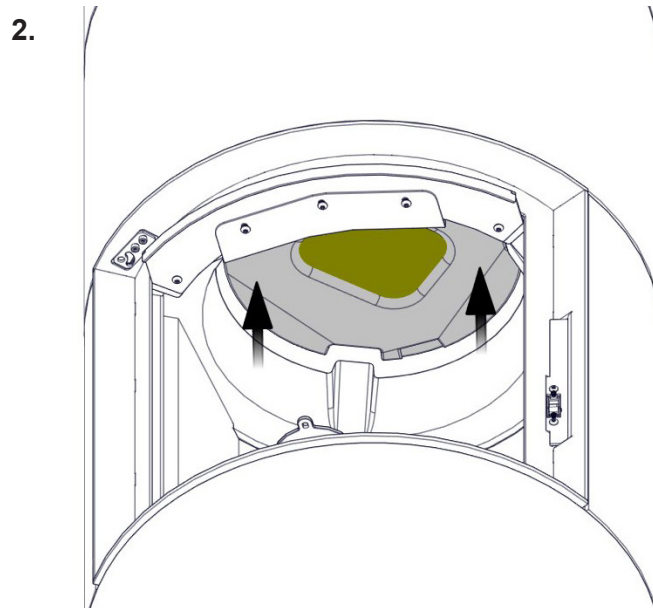
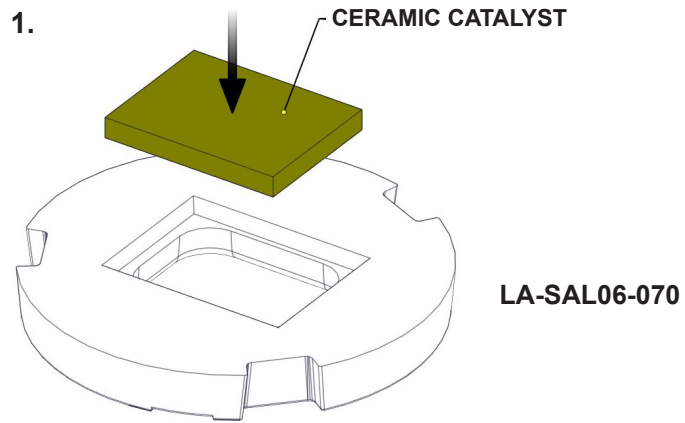
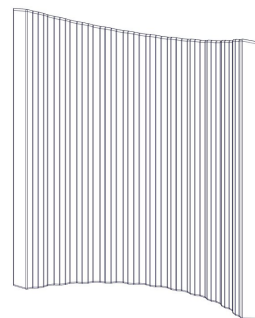
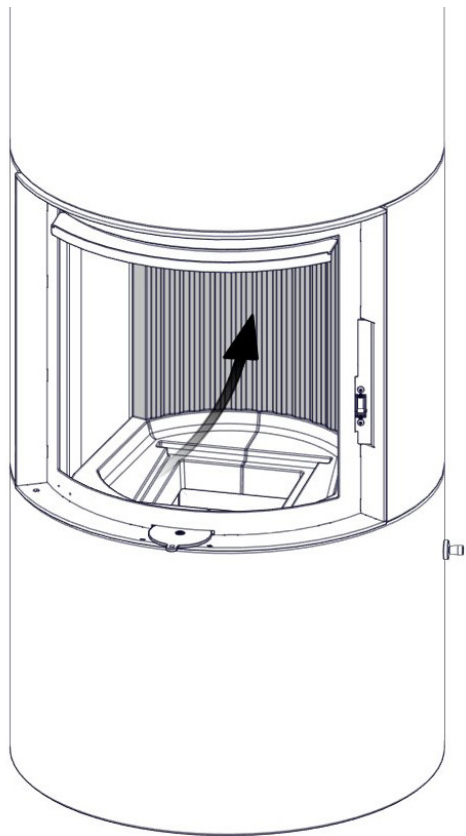


FIG 36

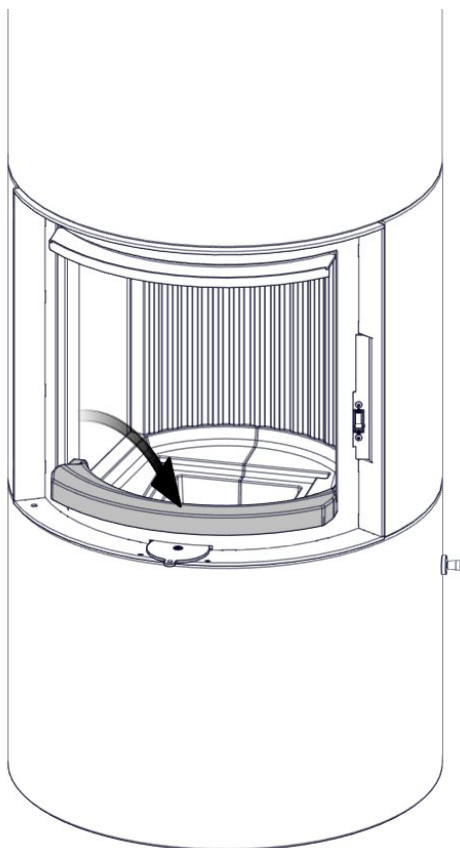
SALZBURG R / SALZBURG R + 1 / SALZBURG R EXTENSION BASE



LA-SAL06-050

FIG 37

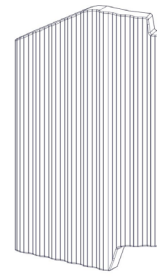
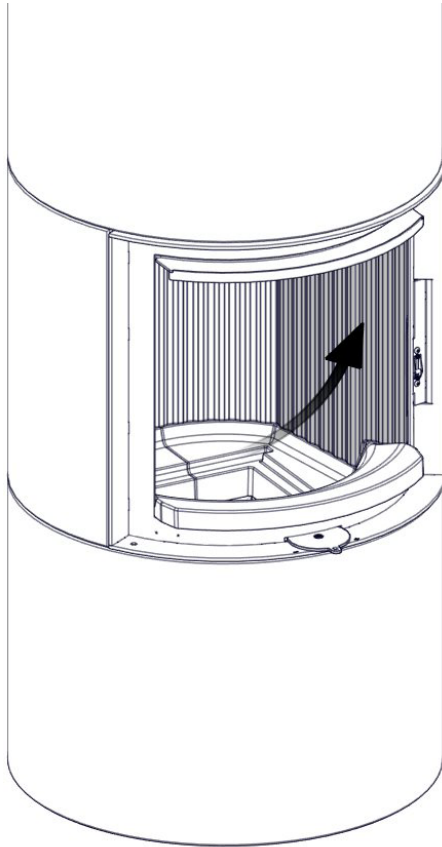
SALZBURG R / SALZBURG R + 1 / SALZBURG R EXTENSION BASE



LA-SAL06-030

FIG 38

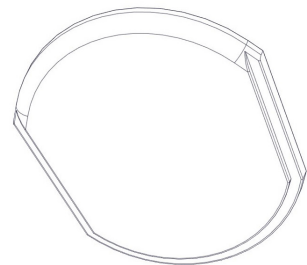
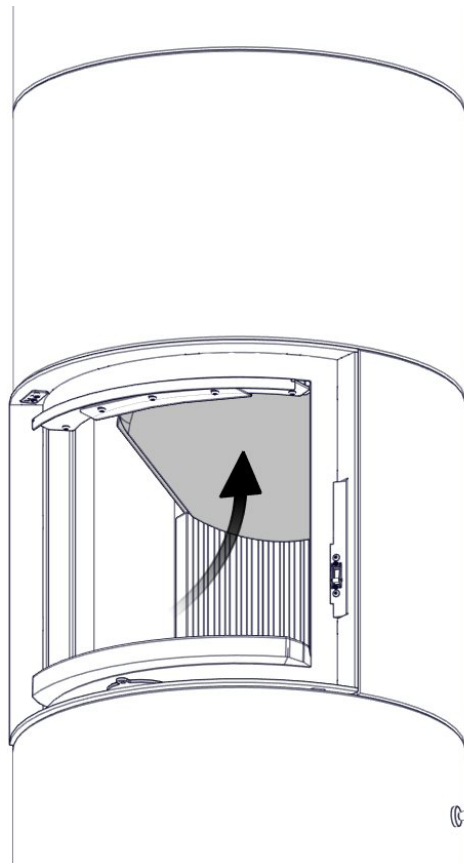
SALZBURG R / SALZBURG R + 1 / SALZBURG R EXTENSION BASE



LA-SAL06-02R

FIG 39

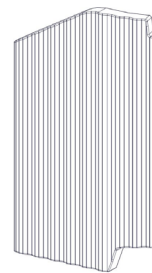
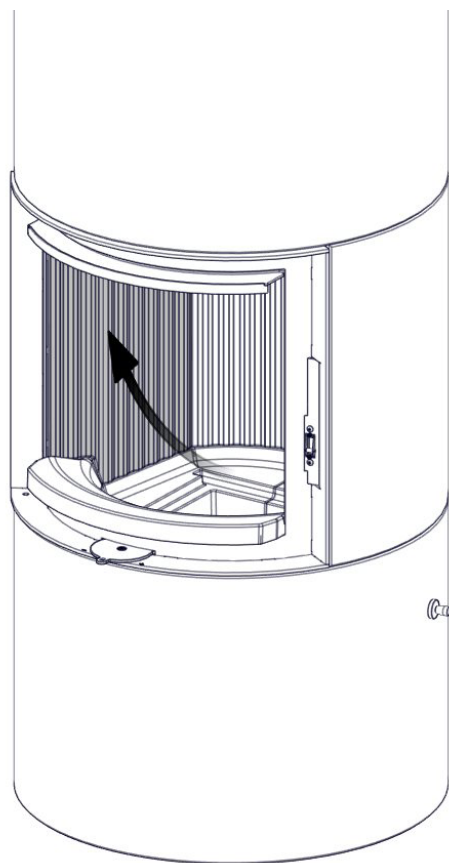
SALZBURG R / SALZBURG R + 1 / SALZBURG R EXTENSION BASE



LA-SAL06-040

FIG 40

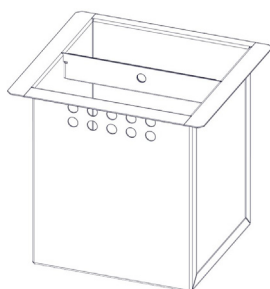
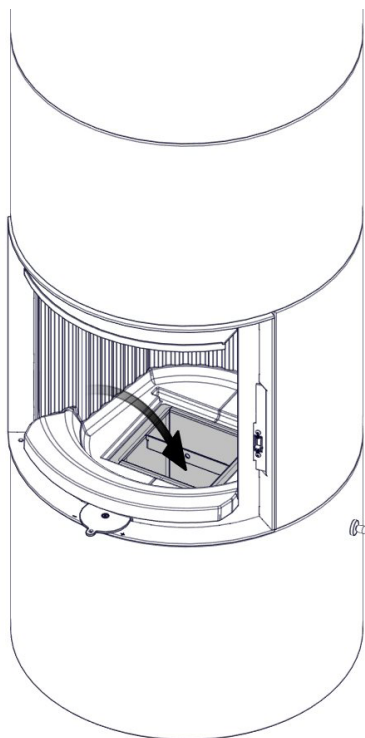
SALZBURG R / SALZBURG R + 1 / SALZBURG R EXTENSION BASE



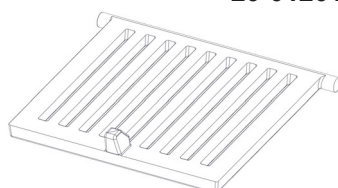
LA-SAL06-02L

FIG 41

SALZBURG R / SALZBURG R + 1 / SALZBURG R EXTENSION BASE



22-SAL06-110



20-01201-019

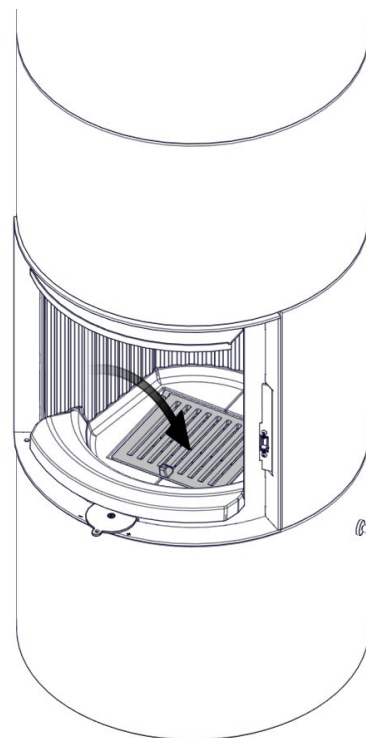


FIG 42

SALZBURG R / SALZBURG R + 1 / SALZBURG R EXTENSION BASE

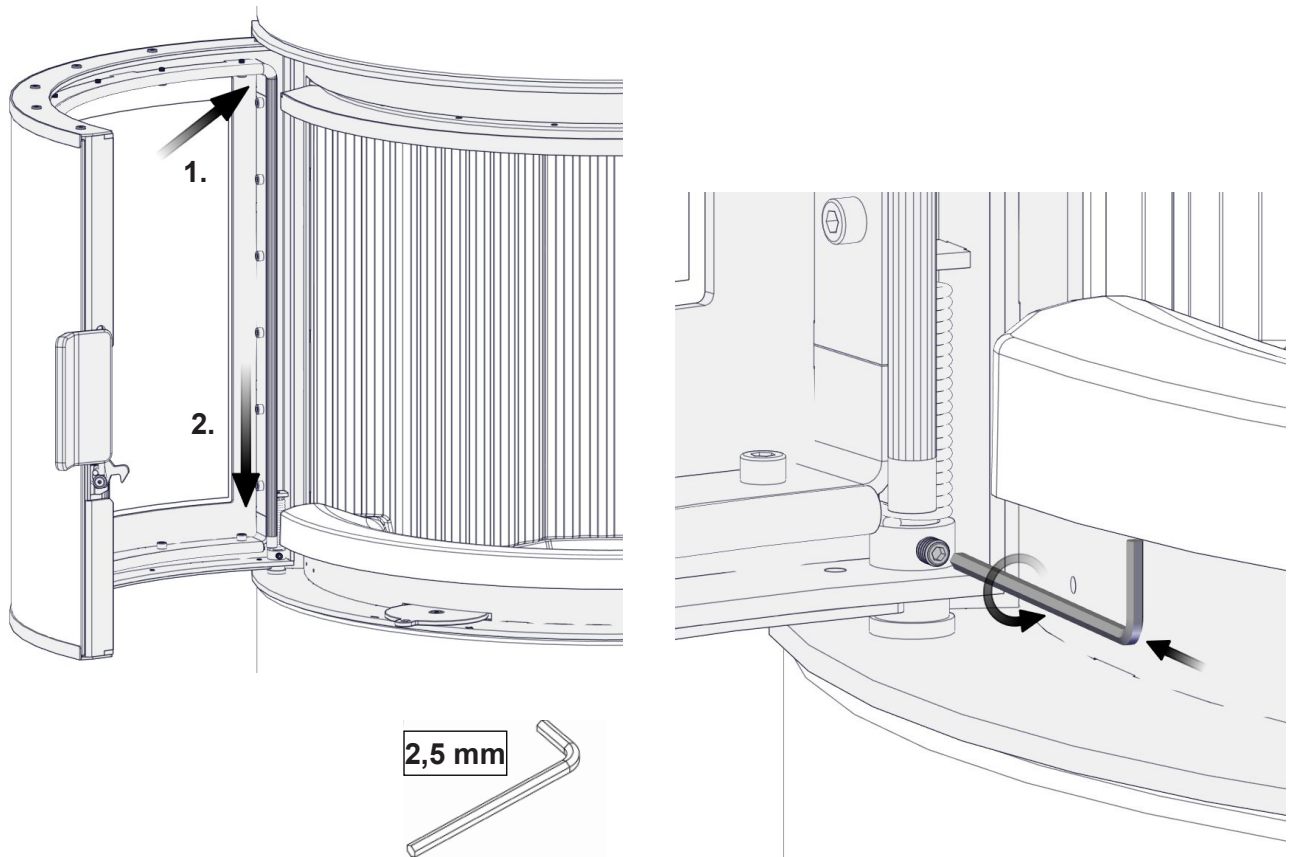


FIG 43

SALZBURG R / SALZBURG R + 1 / SALZBURG R EXTENSION BASE

POSITION OF THE SERIAL NUMBER
POSITION DU NUMÉRO DE SÉRIE
POSITION DER SERIENNUMMER

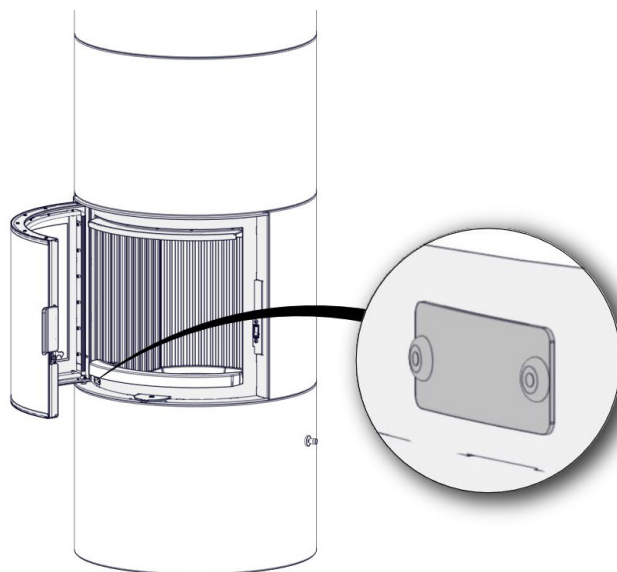
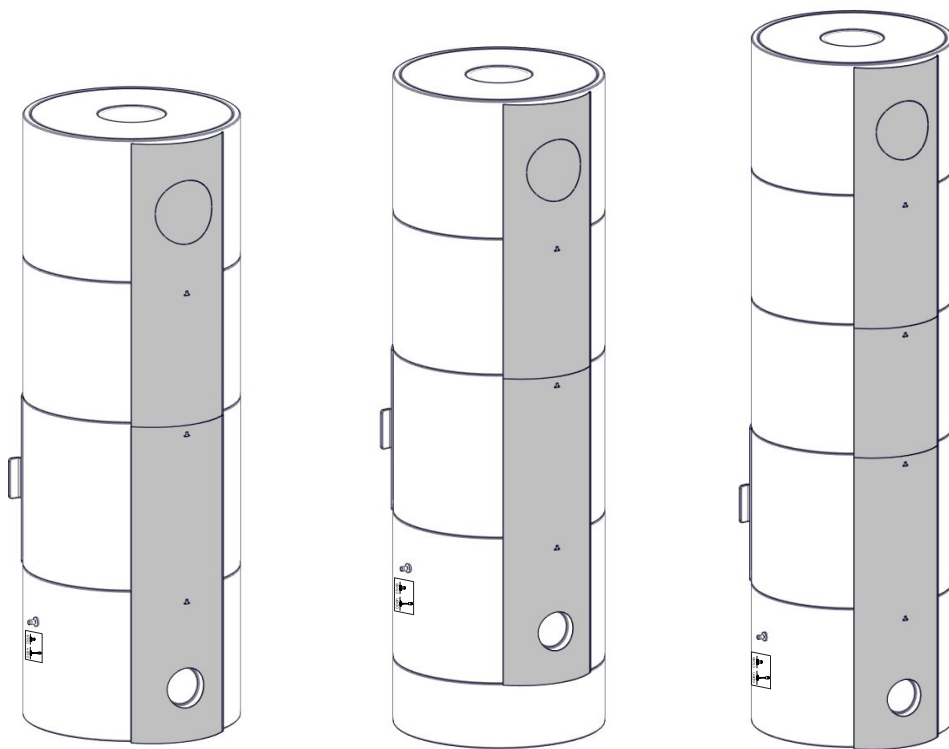
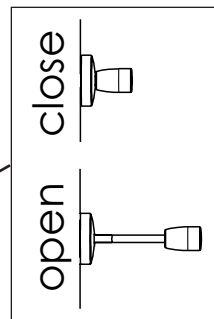
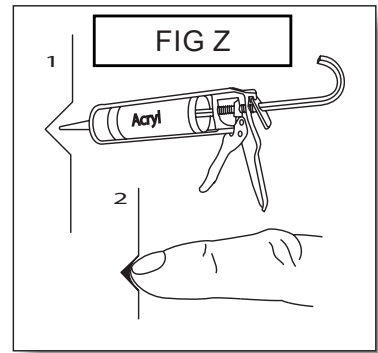
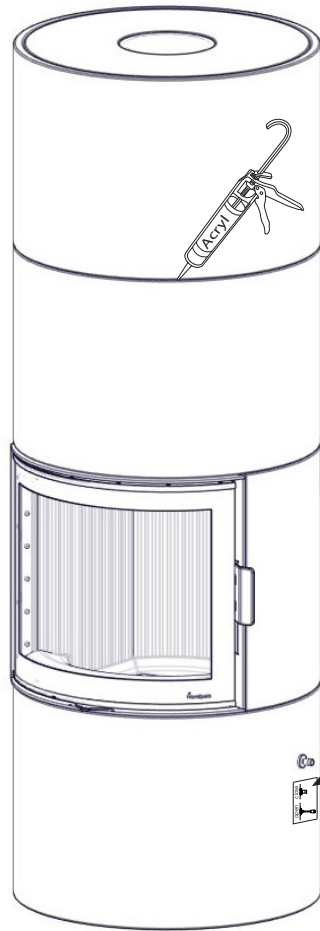


FIG 44

SALZBURG R / SALZBURG R + 1 / SALZBURG R EXTENSION BASE





Declaration of Ecodesign Conformity

This is to declare that Nordpeis Salzburg R and Salzburg R+1 comply to the Ecodesign requirements described in the Commission Regulation, Directive 2015/1185 of the European Parliament and of Council 2009/125/WE for local solid fuel space heaters.

Emission from combustion:		
Carbon monoxide at 13% O ₂	CO:	< 1500 mg / m ³
Oxygen nitride NO _x at 13% O ₂	NO _x :	< 200 mg / m ³
Organic Gaseous Carbon at 13% O ₂	OGC :	< 120 mg / m ³
Particulate Matter at 13% O ₂	PM :	< 40 mg / m ³
Seasonal energy efficiency		> 65 %

The undersigned is responsible for the manufacture and conformity with declared performance.

A handwritten signature in black ink, appearing to read "Stian Varre".


Stian Varre, CEO Nordpeis AS


Technical parameters for solid fuel local space heaters

Model identifier(s): Salzburg R							
Indirect heating functionality: no							
Direct heat output: 2,1 (kW)							
Fuel		Preferred fuel (only one):			Other suitable fuel(s):		
Wood logs with moisture content $\leq 25\%$		yes			no		
Compressed wood with moisture content $< 12\%$		no			no		
Other woody biomass		no			no		
Non-woody biomass		no			no		
Anthracite and dry steam coal		no			no		
Hard coke		no			no		
Low temperature coke		no			no		
Bituminous coal		no			no		
Lignite briquettes		no			no		
Peat briquettes		no			no		
Blended fossil fuel briquettes		no			no		
Other fossil fuel		no			no		
Blended biomass and fossil fuel briquettes		no			no		
Other blend of biomass and solid fuel		no			no		
Characteristics when operating with the preferred fuel							
Seasonal space heating energy efficiency $\eta_s = 74\%$							
Energy Efficiency Index (EEI): 111,8							
Item	Symbol	Value	Unit	Item	Symbol	Value	Unit
Heat output				Useful efficiency (NCV as received)			
Nominal heat output	P_{nom}	2,1	kW	Useful efficiency at nominal heat output	$\eta_{th,nom}$	84	%
Auxiliary electricity consumption				Type of heat output/room temperature control (select one)			
At nominal heat output	$e_{l,max}$		kW	single stage heat output, no room temperature control		yes	
At minimum heat output	$e_{l,min}$		kW	two or more manual stages, no room temperature control		no	
In standby mode	$e_{l,SB}$		kW	with mechanic thermostat room temperature control		no	
				with electronic room temperature control		no	
				with electronic room temperature control plus day timer		no	
				with electronic room temperature control plus week timer		no	
				Other control options (multiple selections possible)			
				room temperature control, with presence detection		no	
				room temperature control, with open window detection		no	
				with distance control option		no	
Permanent pilot flame power requirement							
Pilot flame power requirement (if applicable)	P_{pilot}		kW				
Contact details		Name and address of the supplier: Nordpeis AS, Gjellebekkstubben 11, N-3420 LIERSKOGEN, Norway					

Technical parameters for solid fuel local space heaters

Model identifier(s): Salzburg R+1							
Indirect heating functionality: no							
Direct heat output: 2,3 (kW)							
Fuel	Preferred fuel (only one):			Other suitable fuel(s):			
Wood logs with moisture content ≤ 25 %	yes			no			
Compressed wood with moisture content < 12 %	no			no			
Other woody biomass	no			no			
Non-woody biomass	no			no			
Anthracite and dry steam coal	no			no			
Hard coke	no			no			
Low temperature coke	no			no			
Bituminous coal	no			no			
Lignite briquettes	no			no			
Peat briquettes	no			no			
Blended fossil fuel briquettes	no			no			
Other fossil fuel	no			no			
Blended biomass and fossil fuel briquettes	no			no			
Other blend of biomass and solid fuel	no			no			
Characteristics when operating with the preferred fuel							
Seasonal space heating energy efficiency $\eta_s = 81$ %							
Energy Efficiency Index (EEI): 122							
Item	Symbol	Value	Unit	Item	Symbol	Value	Unit
Heat output				Useful efficiency (NCV as received)			
Nominal heat output	P_{nom}	2,3	kW	Useful efficiency at nominal heat output	$\eta_{th,nom}$	91	%
Auxiliary electricity consumption				Type of heat output/room temperature control (select one)			
At nominal heat output	$e_{l,max}$		kW	single stage heat output, no room temperature control		yes	
At minimum heat output	$e_{l,min}$		kW	two or more manual stages, no room temperature control		no	
In standby mode	$e_{l,SB}$		kW	with mechanic thermostat room temperature control		no	
				with electronic room temperature control		no	
				with electronic room temperature control plus day timer		no	
				with electronic room temperature control plus week timer		no	
				Other control options (multiple selections possible)			
				room temperature control, with presence detection		no	
				room temperature control, with open window detection		no	
				with distance control option		no	
Permanent pilot flame power requirement							
Pilot flame power requirement (if applicable)	P_{pilot}		kW				
Contact details	Name and address of the supplier: Nordpeis AS, Gjellebekkstubben 11, N-3420 LIERSKOGEN, Norway						

Nordpeis AS Gjellebekkstubben 11 3420 Lierskogen, Norway <i>SalzR-CPR-2023/02/27</i>			
Salzburg R		EN 15250:2007	
Heating of living accomodation / Raumheizer für feste Brennstoffe für Wohnbauten Year of Approval / Zulassungsjahr 2023			
Fire safety	Feuersicherheit :		
Reaction to fire:	Brandverhalten:	A1	
Distance to combustible:	Abstand zu brennbaren Materialien:		
Behind:	Hinten:	30/200 mm (*)	
Beside:	Seitlich:	450 mm	
Flue gas temperature:	Abgastemperatur:	195 °C	
Emission of combustion:	Emissionswerte:		
	CO	<1500 mg/m ³	
	NOx	< 200 mg/m ³	
	OGC	< 120 mg/m ³	
	PM	< 40 mg/m ³	
Thermal Output:	Gesamtwärmeleistung:	36,85 kWh	
Heat output:	Gesamtwärmeabgabe:	132660 kJ	
Thermal storage capacity:	Wärmespeicherkapazität:		
	100% after / nach 4,0h	100% after / nach 4,0h	
	50% after / nach 11,2h	50% after / nach 11,2h	
	25% after / nach 17,9h	25% after / nach 17,9h	
Energy efficiency:	Wirkungsgrad:	84%	
Nominal heat output during discharge period:	Nennwärmeleistung während des Entladungszeitraums:	2,1 kW	
Surface temperature:	Oberflächentemperatur:	Pass /	Bestanden
Cleanability:	Mechanischer Widerstand:	Pass /	Bestanden
Mechanical resistance:	Reinigungsfähigkeit:	Pass /	Bestanden
Maximum recommended chimney weight /	Das empfohlene Schornsteingewicht:	300 kg	
Fuel type	Brennstoff	Wood logs /	Scheitholz
Intermittent burning / Zeitbrandfeuerstätte (*) Read and follow the manual / Lesen und befolgen Sie die Bedienungsanleitung Double allocation is acceptable/ Mehrfachbelegung des Schornsteins ist möglich			
Complies with / Entspricht folgenden Standards: BImSchV 1, 2; LRV of Switzerland Flamme Verte		Test report / Prüfbericht Nr. RRF – 50 22 6158 SN:	

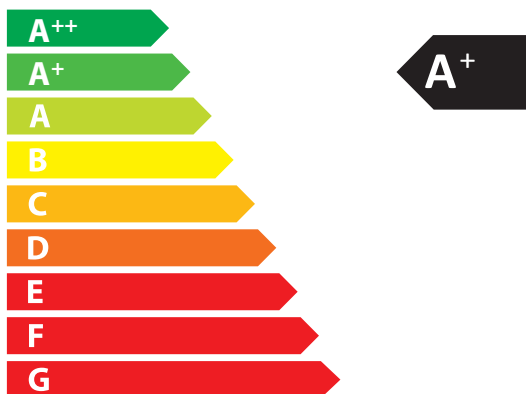
Nordpeis AS Gjellebekkstubben 11 3420 Lierskogen, Norway <i>SalzR1-CPR-2023/02/10</i>			
Salzburg R + 1		EN 15250:2007	
Heating of living accomodation / Raumheizer für feste Brennstoffe für Wohnbauten Year of Approval / Zulassungsjahr 2023			
Fire safety	Feuersicherheit :		
Reaction to fire:	Brandverhalten:	A1	
Distance to combustibile:	Abstand zu brennbaren Materialien:		
Behind:	Hinten:	30/200 mm (*)	
Beside:	Seitlich:	450 mm	
Flue gas temperature:	Abgastemperatur:	129 °C	
Emission of combustion:	Emissionswerte:		
	CO	<1500 mg/m ³	
	NOx	< 200 mg/m ³	
	OGC	< 120 mg/m ³	
	PM	< 40 mg/m ³	
Thermal Output:	Gesamtwärmeleistung:	39,10 kWh	
Heat output:	Gesamtwärmeabgabe:	140760 kJ	
Thermal storage capacity:	Wärmespeicherkapazität:		
	100% after / nach 3,6h		
	50% after / nach 10,8h		
	25% after / nach 17,1h		
Energy efficiency:	Wirkungsgrad:	91%	
Nominal heat output during discharge period:	Nennwärmeleistung während des Entladungszeitraums:	2,3kW	
Surface temperature:	Oberflächentemperatur:	Pass / Bestanden	
Cleanability:	Mechanischer Widerstand:	Pass / Bestanden	
Mechanical resistance:	Reinigungsfähigkeit:	Pass / Bestanden	
Maximum recommended chimney weight /	Das empfohlene Schornsteingewicht:	300 kg	
Fuel type	Brennstoff	Wood logs / Scheitholz	
Intermittent burning / Zeitbrandfeuerstätte (*) Read and follow the manual / Lesen und befolgen Sie die Bedienungsanleitung Double allocation is acceptable/ Mehrfachbelegung des Schornsteins ist möglich			
Complies with / Entspricht folgenden Standards: BImSchV 1, 2; LRV of Switzerland Flamme Verte		Test report / Prüfbericht Nr. RRF – 50 22 6249 SN:	



ENERG Y IJA
енергия · ενεργεια IE IA

Nordpeis AS.

Nordpeis Salzburg R



2,1
kW

ENERGIA · ЕНЕРГИЯ · ΕΝΕΡΓΕΙΑ · ENERGIJA · ENERGY · ENERGIE · ENERGI

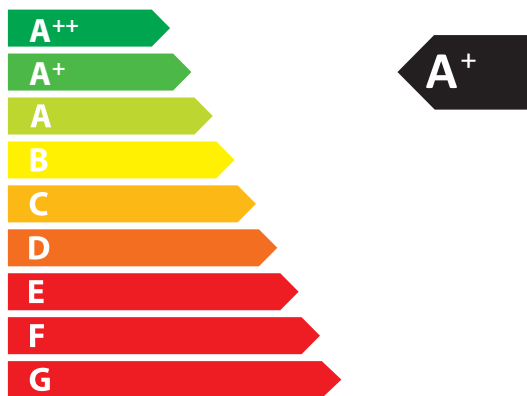
2015/1186



ENERG Y IJA
енергия · ενεργεια IE IA

Nordpeis AS.

Nordpeis Salzburg R+1



2,3
kW

ENERGIA · ЕНЕРГИЯ · ΕΝΕΡΓΕΙΑ · ENERGIJA · ENERGY · ENERGIE · ENERGI

2015/1186

 Nordpeis

Nordpeis AS, Gjellebekkstubben 9-11, N-3420 LIERSKOGEN, Norway
www.nordpeis.com